



ITEM CODE: DC6424 & DC6424BC

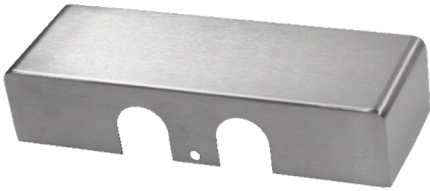
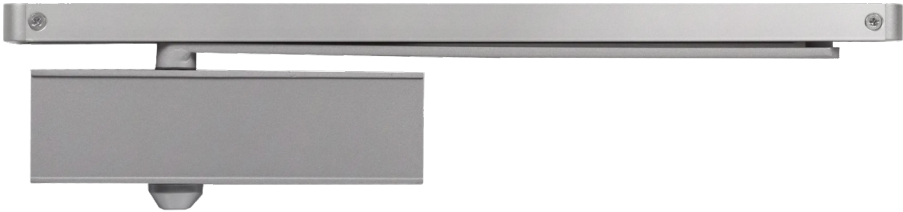
EN 1154
EN 1634-1  CE

Features:

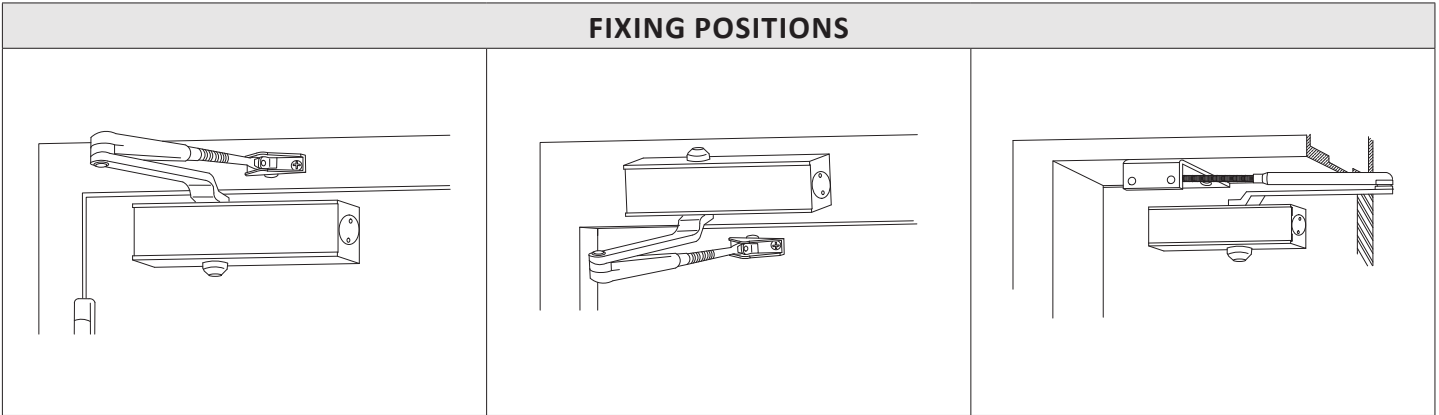
- Adjustable power size EN2/EN3/EN4 (by template position).
- Standard adjustable sweep/speed and latching valves.
- CE marked: 0905-CPR-000524-01 & 0359-CPR-000524.
- Tested and certified to BS EN 1154:1996/A1:2002/AC: 2006 & BS EN 1634-1:2014.
- DoP (Declaration of Performance) available on website or on request.
- Standard in package: FIG1 (standard arm pull side), FIG61 (standard arm push side) and bracket for FIG66 (parallel arm push side).
- Optional hold open arm (not recommended for fire rated doors).
- Maximum angle of operation: 180°. Closer projection 39 mm.
- Optional feature: guide rail, SSS cover and backcheck.
- Door weight up to 80 kgs, door width up to 1100 mm.
- Durability: 500 000 cycles.
- Cast Aluminium body.
- Standard finish: Silver (Aluminium-SE, US28,689).
- Other finishes are available upon request.
- Door closer Classification:



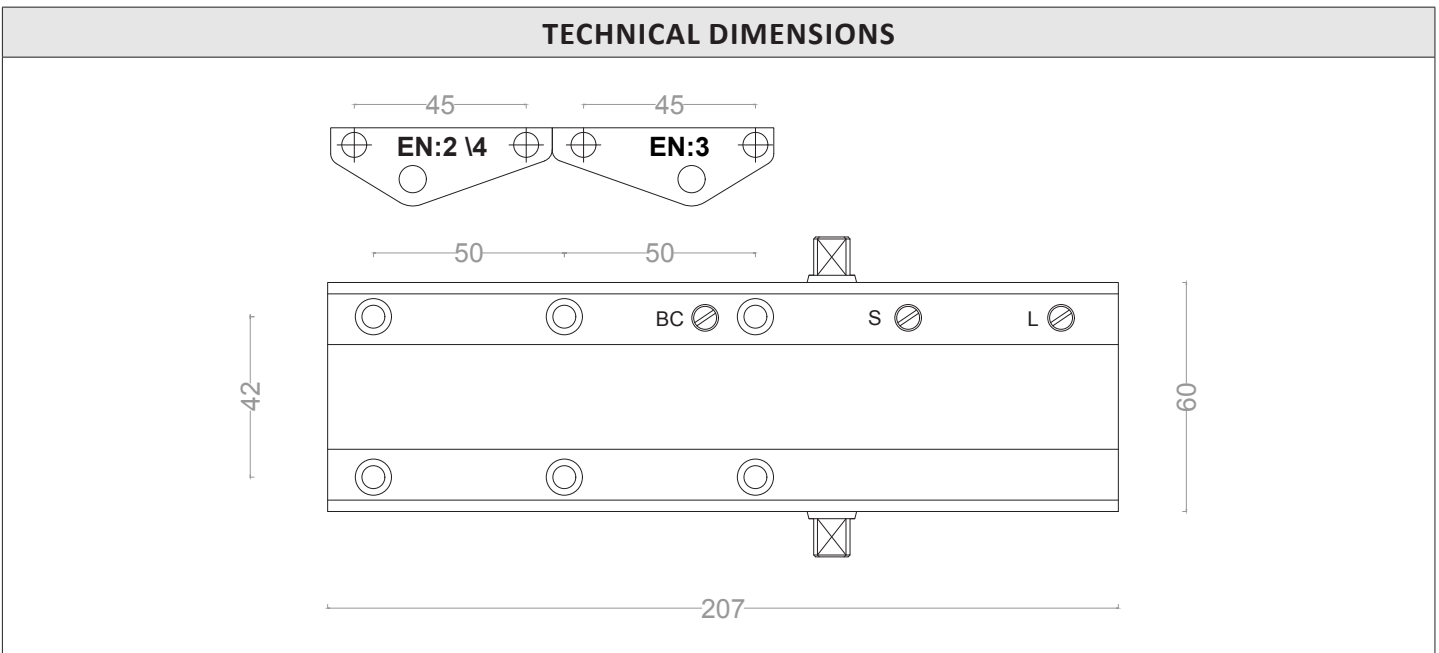
CATEGORY OF USE	NUMBER OF TEST CYCLES	TEST DOOR MASS/SIZE	FIRE BEHAVIOUR	SAFETY	CORROSION RESISTANCE
4	8	2/4	1	1	3

SSS COVER	DC6424BC + DC6424-GR
	

FIXING POSITIONS



TECHNICAL DIMENSIONS



SELECTION CHART

MODEL #	POWER SIZE	REMARK
DC6424BC	2-4 (BY TEMPLATE)	BACKCHECK

PARALLEL ARM BRACKET	GUIDE RAIL	HOLD OPEN ARM

ITEM CODE: DC6626BC RANGE



Features:

- Adjustable power size 2-6
- Standard adjustable sweep/speed, latching and backcheck.
- CE marked: 0905-CPR-000525-01 & 0359-CPR-000525.
- Tested and certified to BS EN 1154:1996/A1:2002/AC: 2006 & BS EN 1634-1:2014.
- Available with slide arm/guide rail
- DoP (Declaration of Performance) available on website or on request.
- Standard packaging: FIG1 (standard arm push side), FIG61 (standard arm pull side) and bracket for FIG66 (parallel arm pull side).
- Optional hold open arm (not recommended for fire doors)
- Maximum angle of operation: 180°. Closer projection 46 mm.
- Optional feature: guide rail, SSS cover and delayed action.
- Door weight up to 120 kgs, door width up to 1400 mm.
- Durability: 500 000 cycles.
- Cast Aluminium body.
- Standard finish: Silver (Aluminium-SE, US28,689). Other finishes are available upon request.

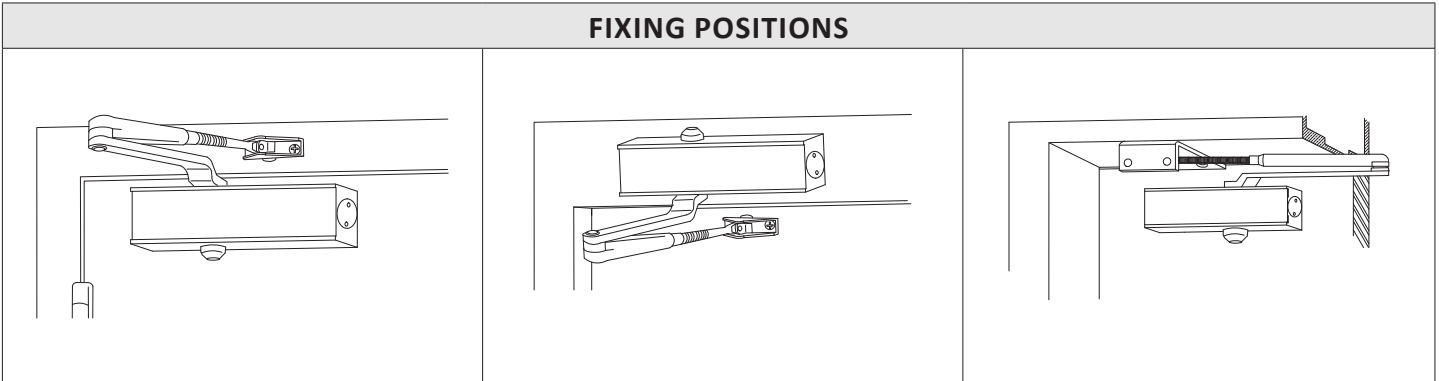


Door closer Classification:

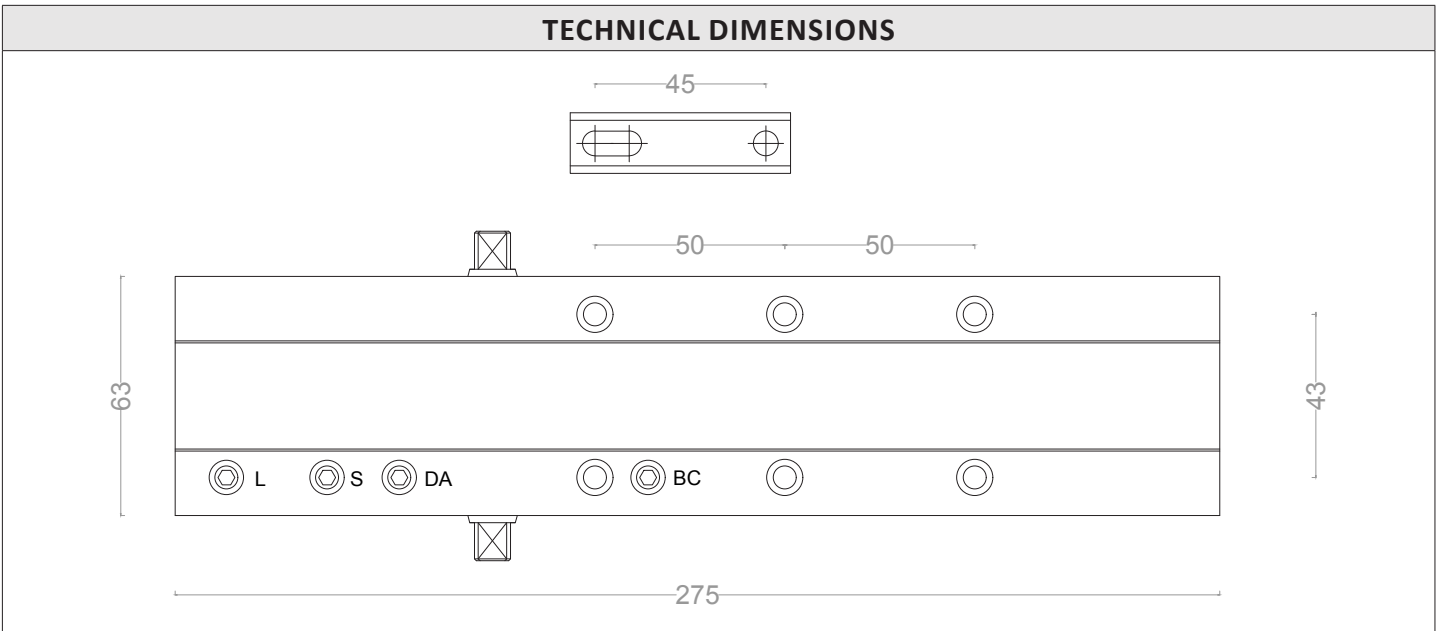
CATEGORY OF USE	NUMBER OF TEST CYCLES	TEST DOOR MASS/SIZE	FIRE BEHAVIOUR	SAFETY	CORROSION RESISTANCE
4	8	6	1 ^B	1	3
		2 ^A			

PARALLEL ARM BRACKET	GUIDE RAIL	HOLD OPEN ARM
		

FIXING POSITIONS

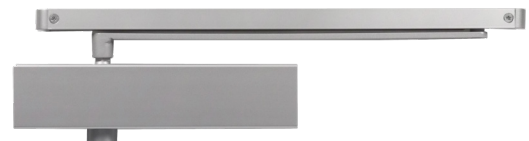


TECHNICAL DIMENSIONS



SELECTION CHART

MODEL #	POWER SIZE	REMARK
DC6626BCDA	2-6	BACKCHECK AND DELAYED ACTION
DC6626BC	2-6	BACKCHECK
DC6626BC-G	2-6	BACKCHECK, HOLD OPEN & GUIDE RAIL (EFFECTIVE POWER SIZE 2-4 DUE TO SLIDE ARM INSTALLATION)



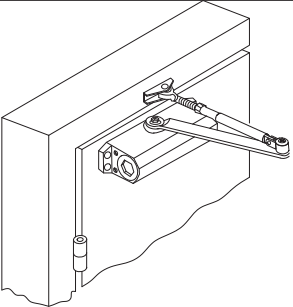
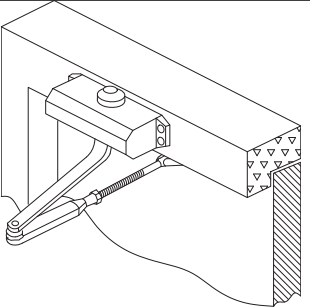
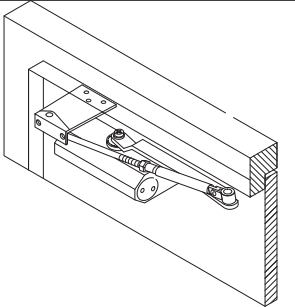
ITEM CODE: DCR RANGE



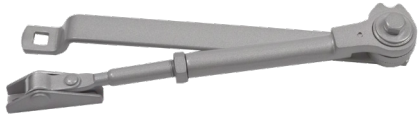


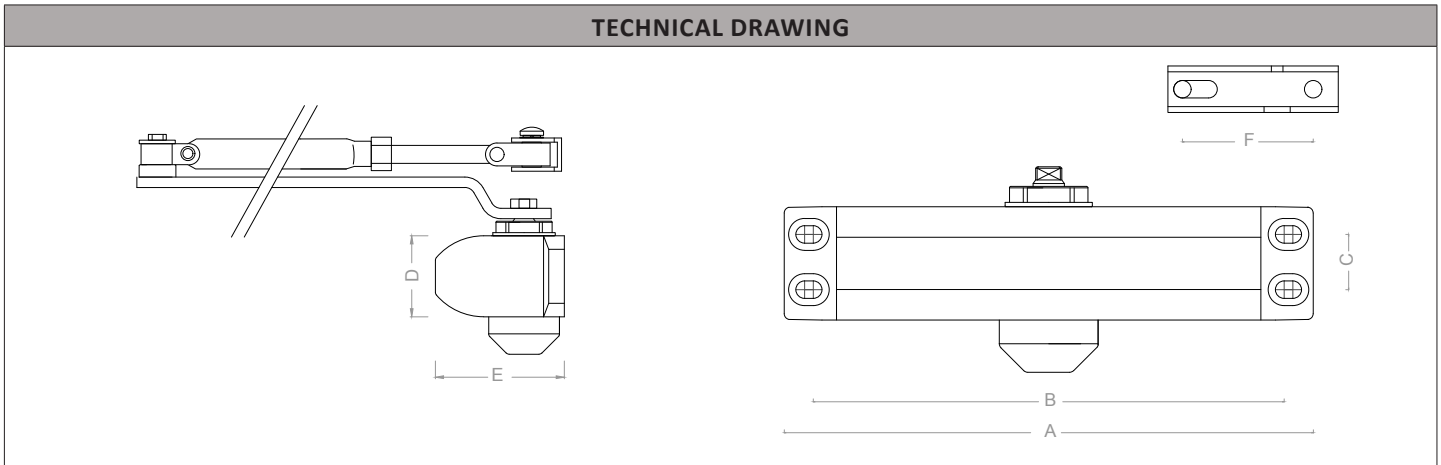
Features:

- Fixed power size 2/3/4/5/ or 6.
- Power size by template (2,3 and 4 for DCR3).
- Adjustable close/sweep and latch speed.
- UL listed. UL10C up to 3 hours fire rated.
- Fire rated up to 4 hours to EN 1634-1:2014 (E and EI fire doors).
- UL file number: GVEV.R39005
- Non-handed.
- High strength die cast aluminium body
- Standard package: Regular and top jamb installation.
- Optional mounting: Parallel bracket for parallel arm installation. Hold open arm for DCR2 & DCR3.
- Optional: ABS cover
- Standard finish: Silver (Aluminium-SE).
- Other finishes are available upon request.



FIG1	FIG61	FIG66
		
REGULAR ARM INSTALLATION CLOSER IS INSTALLED ON PULL/HINGE SIDE OF DOOR	TOP JAMB INSTALLATION CLOSER IS INSTALLED ON FRAME ON PUSH/STOP SIDE OF DOOR	PARALLEL ARM INSTALLATION CLOSER IS INSTALLED ON PUSH/STOP SIDE OF DOOR

PARALLEL ARM BRACKET	ABS COVER	HOLD OPEN ARM FOR DCR2 & DCR3
		

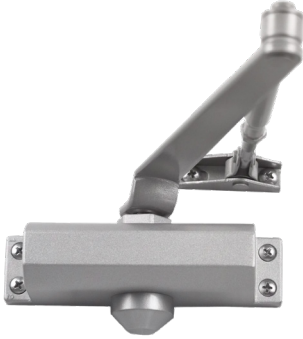


A.	LENGTH OF CLOSER BODY	B.	HORIZONTAL MOUNTING HOLES SPACING
C.	VERTICAL MOUNTING HOLES SPACING	D.	CLOSER BODY HEIGHT
E.	PROJECTION FROM DOOR	F.	ARM SHOE SPACING

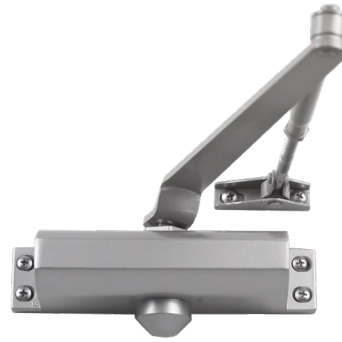
Model#	TECHNICAL DIMENSIONS MINIMUM - MAXIMUM WIDTH OF DOOR (MM)						CLOSER SIZE	STANDARD & TOP JAMB		MAX. DOOR WEIGHT (KG)
	A	B	C	D	E	F		INTERIOR	EXTERIOR OR VESTIBULE DOORS	
	DCR2	147	132	19	36	56		44	2	
DCR3	178	162	19	39	62	44	3	863.6 to 965.5	609 to 762	45
DCR4	204	188	19	42	71	44	4	965.5 to 1219.2	762 to 914.4	57
DCR5	226	208	19	16	72	44	5	1219.2 to 1371.6	914.4 to 1066.8	70
DCR6	248	230	19	46	72	44	6	1371.6 to 1524	1066.8 to 1219.2	82

Model#	TECHNICAL DIMENSIONS MINIMUM - MAXIMUM WIDTH OF DOOR (MM)						CLOSER SIZE	PARALLEL ARM		MAX. DOOR WEIGHT (KG)
	A	B	C	D	E	F		INTERIOR	EXTERIOR OR VESTIBULE DOORS	
	DCR2	147	132	19	36	56		44	2	
DCR3	178	162	19	39	62	44	3	609 to 863.6		36
DCR4	204	188	19	42	71	44	4	863.6 to 965.5	609 to 762	45
DCR5	226	208	19	16	72	44	5	965.5 to 1219.2	762 to 914.4	57
DCR6	248	230	19	46	72	44	6	1219.2 to 1371.6	914.4 to 1066.8	70

DCR2 - HOLES PATTERN: 132X19 MM



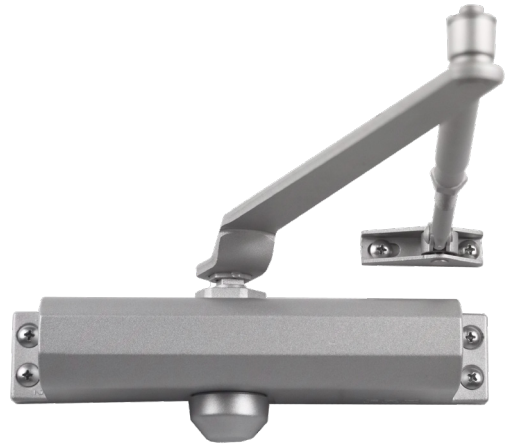
DCR3- HOLES PATTERN: 165X19 MM



DCR4- HOLES PATTERN: 188X19 MM



DCR5- HOLES PATTERN: 208X19 MM



DCR6- HOLES PATTERN: 230X19 MM

