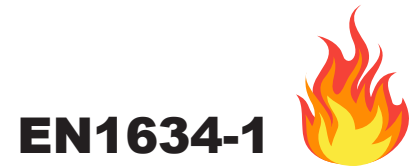


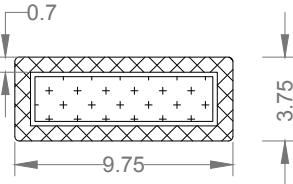
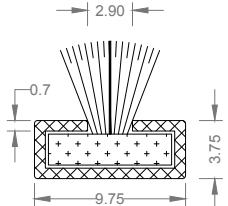
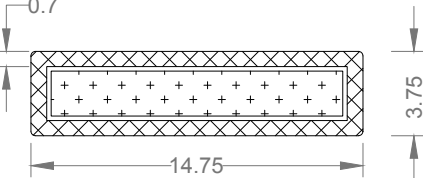
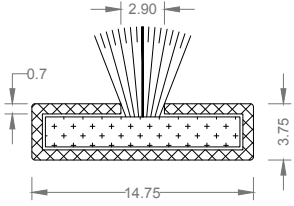
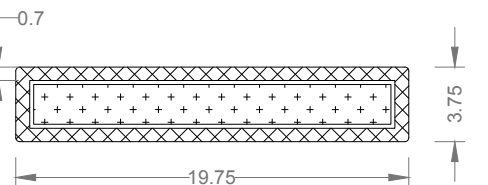
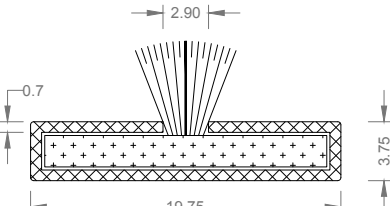
SEALS

ITEM CODE: DCIS series

Features:

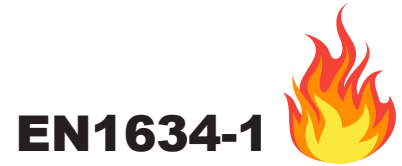


- Intumescent seals
- Area of application: For wooden or metal doors
- Material: Intumescent fire seal in a rigid PVC casing for use on fire resisting doors and doors frames.
- Available: DCIS1040B or DCIS1040W (10x4 mm), DCIS1540B or DCIS1540W (15x4 mm) and DCIS2040B or DCIS2040W (20x4 mm).
- Available with brush (smoke resistance): DCIS1040BB or DCIS1040BW (10x4 mm), DCIS1540BB or DCIS1540BW (15x4 mm), DCIS2040BB or DCIS2040BW (20x4 mm).
- Location: Mortise into the doorframe and around stiles and head.
- Fixing: Self-adhesive.
- Approval: BS EN 1634-1: 2014
- Standard finish: Brown (B) and White (W). Other finishes are available upon request.

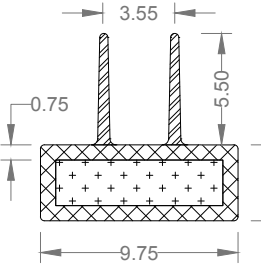
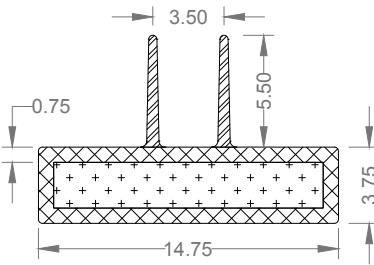
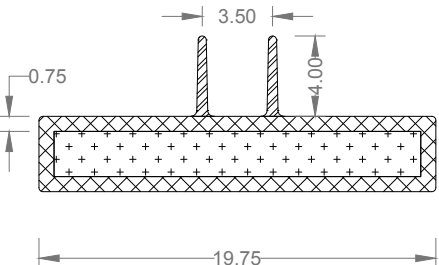
| DCIS1040B OR DCIS1040W | DCIS1040BB OR DCIS1040BW |
|---|---|
|  |  |
| DCIS1540B OR DCIS1540W | DCIS1540BB OR DCIS1540BW |
|  |  |
| DCIS2040B OR DCIS2040W | DCIS2040BB OR DCIS2040BW |
|  |  |

ITEM CODE: DCIS WITH FLIPPERS SERIES

Features:



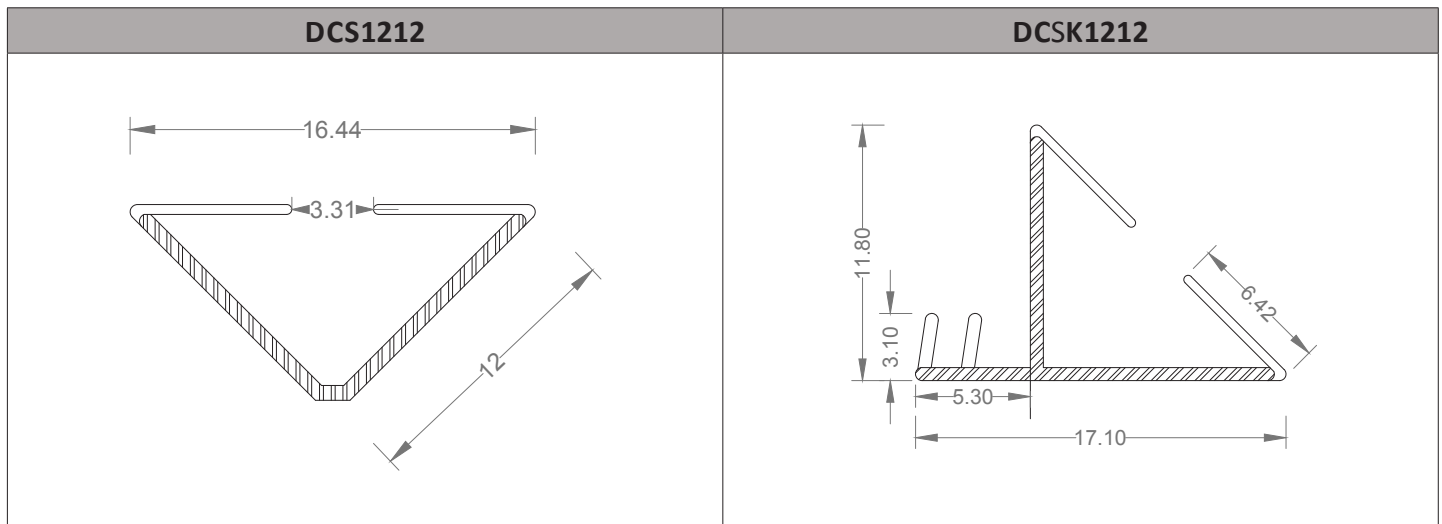
- Intumescent seals with double flippers
- Area of application: For wooden doors
- Material: Intumescent fire seal in a rigid PVC casing for use on fire, acoustic and smoke resistance doors and doors frames.
- Available: DCIS1040FB or DCIS1040FW (10x4 mm), DCIS1540FB or DCIS1540FW (15x4 mm) and DCIS2040FB or DCIS2040FW (20x4 mm).
- Location: Mortise into the doorframe and around stiles and head.
- Fixing: Self-adhesive.
- Approval: BS EN 1634-1: 2014
- Standard finish: Brown (B) and White (W). Other finishes are available upon request.

| DCIS1040FB OR DCIS1040FW | DCIS1540BB OR DCIS1540BW |
|---|---|
|  |  |
| DCIS2040FB OR DCIS2040FW | |
|  | |


ITEM CODE: DCS & DCSK

Features:

- Acoustic and smoke seals
- Area of application: For wooden or metal doors
- Material: Co-extruded PVC acoustic and smoke seals.
- Available: DCS1212 (2100 x 12 x 12 mm)
- Available with Push-in locking fit: DCSK1212 (2100 X 12 X 12 mm).
- Fixing: Self-adhesive (DCS1212) and Push-in (DCSK1212).
- Standard finish: Dark Brown (DB), White (W), Black (B), Light Brown (LB) and Clear (C).
- Other finishes are available upon request.



**ITEM CODE: DS88 SERIES
FIRE/SMOKE RESISTANT SILICONE GASKETS**

EN1634-1 
EN1634-3

Features:

- Area of application: For wooden or metal doors and windows.
- Material: Self Adhesive surface mounted Silicone fire/smoke gaskets.
- Standard finish: Black. Other finishes are available upon request.
- Location: head, strike and hinges jambs.
- Excellent elasticity and compression, tear and wear, aging resistant.
- Tested successfully to EN 1634-1 (4 hours) and EN 1634-3.
- Available in 50 meters per roll

