
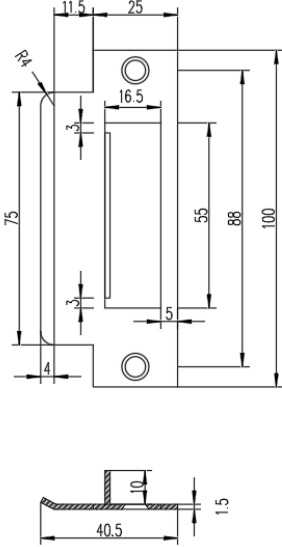


ITEM CODE: ADAPTORS SERIES, S-STRIKE-S-6572 & L-STRIKE MODIFIED

Features:

- Material: Iron in blue zinc plated (adaptors). Stainless steel (S-strike and L-strike modified).
- Adaptors options: 8 to 9 mm, 6 to 8 mm & 7 to 8 mm.
- S-strike-S-6572 is ideal solution for S-6572 DINL/DINR locks. L-strike modified is ideal solution for D301S-CF.

<p align="center">ADAPTOR 8MM TO 9MM (AVAILABLE 6MM TO 8MM & 7MM TO 8MM)</p>	<p align="center">S-STRIKE-S-6572</p>
	
<p align="center">L-STRIKE-MODIFIED</p>	
