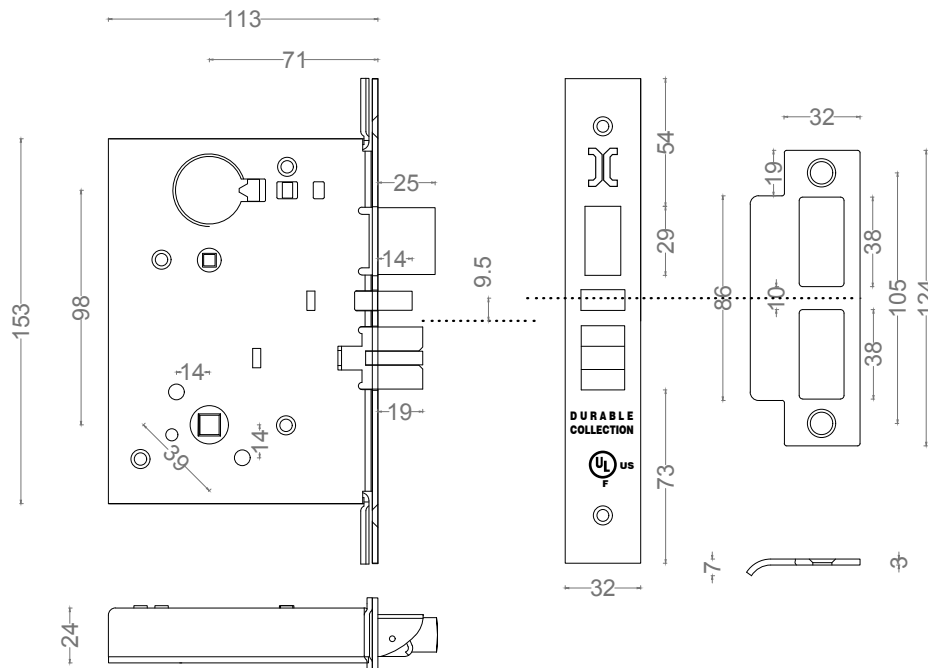








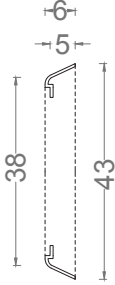

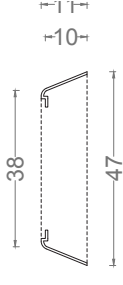

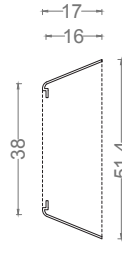


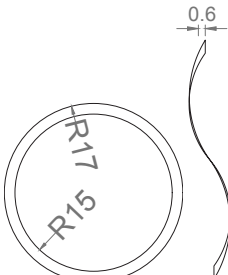







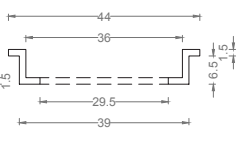
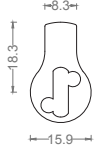
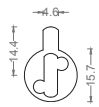
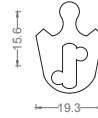

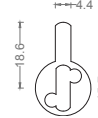
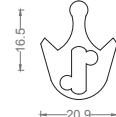
**MORTISE LOCKS  
SERIES 1000**

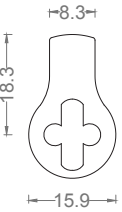
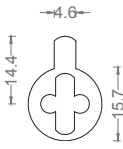
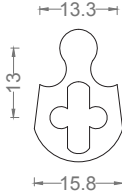
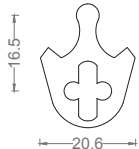

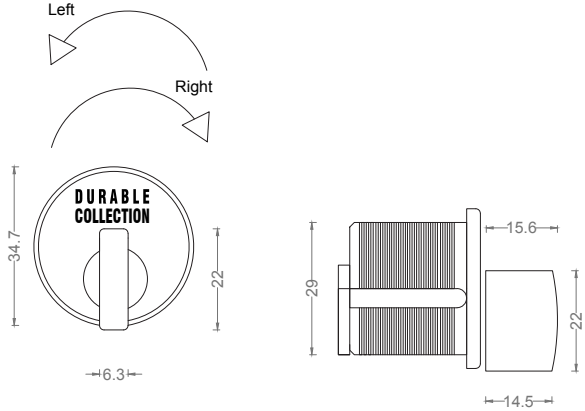
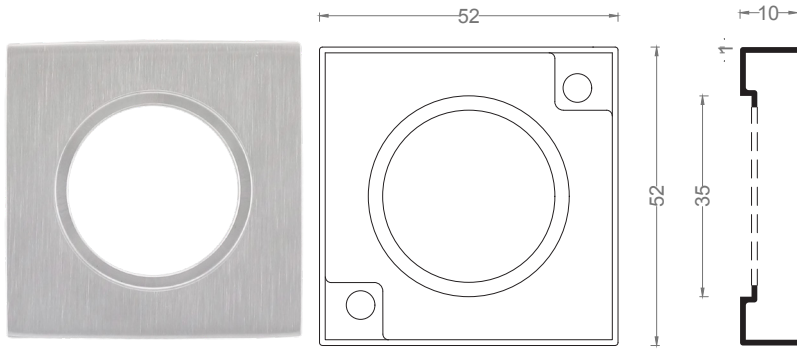
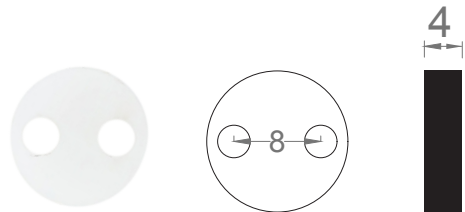

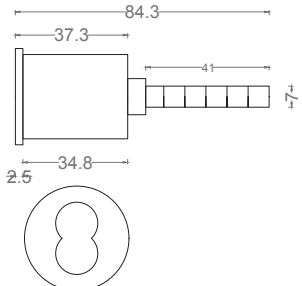

## ITEM CODE: DML1000 RANGE

### Features:

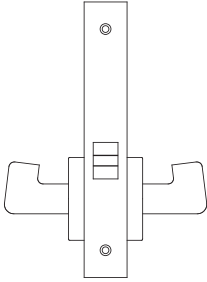
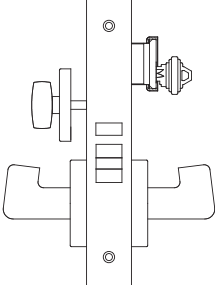
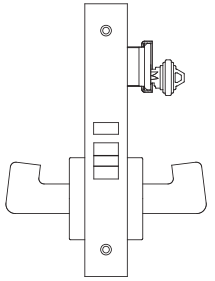
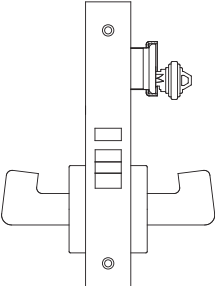
- Heavy duty mortise locks.
- UL listed. UL10C 3 hours fire rated. Tested to meet ANSI A156.13 grade 1 (1,000,000 cycles), series 1000.
- ADA compliant (American with Disabilities Act), ANSI A117 (Accessible and Usable Buildings and Facilities).
- BHMA CERTIFIED.
- Free wheeling (Anti-vandalism) is available upon request.
- Locks include special high-strength springs and a positive stop to eliminate unsightly sagging levers.
- Trims utilize 11 mm high-strength alloy steel spindles for extra durability.
- Field reversible without lock disassembly. Designed for doors thickness 44 mm standard. Specify if doors thickness is more than 44 mm.
- Backset: 70 mm only. Center to center: 98 mm only.
- Armored front size: 203 x 32 x 1.5 mm. Case size: 113 x 153 x 24 mm.
- Deadbolt: 25 mm in stainless steel. Latchbolt 19 mm throw in stainless steel with anti-friction tongue.
- Strike: ANSI curved lip strike 32 x 124 mm with dust box standard. Door cutout Type 86.
- Tested with levers in hollow or solid stainless steel.
- Cylinders and keys: Mortise or interchangeable core (SFIC or LFIC) cylinders. 5 or 6 pins mortise cylinders with 3 brass standard keys (computer key is available). 6 or 7 pins (SFIC or LFIC) cylinders with 2 operate nickel plated standard keys + 1 nickel plated control key.
- Several cams, construction keys, master key system and keyways are available.
- Standard finish: 630 (satin stainless steel). Other finishes are available upon request.



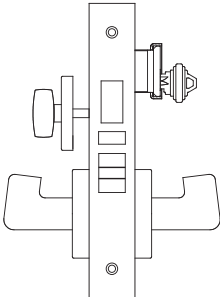
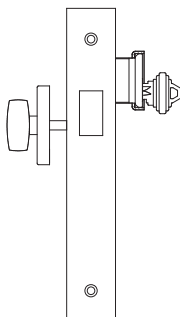
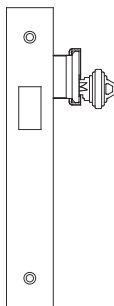
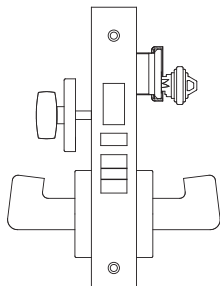
SFIC HOUSING – CICH – 6 or 6/7 PINS SFIC		SFIC CORE – SFIC – 6 & 7 PINS		MORTISE CYLINDER – DMC	
					
CYLINDER GUARD – DCG – AVAILABLE 5, 10 & 16 MM PROJECTION					
					
KEYS DMC		WAVE SPRING		KEYS SFIC	
					
SECURITY CYLINDER GUARD – DCG8.5 or DCG13.5			CYLINDER GUARD – DCG8		
					
CAMS FOR SFIC HOUSING					
1	2	3	4	5	6
					

CAMs FOR DMC HOUSING			
<b>1</b>	<b>2</b>	<b>4</b>	<b>MB</b>
			
ONE WAY CYLINDER – DMCTL (LEFT) or DMCTR (RIGHT)			
			
SQUARE CYLINDER GUARD – DCGSQ		SPACER SFIC 6 PINS – FOR CICH – FOR SFIC 7 PINS TO SFIC 6 PINS	
			
CICHR34.9 T, RIM CYLINDER WITH SFIC HOUSING		DCG	
			

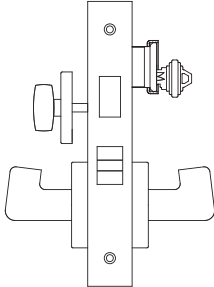
# MORTISE LOCKS SERIES 1000

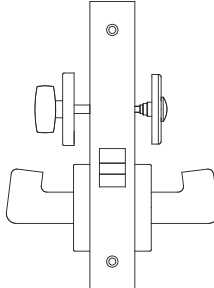
<b>INSIDE / OUTSIDE</b>	<b>PASSAGE/CLOSET (ANSI F01)-DML1001-GRADE 1 &amp; UL LISTED</b>
	<p>Latchbolt retracted by lever either side.</p>
<b>INSIDE / OUTSIDE</b>	<b>OFFICE/ENTRY (ANSI F04)-DML1004-GRADE 1 &amp; UL LISTED</b>
	<p>Latchbolt retracted by lever either side unless outside is locked by key outside or thumbturn inside. Auxiliary latch deadlocks latchbolt when door is closed. Inside lever always free for egress.</p>
<b>INSIDE / OUTSIDE</b>	<b>CLASSROOM (ANSI F05)-DML1005-GRADE 1 &amp; UL LISTED</b>
	<p>Latchbolt retracted by lever either side unless outside is locked by key. Auxiliary latch deadlocks latchbolt when door is closed. Inside lever always free for egress.</p>
<b>INSIDE / OUTSIDE</b>	<b>STOREROOM/CLOSET (ANSI F07)-DML1007-GRADE 1 &amp; UL LISTED</b>
	<p>Latchbolt retracted by lever inside or key outside. Outside lever always inoperative. Auxiliary latch deadlocks latchbolt when door is closed. Inside lever always free for egress.</p>

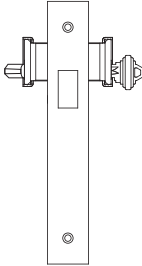
# MORTISE LOCKS SERIES 1000

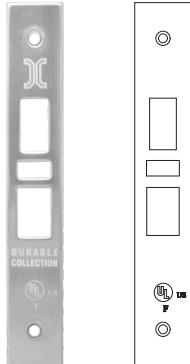
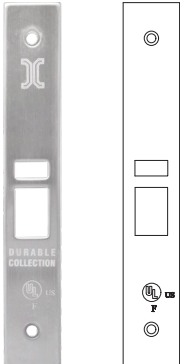
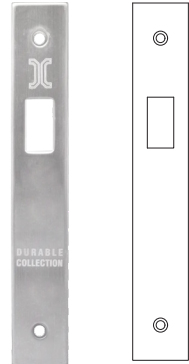
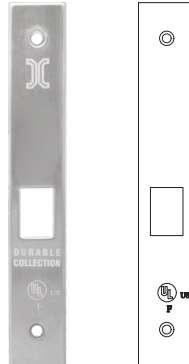
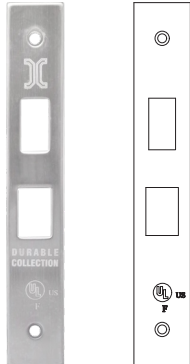
<p style="text-align: center;"><b>INSIDE / OUTSIDE</b></p>	<p style="text-align: center;"><b>DORMITORY/EXIT (ANSI F13)-DML1013-GRADE 1 &amp; UL LISTED</b></p>
	<p>Latchbolt retracted by lever either side.          Deadbolt operated by key outside or thumbturn inside.          Throwing deadbolt automatically locks outside lever.          When locked, lever inside or key outside retracts deadbolt and latchbolt simultaneously.          Auxiliary latch deadlocks latchbolt when door is closed.          Inside lever always free for egress.</p>
<p style="text-align: center;"><b>INSIDE / OUTSIDE</b></p>	<p style="text-align: center;"><b>DEAD LOCK (ANSI F17) - DML1017-GRADE 1</b></p>
	<p>Deadbolt thrown or retracted by key outside or thumbturn inside.</p>
<p style="text-align: center;"><b>INSIDE / OUTSIDE</b></p>	<p style="text-align: center;"><b>DEAD LOCK (ANSI F18) - DML1018-GRADE 1</b></p>
	<p>Dead bolt operated by key outside.</p>
<p style="text-align: center;"><b>INSIDE / OUTSIDE</b></p>	<p style="text-align: center;"><b>APARTMENT CORRIDOR DOOR (ANSI F20)- DML1020-GRADE 1 &amp; UL LISTED</b></p>
	<p>Latchbolt retracted by lever either side unless outside is locked by 20° rotation of thumbturn.          Deadbolt operated by key outside or thumbturn inside.          Throwing deadbolt automatically locks outside lever.          When locked, lever inside or key outside retracts deadbolt and latch bolt simultaneously.          Auxiliary latch deadlocks latchbolt when door is closed.</p>

# MORTISE LOCKS SERIES 1000

INSIDE / OUTSIDE	ROOM DOOR (ANSI F21)-DML1021--GRADE 1 & UL LISTED
	<p>Latchbolt retracted by lever either side.            Deadbolt thrown or retracted by key outside or thumbturn inside.            Latchbolt and deadbolt are independent of each other.</p>

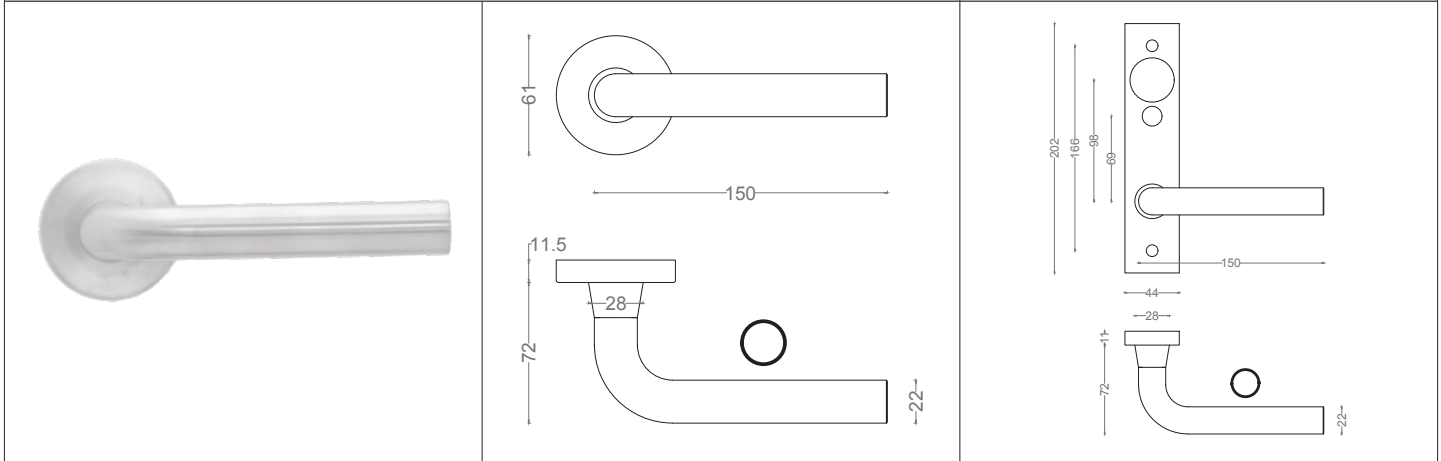
INSIDE / OUTSIDE	PRIVACY/ BATH/BEDROOM (ANSI F22)-DML1022-GRADE 1 & UL LISTED
	<p>Latchbolt retracted by lever either side unless outside is locked by thumbturn inside.            Operating inside lever or emergency turn outside unlocks outside.            Inside lever always free for egress.</p>

INSIDE / OUTSIDE	CLASSROOM DEADLOCK (ANSI F29)-DML1029
	<p>Dead bolt operated by key outside or by turn inside.            Dead bolt operated by key outside.            Turn inside retracts but does not project deadbolt.</p>

FOREND/FACEPLATE	DML1013, DML1020	DML1004, DML1005, DML1007	DML1017, DML1018, DML1029	DML1001, DML1022	DML1021
					

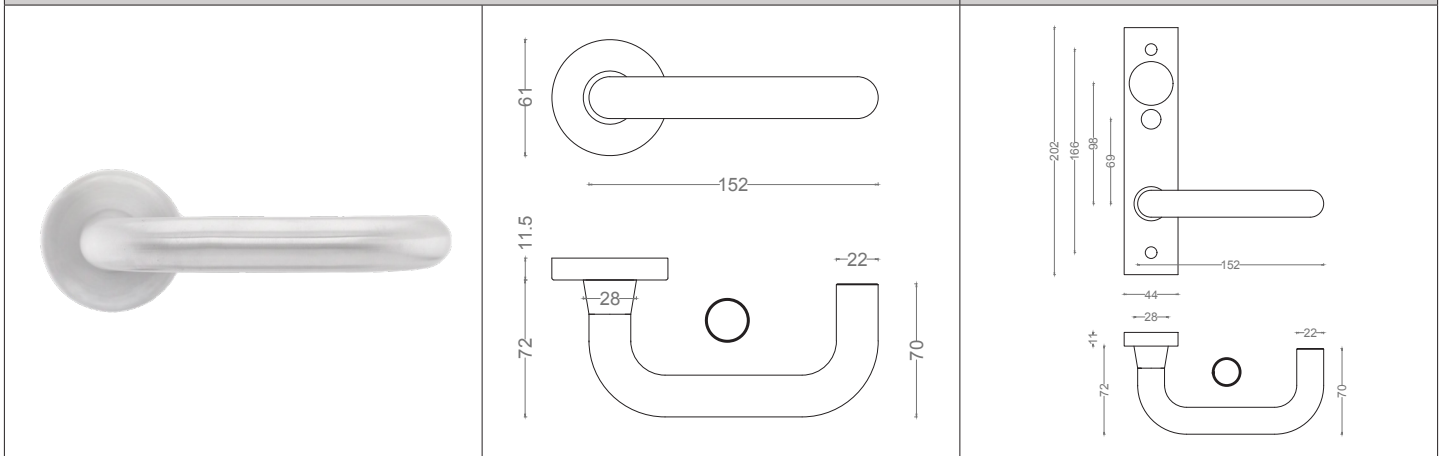
**AH101 – HOLLOW LEVER HANDLE**

**AH101T**



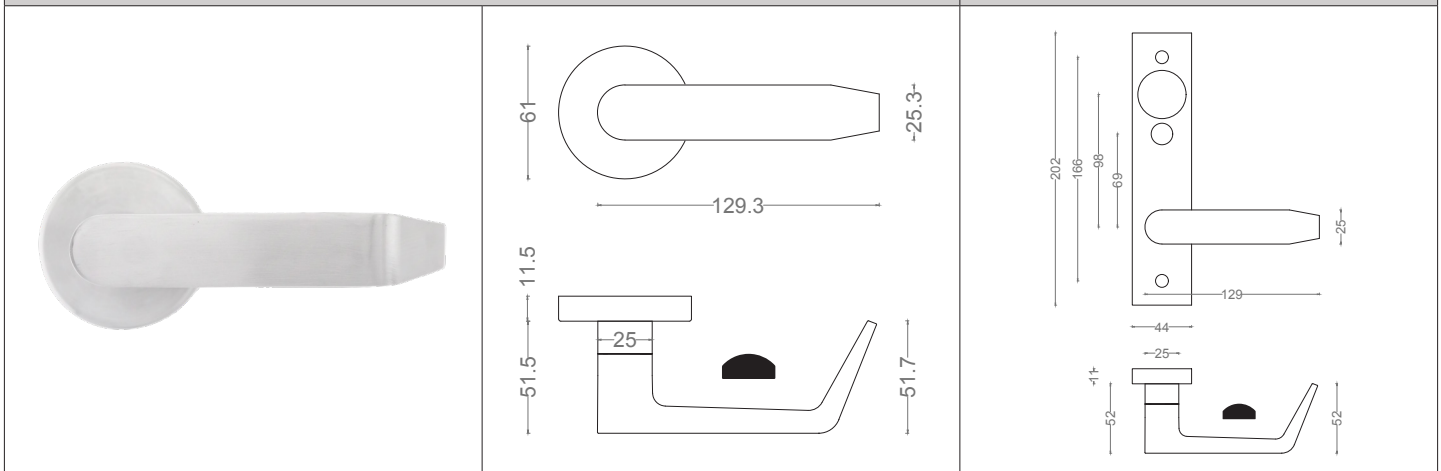
**AH102 – HOLLOW LEVER HANDLE**

**AH102T**

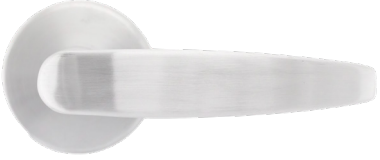
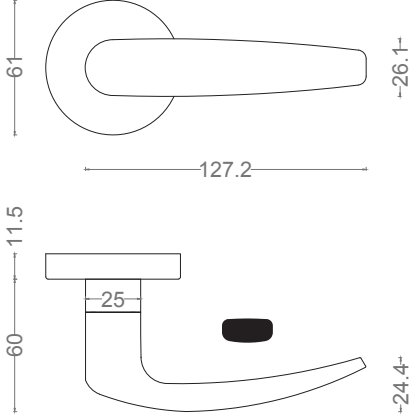
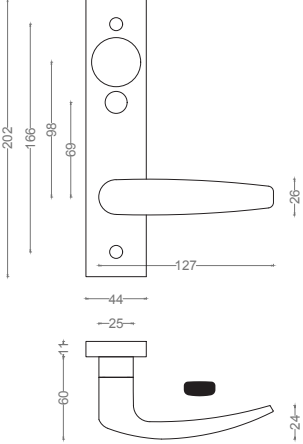

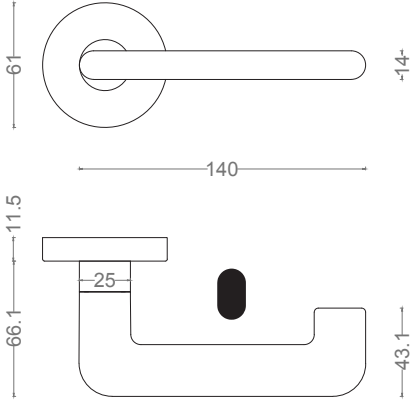
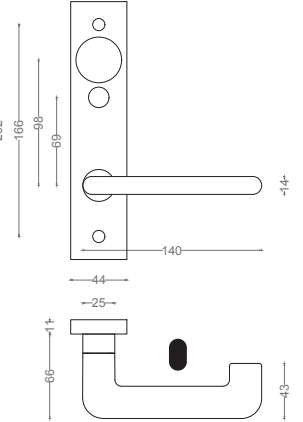

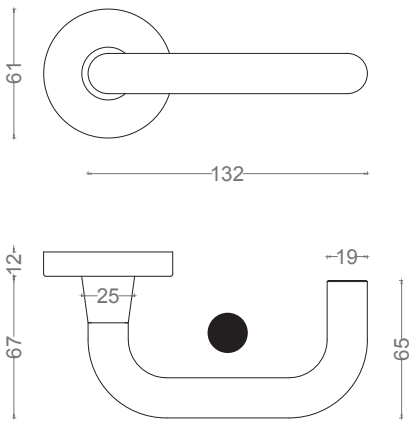
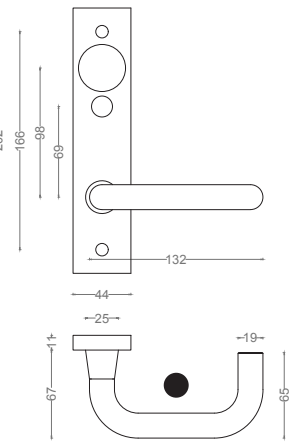


**AH111 – SOLID LEVER HANDLE**

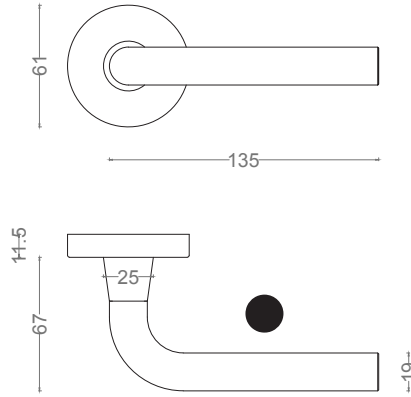
**AH111T**



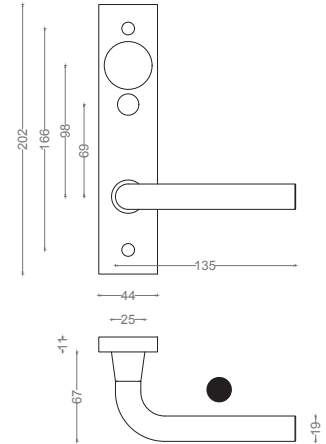


AH112 – SOLID LEVER HANDLE		AH112T
		
AH113 – SOLID LEVER HANDLE		AH113T
		
AH114 – SOLID LEVER HANDLE		AH114T
		

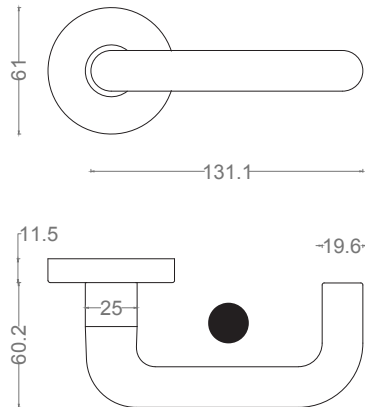
**AH115 – SOLID LEVER HANDLE**



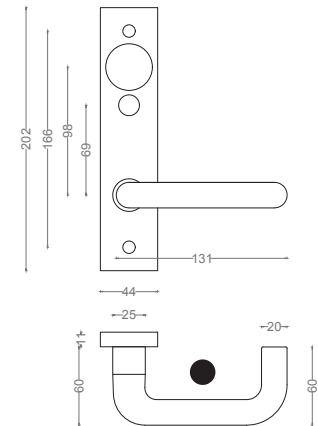
**AH115T**



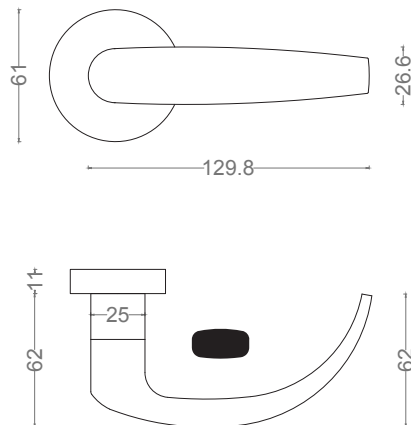
**AH116 – SOLID LEVER HANDLE**



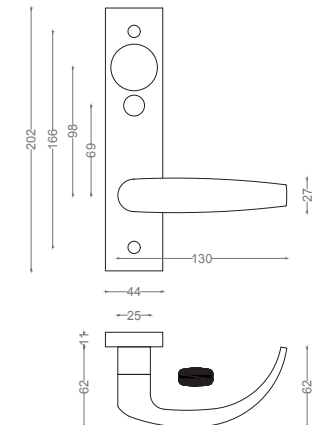
**AH116T**



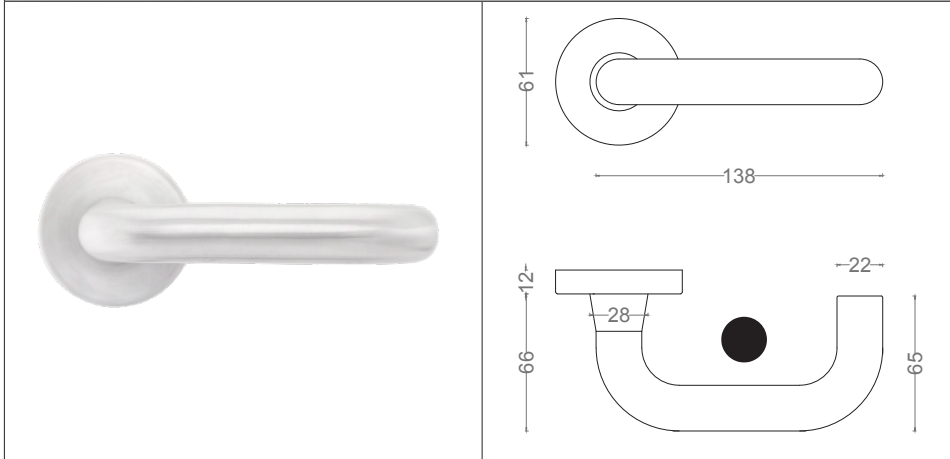
**AH117 – SOLID LEVER HANDLE**



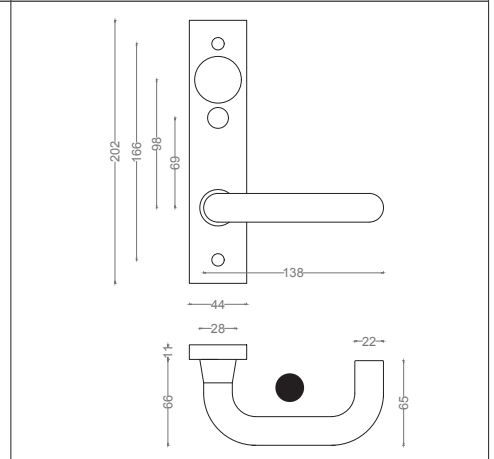
**AH117T**



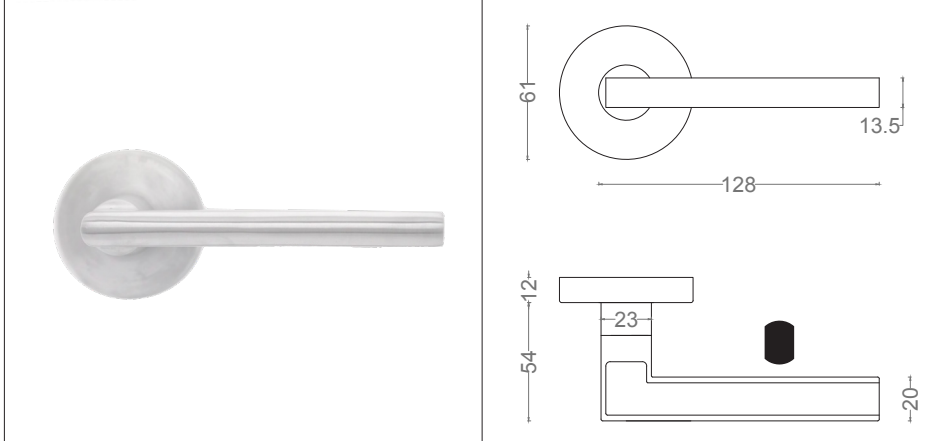
**AH118 – SOLID LEVER HANDLE**



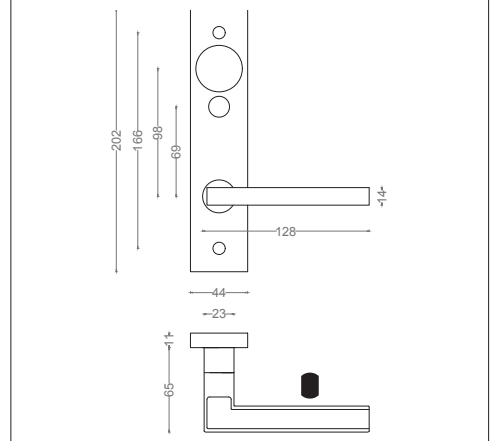
**AH118T**



**AH119 – SOLID LEVER HANDLE**



**AH119T**



**AH126 – SOLID LEVER HANDLE**

