

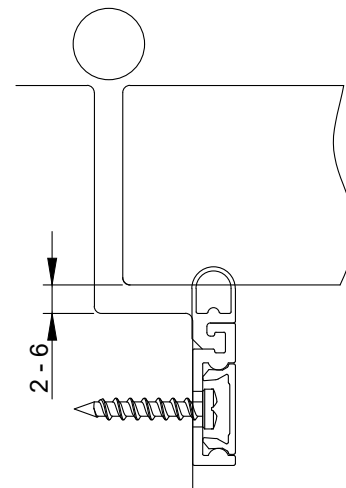
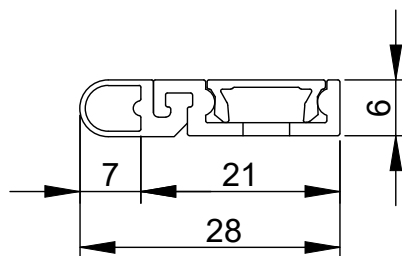
**ITEM CODE: D286 SERIES  
SURFACE MOUNTED SILICONE SELF-EXTINGUISHING GASKET  
& PVC COVER CAP**



Features:

- Area of application: All types of doors.
- Base material: Aluminum.
- Surface mounted slim design concealed fixing silicone perimeter gasket & PVC cover cap.
- Retrofit.
- Elongated fixing holes for easy positioning and adjustment.
- Snap on cover. Supplied with fixing screws.
- Tested to STC51+.
- UL LISTED.
- Standard lengths: 1000 mm and 2250 mm. Optional additional lengths 1250, 2500 and 3000 mm.
- Standard finish: Silver anodised aluminium with grey silicone rubber gasket.

**D286**



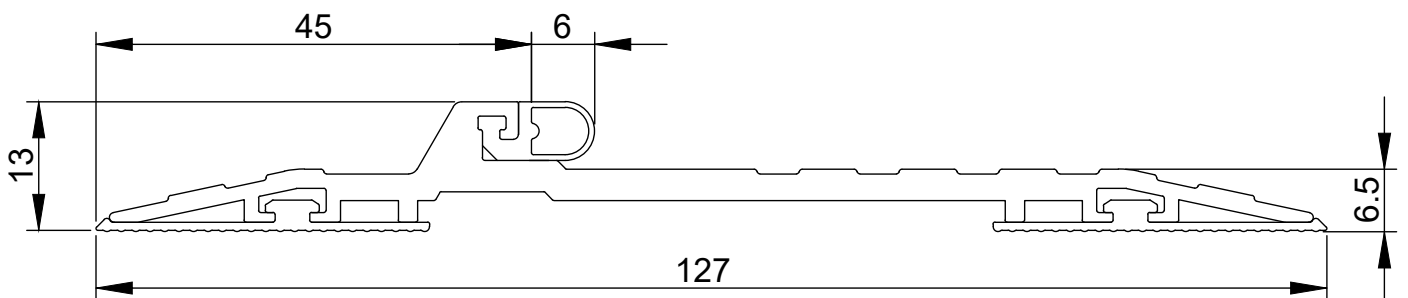
**ITEM CODE: D4200A SERIES  
THRESHOLD ALUMINIUM PLATE WITH SILICONE INSERT  
& PVC BEDDING GASKET.**



Features:

- Area of application: Wooden or metal doors.
- Base material: Aluminum.
- Suitable for outward opening doors to prevent rain, draughts, light and noise penetration.
- The high performance silicone insert compression seal, combined with the PVC bedding gasket, help provide an effective acoustic barrier.
- Tested to STC51+.
- UL LISTED.
- Supplied with fixing accessories.
- May be used with a panic type exit device.
- Meets Approved Document M (England and Wales).
- Standard lengths: 1000 mm and 2250 mm. Optional additional lengths 1250, 1500, 2500 and 3000 mm.
- Standard finish: Silver anodised aluminium with grey silicone insert and gasket.

**D4200A**

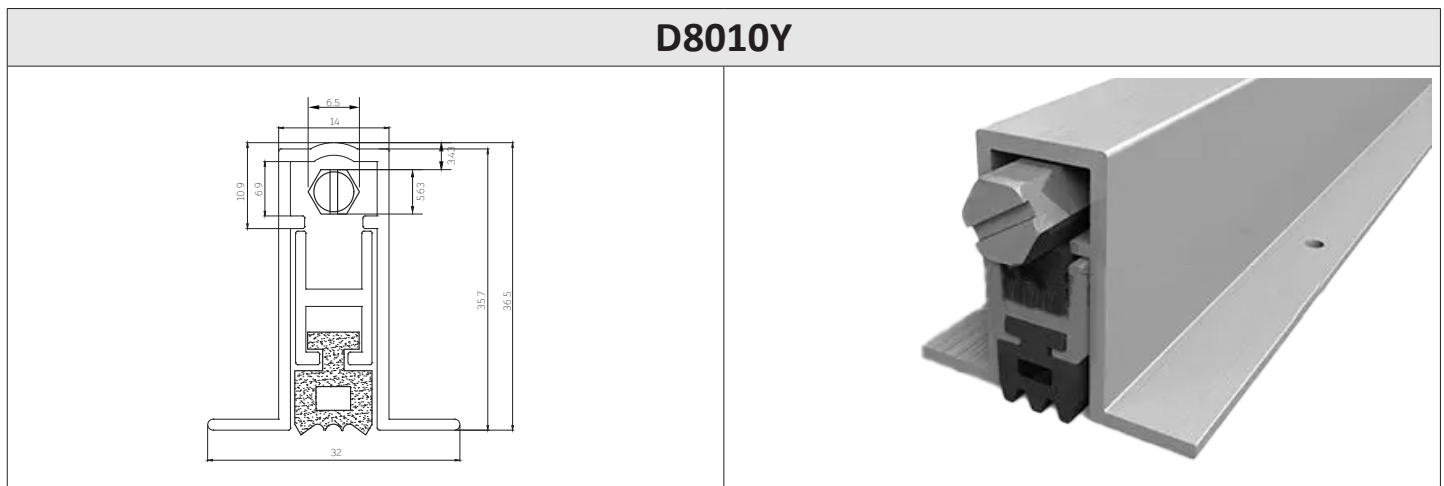


**ITEM CODE: D8010Y SERIES  
DOOR AUTOMATIC CONCEALED BOTTOM NEOPRENE  
SELF-EXTINGUISHING SEALS**



**Features:**

- Area of application: Metal, wood or PVC doors.
- For commercial and residential buildings.
- A highly efficiency mechanism that lifts the seal clear of the floor as soon as the door by a few millimeters.
- Used to seal the gap at the bottom of your door to prevent infiltration of sound, lights, draught, insects, moisture and smoke.
- UL LISTED. Non handed.
- Retracts parallel when the door opens/closes to minimize friction with the floor. Self-levelling for uneven floors.
- Available standard lengths: 914, 1000 and 1220 mm.
- Aluminum profile/section. Seal material: Neoprene. Supplied with fixing screws.
- Available finish: Silver anodized aluminium.



MODEL #	CUT DOWN TO					
	786mm	829mm	914mm	939mm	1000mm	1220mm
D8010Y - 914	-----					
D8010Y - 1000		-----				
D8010Y - 1220				-----		

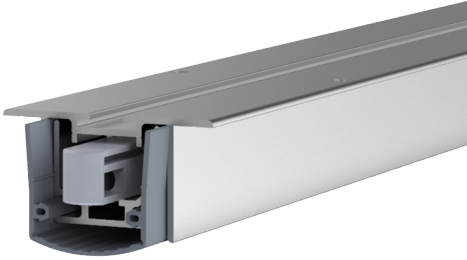
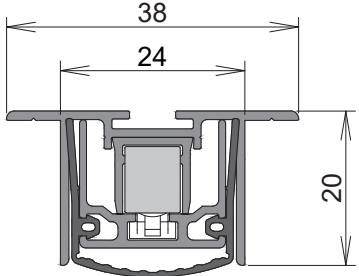
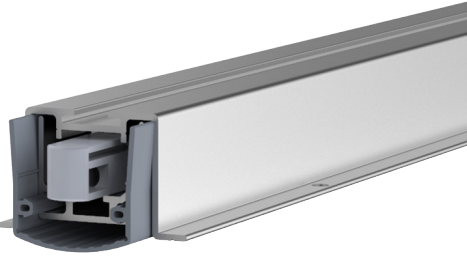
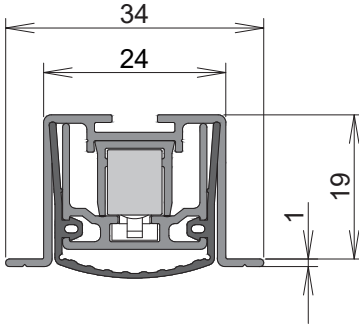
**ITEM CODE: D8100A & D8100B SERIES  
DOOR AUTOMATIC CONCEALED BOTTOM SILICONE  
SELF-EXTINGUISHING SEALS**



SIZE	MAXIMUM CUT BACK
385mm	230mm
500mm	300mm
585mm	485mm
685mm	555mm
750mm	555mm
900mm	685mm
1050mm	855mm
1200mm	1045mm
1350mm	1100mm
1500mm	1320mm
1650mm	1420mm
1800mm	1555mm
1950mm	1715mm
2100mm	1820mm

Features:

- Area of application: Metal, wood or PVC doors.
- For commercial and residential buildings.
- A highly efficiency mechanism that lifts the seal clear of the floor as soon as the door by a few millimeters.
- Used to seal the gap at the bottom of your door to prevent infiltration of sound (tested to STC51+),lights, draught, insects, moisture and smoke.
- UL LISTED. Non handed. Tool free single sliding actuator can be deactivated before building occupancy.
- Retracts parallel when the door opens/closes to minimize friction with the floor. Self-levelling for uneven floors. Overload protection protects seal from excessive wear.
- Available lengths and cut back: Check table.
- Aluminum profile/section. Seal material: Silicone. Supplied with fixing screws. Available finish: Silver anodized aluminium.

ITEM CODE	SIZE	
<b>D8100A</b>		
<b>D8100B</b>		

**ITEM CODE: DCS1X1XA SERIES  
FIRE RESISTANT BATWING SEALS**



Features:

- Area of application: For wooden or metal doors.
- Material: Self-adhesive flexible elastomeric inserts in PVC base with backing tape batwing seals.
- Available lengths: 2200, 2500 and 3000 mm. Optional 2100 and 2400 mm.
- UL LISTED.
- Retrofit.
- Tested to STC51+.
- Standard finish: Black. Optional finishes, Dark brown, White and Grey.



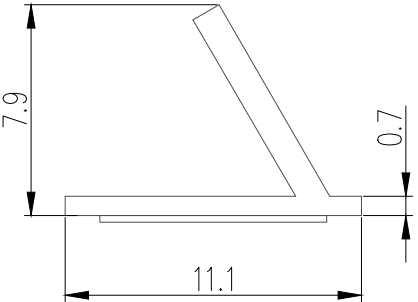

ITEM CODE	SIZE	
DCS1010A		
DCS1212A		
DCS1515A		

**ITEM CODE: DCS118 SERIES  
FIRE RESISTANT SILICONE SEALS**



Features:

- Area of application: For wooden or metal doors.
- Material: Extruded self-extinguishing and non-toxic fire silicone seals.
- Self adhesive backing tape. Extremely low closing force.
- Available length 204 feet (62 meters). Optional 25 ,21 ,17 and 510 feet.
- UL LISTED.
- Tested to STC+51
- Category J Gasket.
- Standard finish: Black. Other finishes are available upon request.

DIMENSIONS	DCS118
	

**ITEM CODE: DE8100 & DE8100ST SERIES  
DOOR AUTOMATIC CONCEALED SILICONE  
SELF-EXTINGUISHING SEALS**



SIZE	MAXIMUM CUT BACK
430mm	270mm
530mm	405mm
630mm	505mm
730mm	605mm
830mm	705mm
930mm	805mm
1030mm	905mm
1130mm	1005mm
1230mm	1105mm
1330mm	1205mm

Features:

- Area of application: Metal, wood or PVC doors.
- For commercial and residential buildings.
- A highly efficiency mechanism that lifts the seal clear of the floor as soon as the door by a few millimeters.
- Used to seal the gap at the bottom of your door to prevent infiltration of sound (tested to STC30), lights, draught, insects, moisture and smoke.
- UL LISTED. Non handed.
- Available lengths and cut back: Check table.
- Aluminum profile/section. Seal material: Silicone. Supplied with fixing screws.
- Available finish: Silver anodized aluminium.

ITEM CODE	SIZE	
DE8100		
DE8100ST		

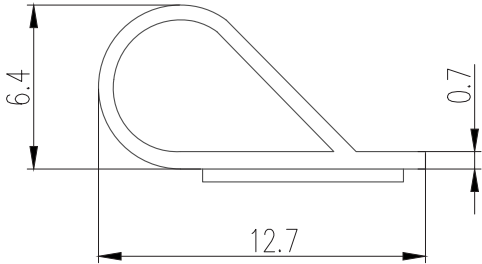



**ITEM CODE: DS88B SERIES  
FIRE RESISTANT SILICONE SEALS**



Features:

- Area of application: For wooden or metal doors.
- Material: Extruded self-extinguishing and non-toxic fire silicone seals.
- Self adhesive backing tape.
- Seal begins compressing at 1/4". Compresses to seal up to a 1/16" gap.
- Available length 204 feet (62 meters). Optional 17, 21, 25 and 510 feet.
- UL LISTED.
- Tested to STC51+
- Category J Gasket.
- Standard finish: Black. Other finishes are available upon request.

DIMENSIONS	DS88B
	

**ITEM CODE: DSF8100 SERIES  
DOOR AUTOMATIC SURFACE MOUNTED  
BOTTOM SILICONE SELF-EXTINGUISHING SEALS**



**Features:**

- Area of application: Metal, wood or PVC doors.
- For commercial and residential buildings.
- A highly efficiency mechanism that lifts the seal clear of the floor as soon as the door by a few millimeters.
- No lateral travel during actuation enhances gasket position.
- Actuator requires no protective press plate for the frames.
- Used to seal the gap at the bottom of your door to prevent infiltration of sound (tested to STC50),lights, draught, insects, moisture and smoke.
- UL LISTED. Non handed. Tool free single sliding actuator can be deactivated before building occupancy.
- Retracts parallel when the door opens/closes to minimize friction with the floor. Self-levelling for uneven floors.
- Available lengths and cut back: Check table.
- Aluminum profile/section. Seal material: Silicone. Supplied with fixing screws.  
Available finish: Silver anodized aluminium.

SIZE	MAXIMUM CUT BACK
435mm	320mm
535mm	360mm
635mm	480mm
710mm	585mm
805mm	635mm
930mm	760mm
1055mm	885mm
1210mm	1010mm
1335mm	1135mm
1435mm	1260mm
1550mm	1385mm
1650mm	1510mm
1750mm	1650mm
1800mm	1635mm
1850mm	1760mm
1900mm	1760mm
2000mm	1885mm

ITEM CODE	SIZE
<b>DSF8100</b>	