

**ITEM CODE: D301, D302, D306 & D307 SERIES
PANIC EXIT DEVICE WITH HALF OR FULL TOUCH BAR**

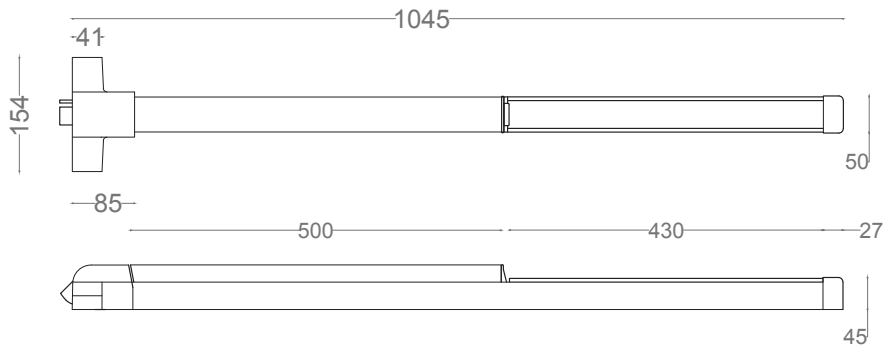


Features:

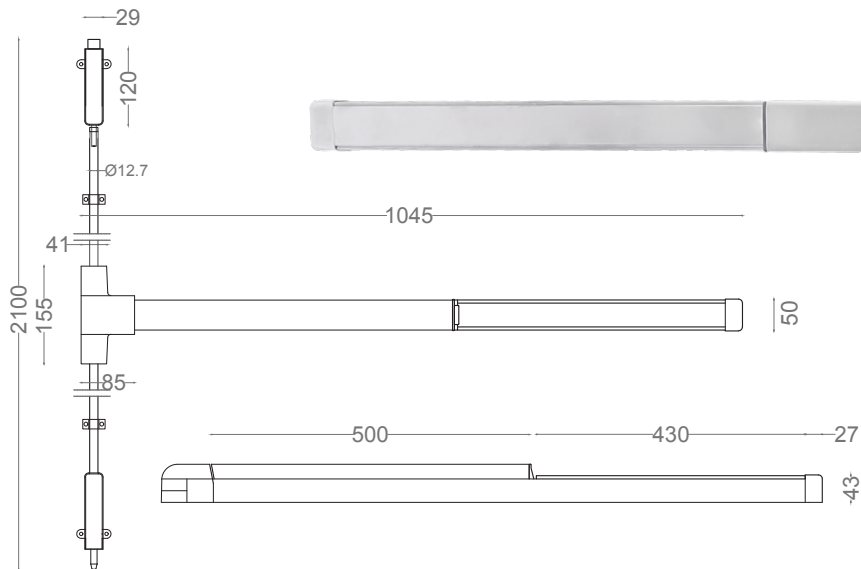
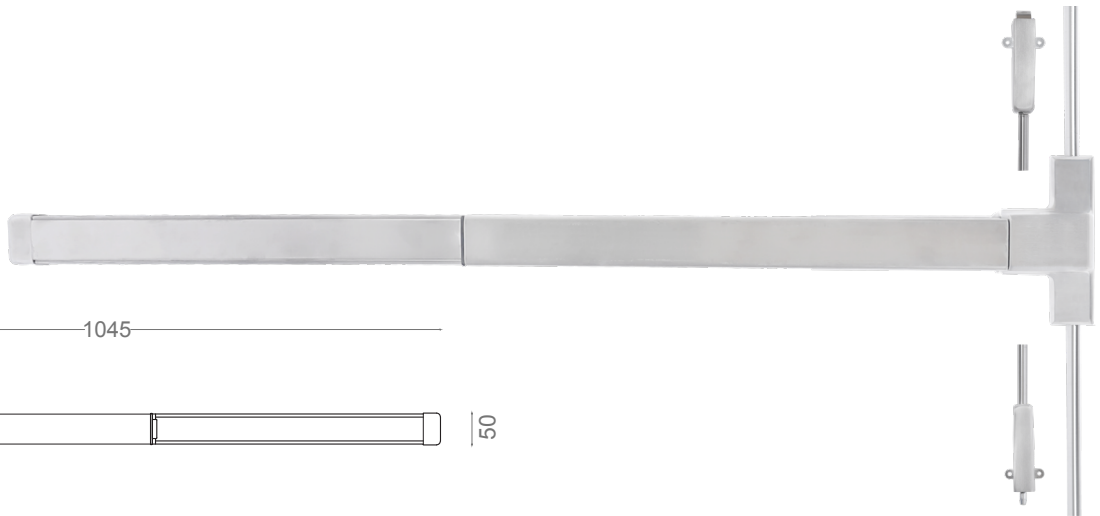
- Area of application: For single or double wooden and metal doors.
- Standard material:
 - D301S and D302S (Panic Latch Touch Bar): End cover, body cover, lock body, push bar, centre cover, striking plate and latch bolt are stainless steel EN 1.4301 (type 304).
 - D301P and D302P (Panic Latch Touch Bar): End cover, body cover, lock body, push bar, centre cover, striking plate and latch bolt are steel (Q235-A)
 - D306S and D307S (Panic Bolt Touch Bar): End cover, body cover, lock body, push bar, centre cover, top and bottom covers are stainless steel EN 1.4301 (type 304).
 - D306P and D307P (Panic Bolt Touch Bar): End cover, body cover, lock body, push bar, centre cover, top and bottom covers are steel (Q235-A).
- One-locking point for D301/D302 and two-point locking for D306/307.
- Anti-thrust latch function for D301/D302.
- Single operation. Fully reversible.
- Optional material: EN 1.4401 (type SUS316).
- Supplied with:
 - D301/D302 series: 1 pc complete set panic latch touch bar, 1 pc keep (strike) for single leaf with full set of screws.
 - D306/D307 series: 1 pc complete set panic bolt touch bar, 1 pc top strike, 1 pc bottom strike, 1 set top latch, 1 set bottom latch, 2 sets clamps, 2 pc connect bar (for maximum door height 2133 mm).
- Strike plate (SPD003-A) for double leaf to be ordered separately.
- OAD (outside access device): Certified to be used with DT004, DT006, DT008 and DT010. All outside trims are made in stainless steel EN 1.4301.
- Optional: Request to Exit (REX) is available.
- Tested and certified to EN 1125:2008 and BS EN 1634-1: 2014
- CE marked.
- D302 and D307 series touch bar length 845 mm.
- DoP (Declaration of Performance) available on website or on request.
- Standard finish: Silver or Satin stainless steel (SSS). Other finishes are available upon request.
- Classification:

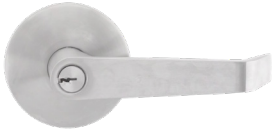
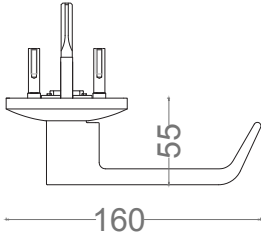

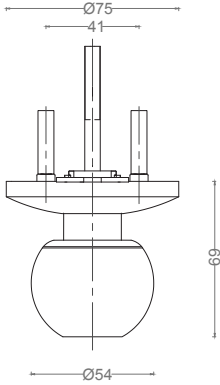

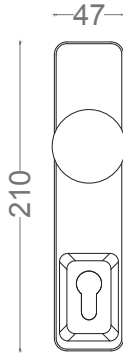

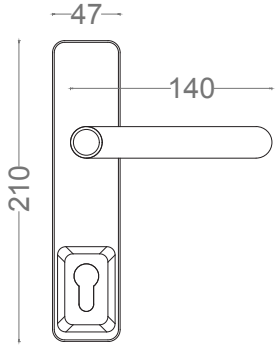

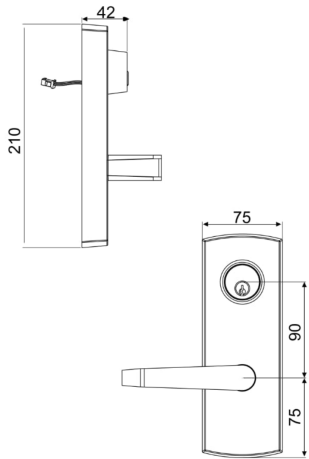

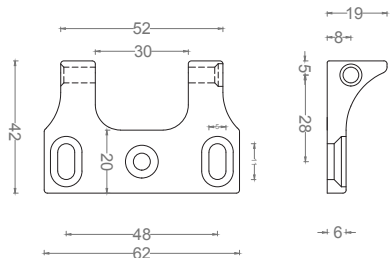
ITEM CODE	CATEGORY OF USE	NUMBER OF TEST CYCLES	TEST DOOR MASS	FIRE RESISTANCE	SAFETY	CORROSION RESISTANCE	SECURITY	PROJECTION OF DEVICE	TYPE OF DEVICE	FIELD OF APPLICATION
D301/D302	3	7	6	B ¹	1	4	2	2	B	A
D306/D307	3	7	6	B ¹	1	4	2	2	B	C

PANIC LATCH TOUCH BAR D301X SERIES



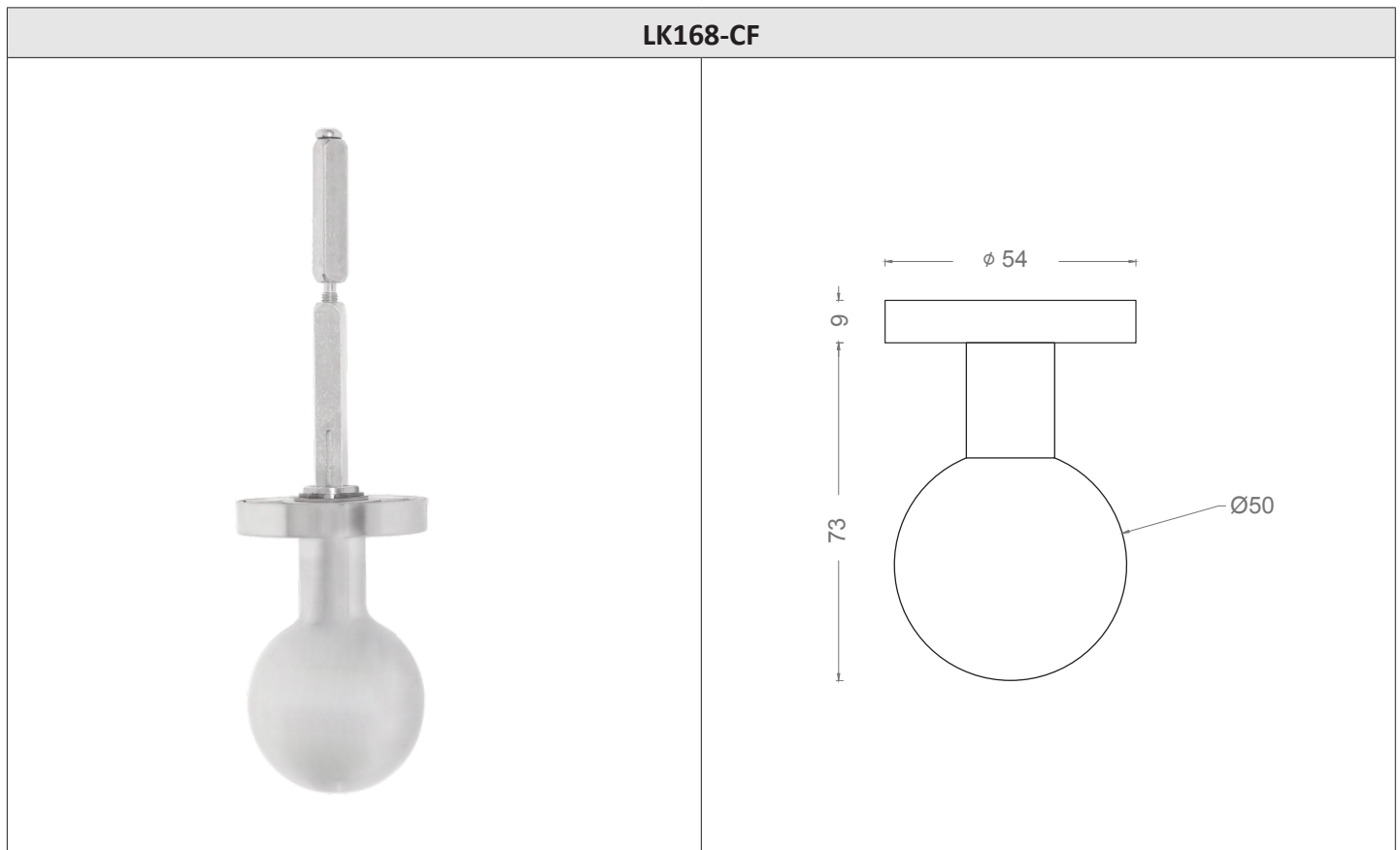
PANIC BOLT TOUCH BAR D306X SERIES



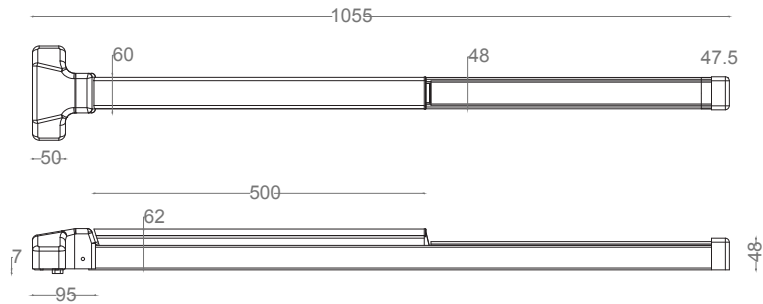
DT004		DT006	
			
DT008		DT010	
			
DT109 (ELECTRIFIED)		STRIKE PLATE FOR DOUBLE DOORS, SPD003-A	
			

ITEM CODE: D301X-CF & D306X-CF SERIES
PANIC EXIT DEVICE WITH HALF TOUCH BAR & MORTISE CLASSROOM LOCK.
Features:

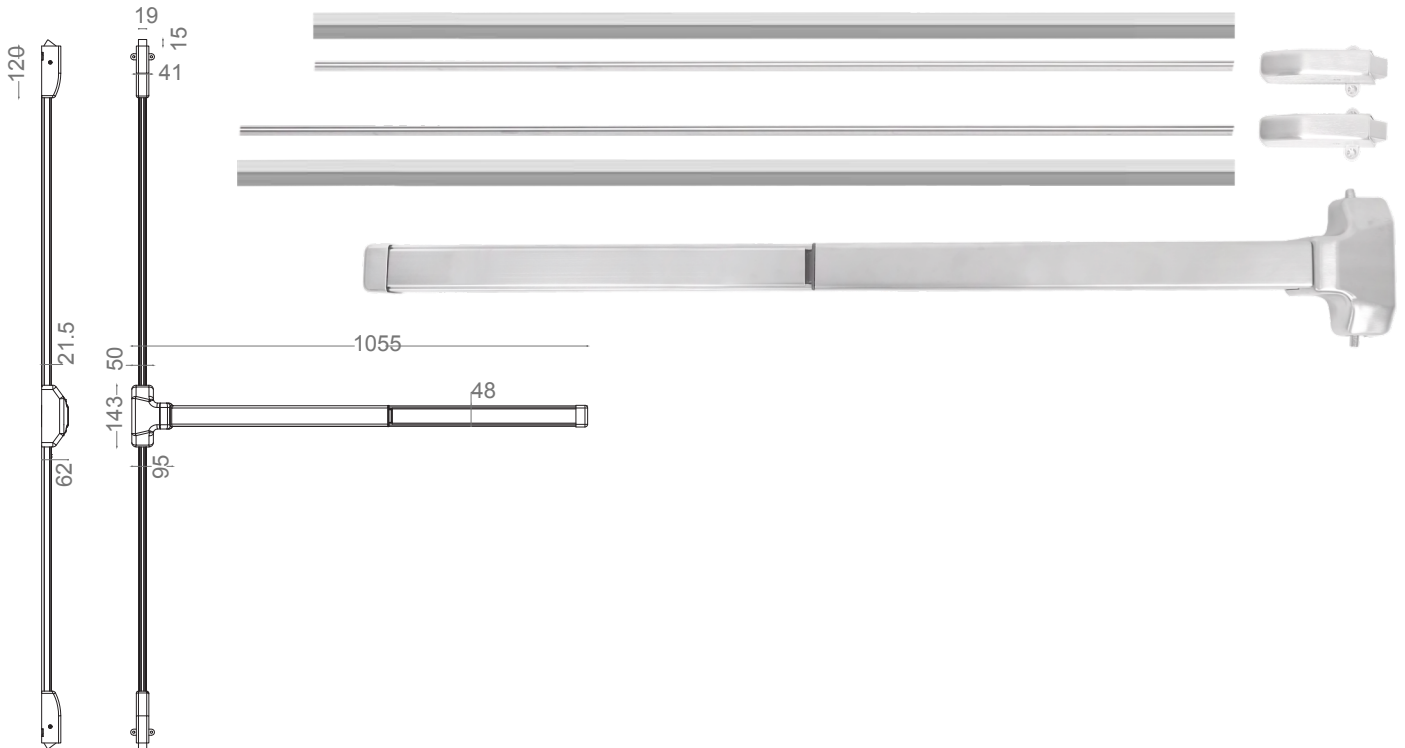
- Area of application: For single or double wooden and metal doors.
- Standard material:
 - o D301S-CF (Panic Latch Touch Bar): End cover, body cover, lock body, push bar and centre cover in stainless steel EN 1.4301 (type 304).
 - o D306S-CF (Panic Bolt Touch Bar): End cover, body cover, lock body, push bar, centre cover, top and bottom covers in stainless steel EN 1.4301 (type 304).
- One-locking point for D301S-CF (via mortise classroom lock) and two-point locking for D306S-CF.
- Suitable mortise locks for D301S-CF: refer to classroom locks L-8072 CR (DINR or DINL) or L-5572 CR (DINR or DINL) or electrified mortise lock EML-FSX. Sold separately.
- Single operation. Fully reversible.
- OAD (outside access device): DT112-8 series or LK168-CF (rotating knob). All outside trims are made in stainless steel EN 1.4301. Sold separately.
- Single cylinder, sold separately.
- Standard finish: Satin stainless steel (SSS). Other finishes are available upon request.



PANIC LATCH TOUCH BAR D301X-CF



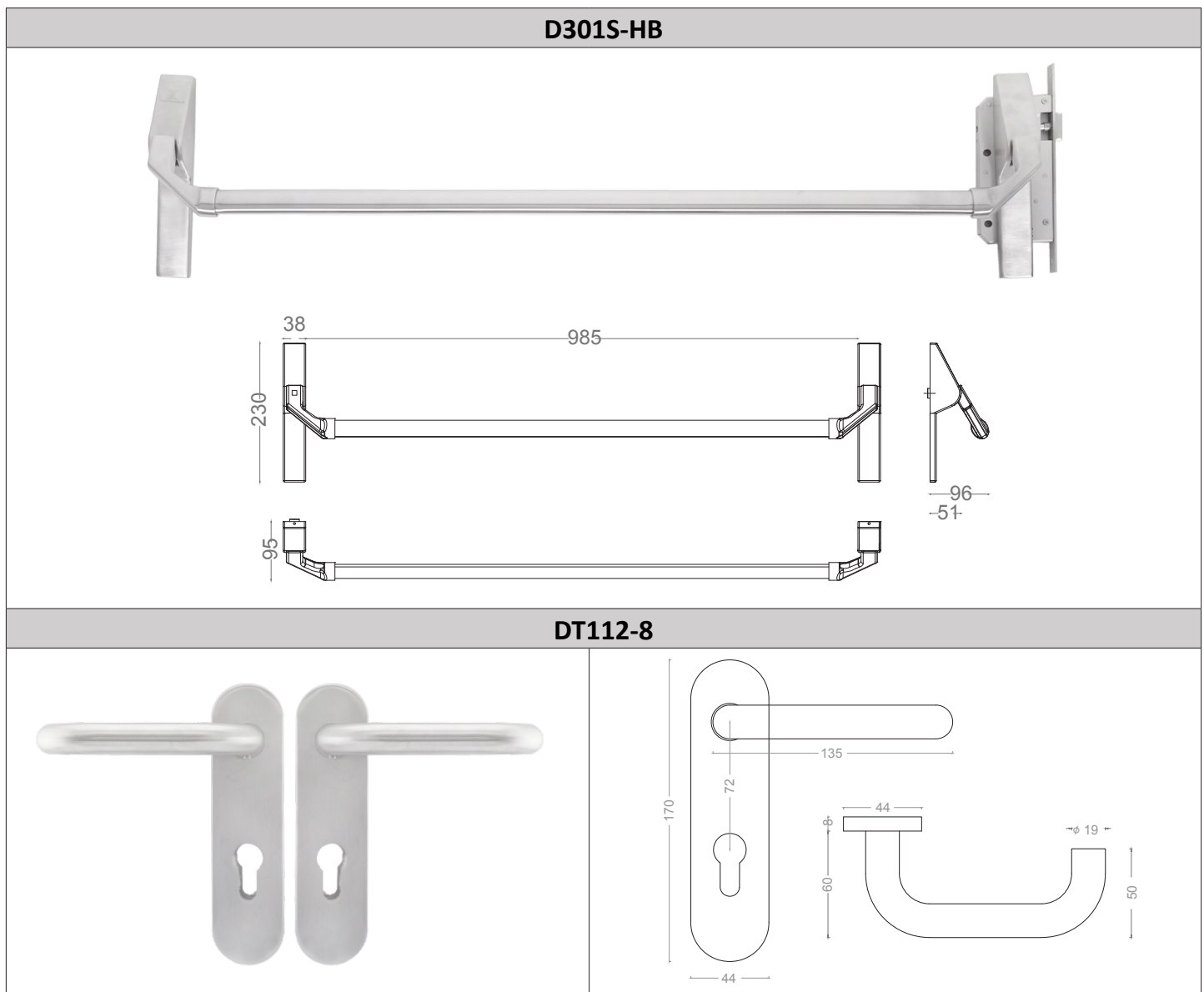
PANIC BOLT TOUCH BAR D306X-CF



**ITEM CODE: D301S-HB SERIES
HEAVY-DUTY STAINLESS STEEL PANIC BOLT PUSH BAR**

Features:

- Area of application: For single wood or metal doors.
- Material: Stainless steel EN 1.4301 (type SUS304), optional in EN 1.4401 (type SUS316).
- Suitable classroom mortise lock: L-5572 CR, L-8072 CR or mortise lock P-6572A. Sold separately.
- Outside trim DT112-8 (specify DIN left or DIN right) in SSS finish, sold separately.
- Single cylinder, sold separately.
- Optional stainless steel horizontal bar length 1050 mm, sold separately.
- Standard finish: Satin Stainless Steel. Other finishes are available upon request

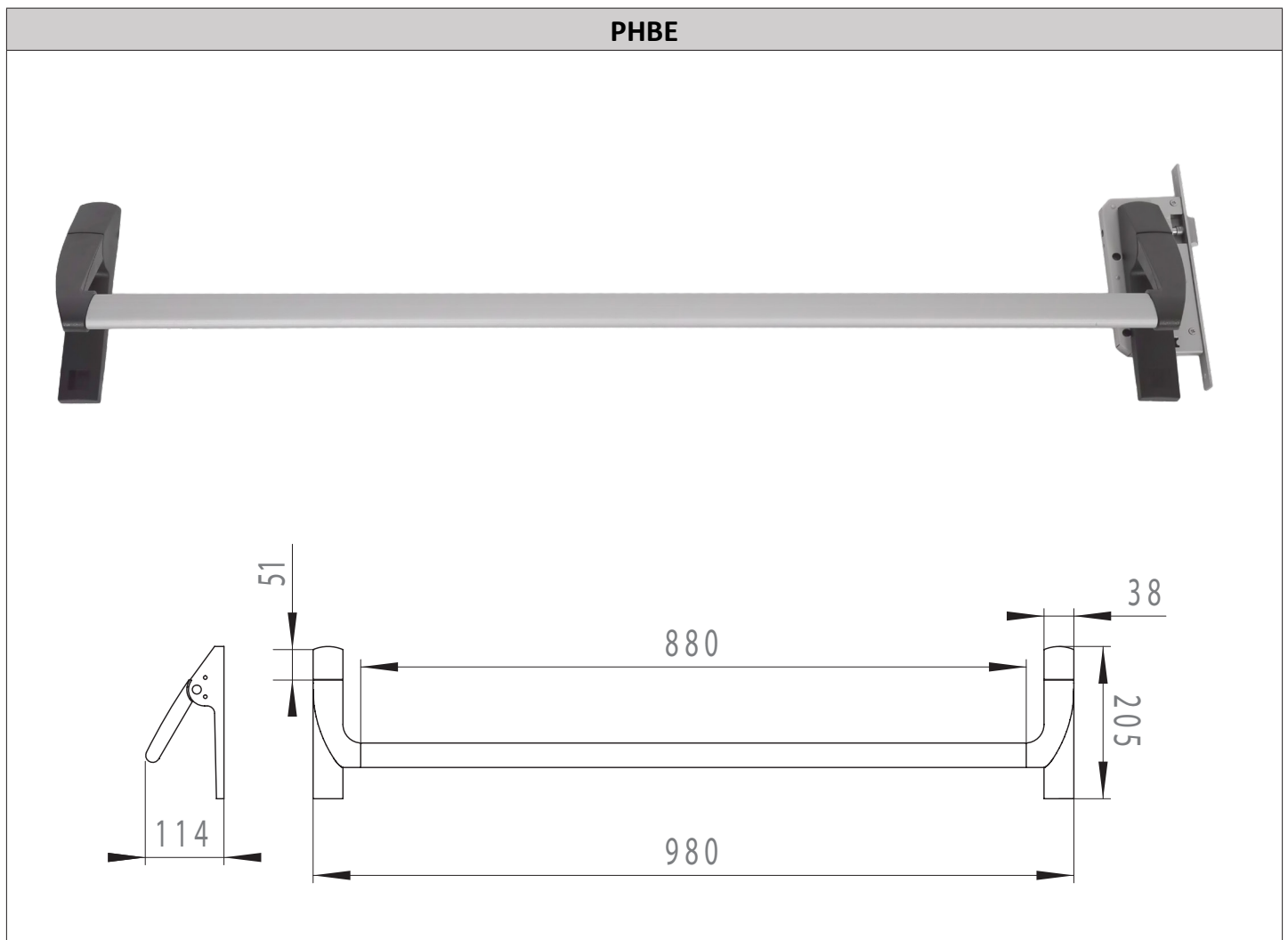


**ITEM CODE: PHBE
HEAVY-DUTY PANIC BOLT PUSH BAR**

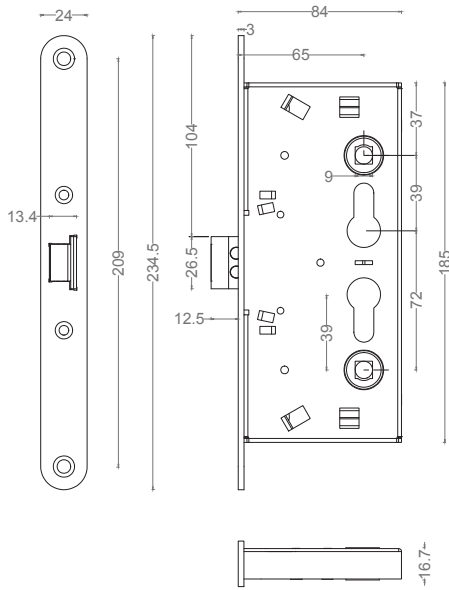
EN1634-1 

Features:

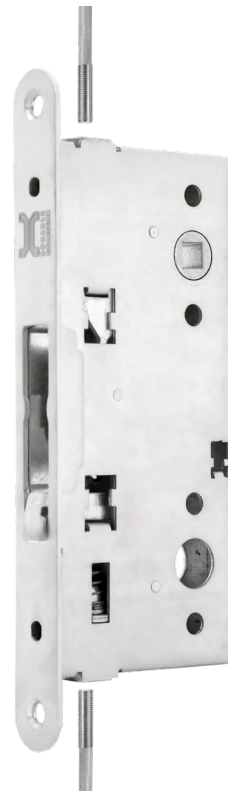
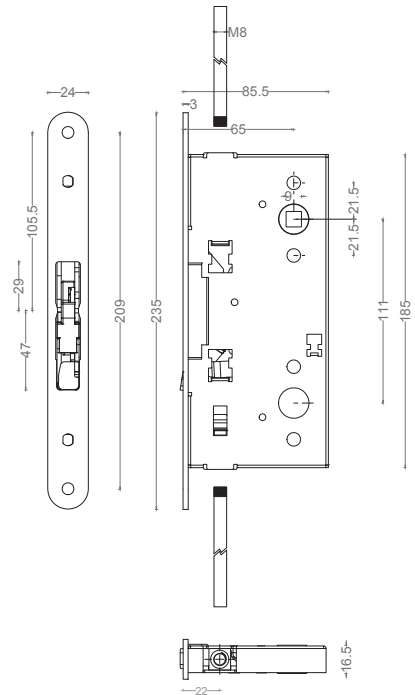
- Area of application: For single or double wooden and metal doors.
- Material: Push bar in Aluminium. Corrosion Resistant steel body.
- Suitable mortise locks: P-6572A for active leaf and P-65XXIN for inactive leaf. Optional L-8072 CR or L-5572 CR (for single leaf only). Sold separately.
- P-65XXIN will be supplied as complete set including concealed vertical rod and accessories.
- Universal handing.
- Outside trim DT112-8 (DIN left or DIN right), sold separately. Specify thickness of the doors while ordering.
- Single cylinder, sold separately.
- Tested successfully to EN 1634-1, 3 hours.
- Standard finish: Mortise locks in Satin Stainless Steel. PHBE in Black/aluminium finish. Other finishes are available upon request.



P-6572A



P-65XXIN



VR SET for P-65XX

