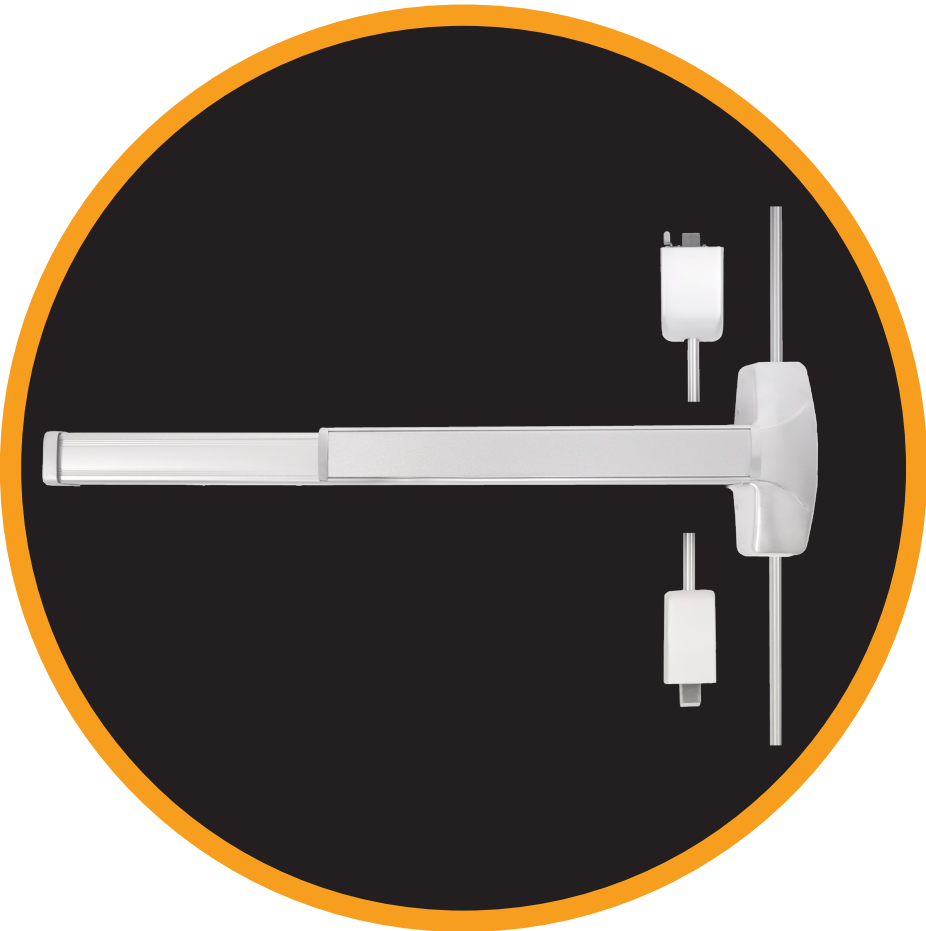
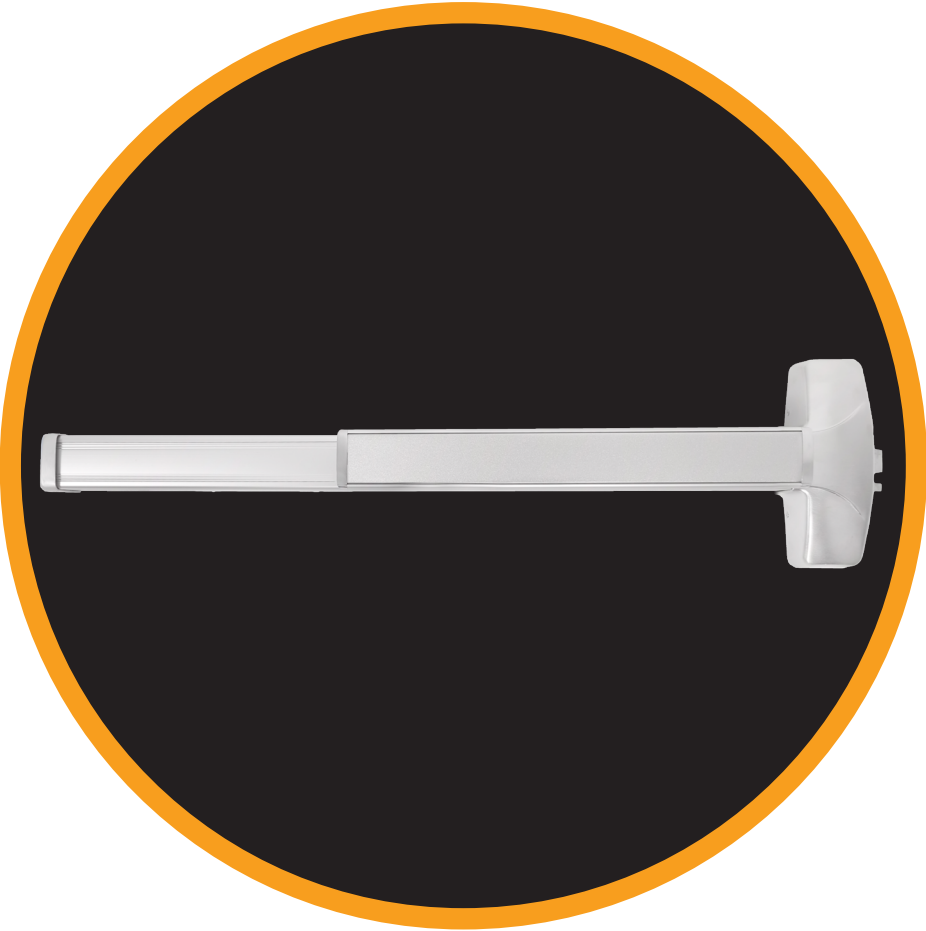


**FIRE EXIT HARDWARE
SERIES FEH**

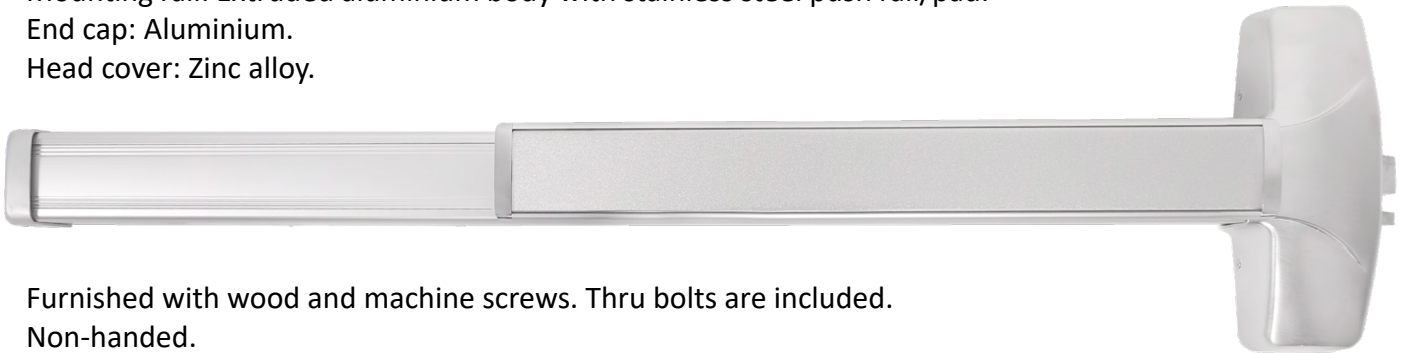


ITEM CODE: 1000RT SERIES

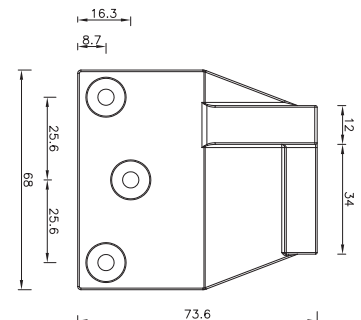
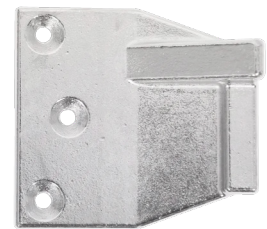


Features:

- Fire exit hardware, Type 1 Rim.
- UL10C up to 3 hrs., for all types of 4'x 8' single doors and 8'x 8' double doors.
- UL file #: GXHX.R25171
- Tested successfully to meet UL10C, UL 305 & ANSI A156.3-2014, Grade 1.
- BHMA CERTIFIED.
- For use in institutions, schools, universities & commercial buildings.
- Doors thickness: 1 3/4" (44.45 mm). Minimum stile width: 4 1/2" (114.3 mm) using standard DT011. Extension kit is available for door thickness up to 93 mm (sold separately).
- Mounting rail: Extruded aluminium body with stainless steel push rail/pad.
- End cap: Aluminium.
- Head cover: Zinc alloy.



- Furnished with wood and machine screws. Thru bolts are included.
- Non-handed.
- Latch bolt: Stainless steel 3/4" (19 mm) projection with anti-pick feature.
- Touch bar projection: Neutral 3 5/8" (92mm), depressed 2 7/8" ((73mm).
- Overlapping strike (SPD159SN) for inactive leaf (sold separately).
- Push pad is available in two lengths:
 - For doors width up to 36" (914.4 mm) - mounting rail can be cut to fit doors up to 30" (762 mm).
 - For doors width up to 48" (1219.2 mm) - mounting rail can be cut to fit doors up to 36" (914.4 mm).
- Dogging: Allen-type key furnished available on non-fire labelled devices.
- DELRK (electrified latch retraction kit), DREXKIT (Request to Exit kit) & DLBMKIT (Latch Bolt Monitoring kit) signal switches are available (sold separately).
- Standard finish: US32D. Other finishes are available upon request (MOQ is a must).

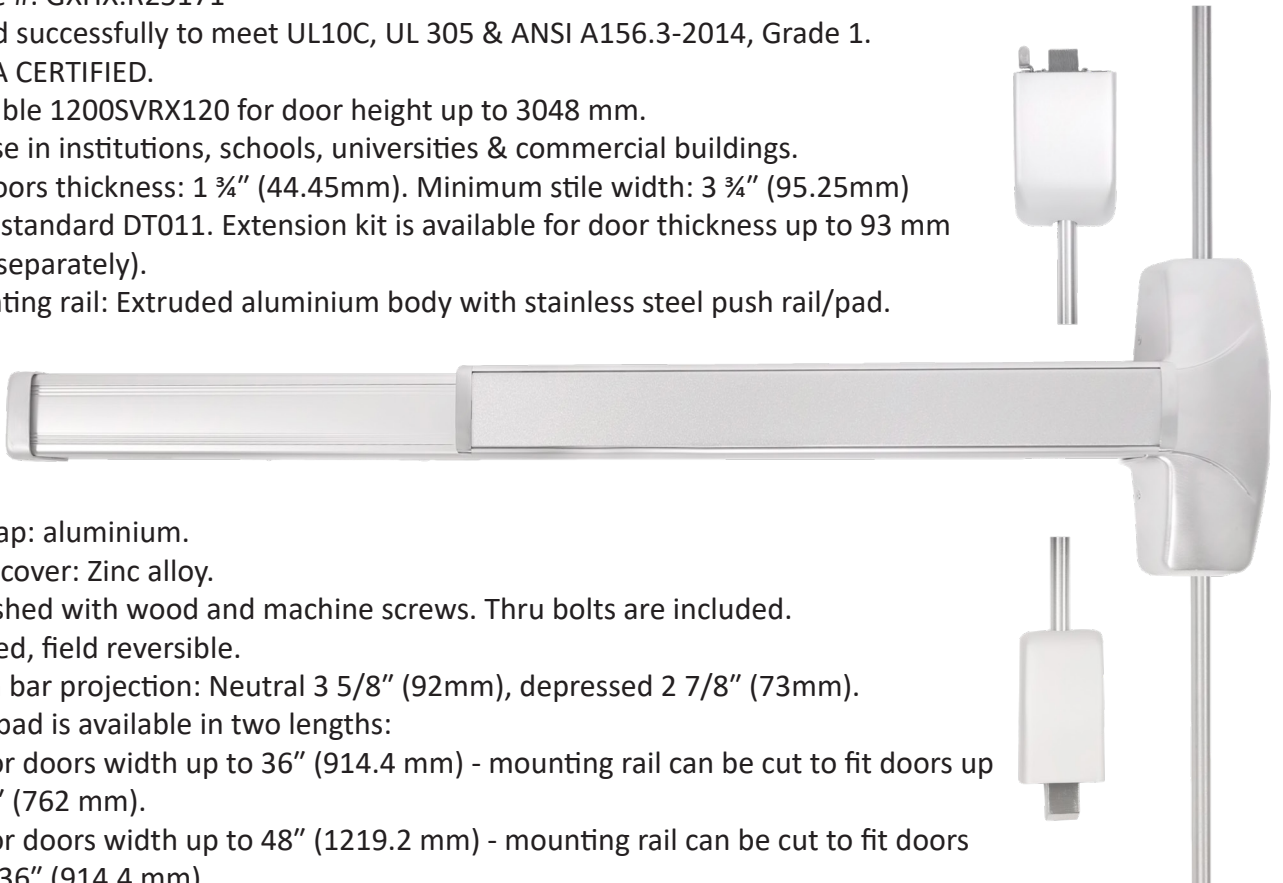


ITEM CODE: 1200SVR SERIES



Features:

- Fire exit hardware, Type 2 Surface Vertical Rod.
- UL10C up to 3 hrs., for all types of 4'x 8' single doors and 8'x 10' double doors.
- UL file #: GXHX.R25171
- Tested successfully to meet UL10C, UL 305 & ANSI A156.3-2014, Grade 1.
- BHMA CERTIFIED.
- Available 1200SVRX120 for door height up to 3048 mm.
- For use in institutions, schools, universities & commercial buildings.
- For doors thickness: 1 3/4" (44.45mm). Minimum stile width: 3 3/4" (95.25mm) using standard DT011. Extension kit is available for door thickness up to 93 mm (sold separately).
- Mounting rail: Extruded aluminium body with stainless steel push rail/pad.



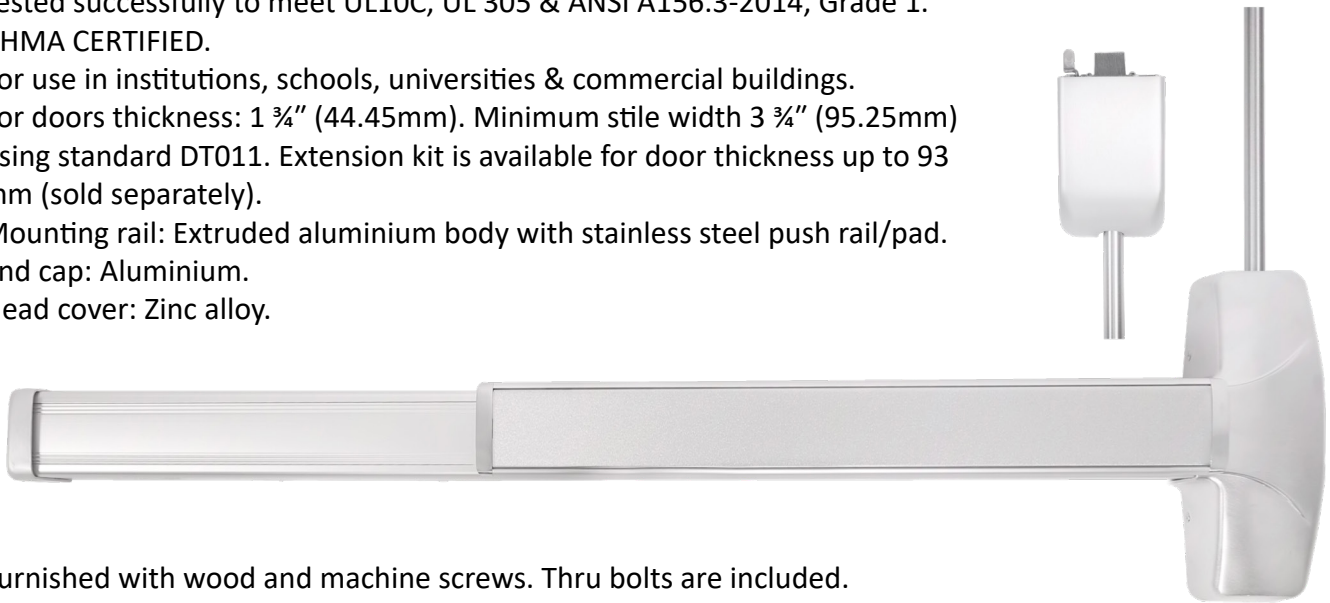
- End cap: aluminium.
- Head cover: Zinc alloy.
- Furnished with wood and machine screws. Thru bolts are included.
- Handed, field reversible.
- Touch bar projection: Neutral 3 5/8" (92mm), depressed 2 7/8" (73mm).
- Push pad is available in two lengths:
 - o For doors width up to 36" (914.4 mm) - mounting rail can be cut to fit doors up to 30" (762 mm).
 - o For doors width up to 48" (1219.2 mm) - mounting rail can be cut to fit doors up to 36" (914.4 mm).
- Dogging: Allen-type key furnished available on non-fire labelled devices.
- DELRK (electrified latch retraction kit) & DREXKIT (Request to Exit kit) signal switches are available (sold separately).
- Standard finish: US32D. Other finishes are available upon request (MOQ is a must).

ITEM CODE: 1200SVRLBR SERIES



Features:

- Fire exit hardware, Type 2 Surface Vertical Top Rod Less Bottom Rod.
- UL10C up to 3 hrs., for all types of 4'x 8' single doors and 8'x 8' double doors.
- UL file #: GXHX.R25171.
- Tested successfully to meet UL10C, UL 305 & ANSI A156.3-2014, Grade 1.
- BHMA CERTIFIED.
- For use in institutions, schools, universities & commercial buildings.
- For doors thickness: 1 3/4" (44.45mm). Minimum stile width 3 3/4" (95.25mm) using standard DT011. Extension kit is available for door thickness up to 93 mm (sold separately).
- Mounting rail: Extruded aluminium body with stainless steel push rail/pad.
- End cap: Aluminium.
- Head cover: Zinc alloy.



- Furnished with wood and machine screws. Thru bolts are included.
- Auxiliary latch bolt DAUXFL inside the packaging.
- Handed, field reversible.
- Touch bar projection: Neutral 3 5/8" (92mm), depressed 2 7/8" (73mm).
- Push pad is available in two lengths:
 - o For doors width up to 36" (914.4 mm) - mounting rail can be cut to fit doors up to 30" (762 mm).
 - o For doors width up to 48" (1219.2 mm) - mounting rail can be cut to fit doors up to 36" (914.4 mm).
- Dogging: Allen-type key furnished available on non-fire labelled devices.
- DELRK (electrified latch retraction kit) & DREXKIT (Request to Exit kit) signal switches are available
- Standard finish: US32D. Other finishes are available upon request (MOQ is a must).



EXTERNAL TRIM, ESCUTCHEON TRIM & PULL DESIGN FOR 1000RT, 1200SVR SERIES

- Rigid, non-clutch mechanism.
- Double heavy-duty spring support to prevent sagging and enhance operation.
- Thru-bolted design. Easily field reversible.
- Hardened steel heavy-duty tailpiece.
- Electrified escutcheon trim, fail safe (DT011EL) or fail secure (DT011EU).
- DT011: Rigid entrance, key locks or unlocks escutcheon trim, operates as classroom function.
- DT011S: Rigid storeroom, key unlocks lever, lever retracts latchbolt, otherwise always locked.
- DT011P: Without cylinder, passage, trim always operable and free.
- DT011D: Dummy escutcheon trim, one sided.

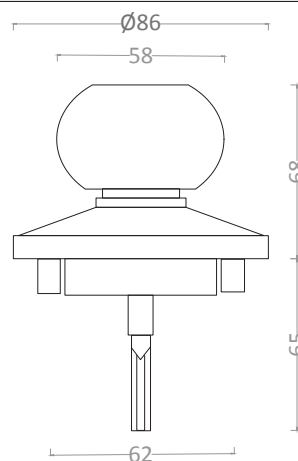


- DPT011P: Pull trim, nightlatch (outside by pull & key, key retracts latchbolt).
- DPT011: Pull trim, pull when dogged.
- Standard 6 pins, mortise cylinder. Available 6 or 7 pins SFIC or LFIC.
- Available with U tube lever handle with mortise cylinder.
- Available with Europrofile cylinder, 5 or 6 pins (not with U lever handle).
- Standard finish US26D, optional US32D for certain models.



EXTERNAL KNOB

- Non-handed.
- Cylindrical body hardened steel heavy-duty tailpiece.
- D3300KC3.5: Rose diameter 3.5", key retracts latchbolt, unlocks lever. Operates as classroom function, ANSI function 08.
- D3300KC3: Rose diameter 3", key retracts latchbolt, unlocks lever. Operates as classroom function, ANSI function 08.
- Keyway: Standard 6 pins
- Standard finish US26D.

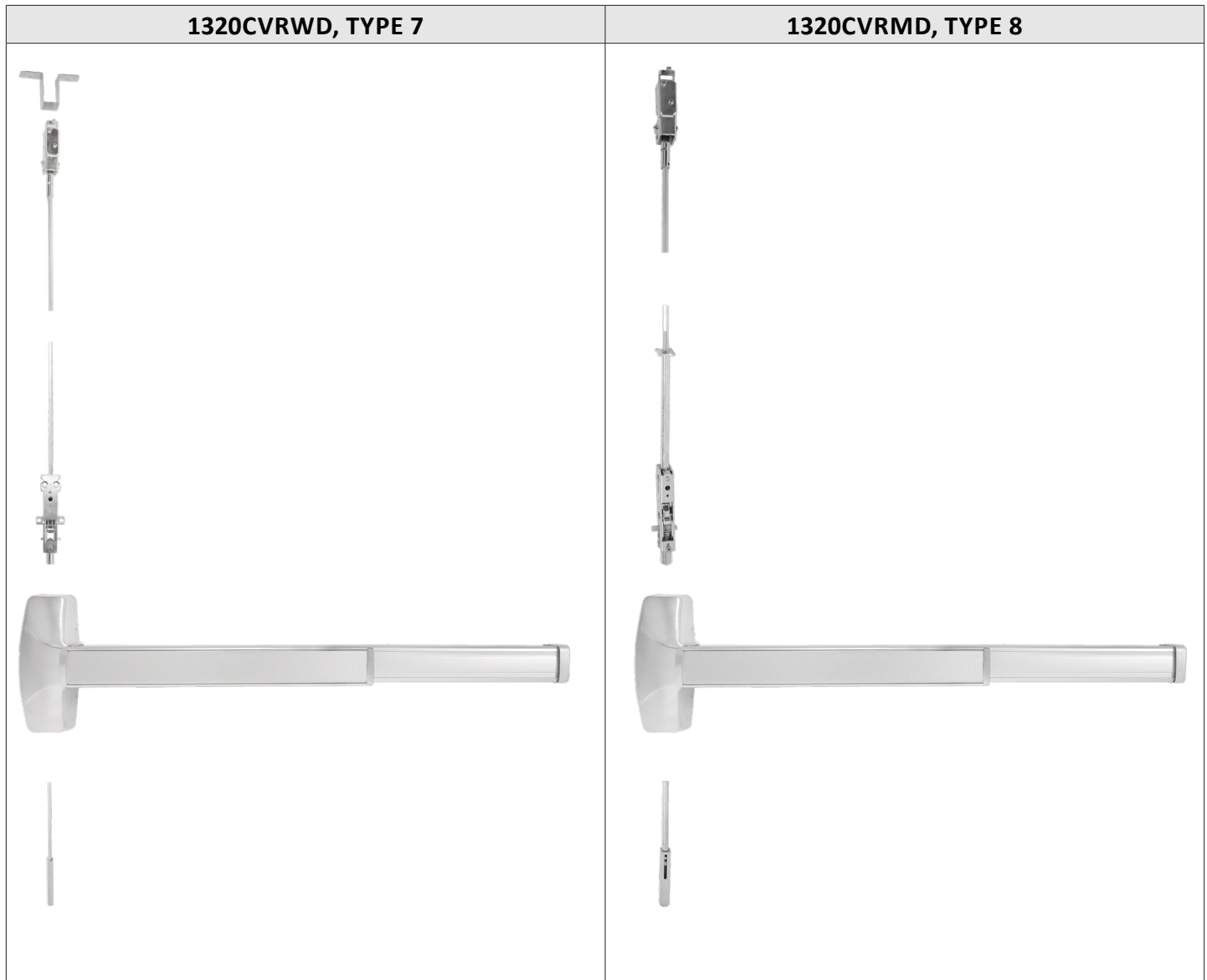


ITEM CODE: 1320CVRMD & 1320CVRWD SERIES



Features:

- Fire exit hardware, Type 7 (wood doors) and Type 8 (metal doors) Concealed Vertical Rod.
- UL file #: GXHX.R25171
- UL10C up to 3 hrs., for all types of 4'x 8' single doors and 8'x 10' double doors.
- Tested successfully to meet UL10C, UL 305 & ANSI A156.3-2014, Grade 1.
- BHMA CERTIFIED.
- Available 1320CVRMDX120 & 1320CVRWDX120 for door height up to 3048 mm.
- For use in institutions, schools, universities & commercial buildings.



- For doors thickness: 1 3/4" (44.45mm). Minimum stile width: 4 1/2" (114mm) using DT012. Outside trim DT012L is available for door thickness up to 64 mm.
- Mounting rail: Extruded aluminium body with stainless steel push rail/pad.
- End cap: Aluminium.
- Head cover: Zinc alloy.
- Top and bottom bolts: Top and Bottom bolt travel 7/16" (11 mm). Projection adjustable up to 1" (25mm).
- Furnished with wood or machine screws. Thru bolts are included.
- Handed, field reversible.
- Touch bar projection: Neutral 3 5/8" (92mm), depressed 2 7/8" (73mm).
- Push pad is available in two lengths:
 - o For doors width up to 36" (914.4 mm) - mounting rail can be cut to fit doors up to 30" (762 mm).
 - o For doors width up to 48" (1219.2 mm) - mounting rail can be cut to fit doors up to 36" (914.4 mm).
- Dogging: Allen-type key furnished available on non-fire labelled devices.
- DELRK (Electrified latch retraction kit) & DREXKIT (Request to Exit kit) signal switches are available.
- Standard finish: US32D. Other finishes are available upon request (MOQ is a must).

EXTERNAL ESCUTCHEON TRIM DT012 SERIES

- Freewheeling, clutch mechanism (deters breaking lever when locked).
- Thru-bolted design. Easily field reversible.
- Hardened steel heavy-duty tailpiece.
- DT012: Rigid entrance, key locks or unlocks escutcheon trim, operates as classroom function.
- DT012S: Rigid storeroom, key unlocks lever, lever retracts latch bolt, otherwise always locked.
- DT012P: Without cylinder, passage, trim always operable and free.
- DT012D: Dummy escutcheon trim, one sided.
- Standard 6 pins, mortise cylinder. Available 6 or 7 pins SFIC or LFIC.
- Standard finish US26D

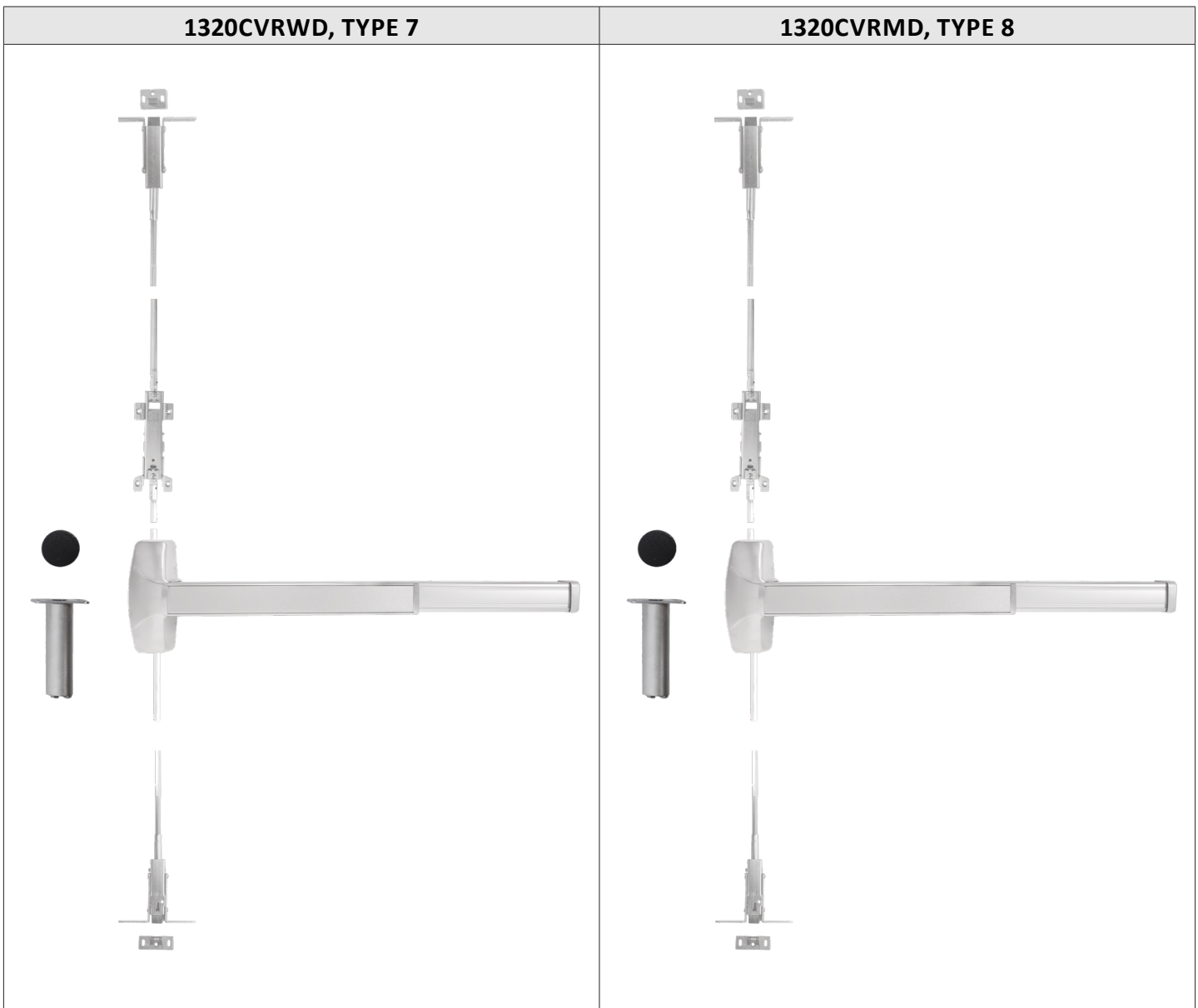


ITEM CODE: 1320CVRMD-2/TP & 1320CVRWD-2/TP SERIES



Features:

- Fire exit hardware, Type 7 (wood doors) and Type 8 (metal doors) Concealed Vertical Rod.
- UL file #: GXHX.R25171.
- UL10C up to 3 hrs., for all types of 4'x 8' single doors and 8'x 8' double doors.
- Tested successfully to meet UL10C, UL 305 & ANSI A156.3-2014, Grade 1.
- BHMA CERTIFIED.
- For use in institutions, schools, universities & commercial buildings.



- For doors thickness: 1 3/4" (44.45mm). Minimum stile width: 4 1/2" (114.3 mm) using standard DT012X.
- Auxiliary latch bolt DAUXFL inside the packaging, for 4 models.
- Optional with LBR (Less Bottom rod), item code 1320CVRMD-1/TPLBR (for steel doors- Type 8) and 1320CVRWD-1-TP/LBR (for wood doors-Type 7). No bottom strike is suitable for free access for wheel chairs, stretchers and carts which eliminates tripping and potential disfiguration of floors due to dragging of bottom bolts.
- Mounting rail: Extruded aluminium body with stainless steel push rail/pad.
- End cap: Aluminium.
- Head cover: Zinc alloy.
- Furnished with wood and machine screws. Thru bolts are included.
- Handed, field reversible.
- Touch bar projection: Neutral 3 5/8" (92mm), depressed 2 7/8" (73mm).
- Available for door height 2133 mm (36 inches) and 2438 mm (96 inches).
- Push pad is available in two lengths:
 - o For doors width up to 36" (914.4 mm) - mounting rail can be cut to fit doors up to 30" (762 mm).
 - o For doors width up to 48" (1219.2 mm) - mounting rail can be cut to fit doors up to 36" (914.4 mm).
- Dogging: Allen-type key furnished available on non-fire labelled devices.
- DELRK (Electrified latch retraction kit) & DREXKIT (Request to Exit kit) signal switches are available.
- Standard finish: US32D. Other finishes are available upon request (MOQ is a must).

EXTERNAL ESCUTCHEON TRIM DT012X SERIES

- Freewheeling, clutch mechanism (deters breaking lever when locked).
- Thru-bolted design. Easily field reversible.
- Hardened steel heavy-duty tailpiece.
- DT012X: Rigid entrance, key locks or unlocks escutcheon trim, operates as classroom function.
- DT012XS: Rigid storeroom, key unlocks lever, lever retracts latch bolt, otherwise always locked.
- DT012XP: Without cylinder, passage, trim always operable and free.
- DT012XD: Dummy escutcheon trim, one sided.
- Standard 6 pins, mortise cylinder. Available 6 or 7 pins SFIC or LFIC.
- Standard finish US26D



ITEM CODE: 1110MLT SERIES



Features:

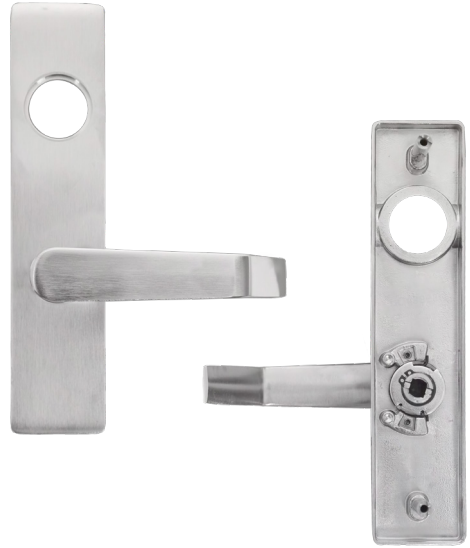
- Fire exit hardware, Type 3 mortise lock.
- Application: For wood/metal doors 1 3/4" (44.5mm) thickness. Minimum stile width: 4 1/2" (114mm) using DT013.
- Mortise backset: 2 3/4" (70mm).
- UL file #: GXHX.R25171
- UL10C up to 3 hrs., for all types of 4'x 8' single doors and 8'x 8' double doors.
- Tested successfully to meet UL10C, UL 305 & ANSI A156.3-2014, Grade 1.
- BHMA CERTIFIED.
- For use in institutions, schools, universities & commercial buildings.
- Mounting rail: Extruded aluminium body with stainless steel push rail/pad.
- End cap: Aluminium.
- Head cover: Zinc alloy.



- Furnished with wood and machine screws. Thru bolts are included.
- Mortise lock: Handed, non-field reversible.
- Strike: Standard ANSI strike.
- Touch bar projection: Neutral 3 5/8" (92mm), depressed 2 7/8" (73mm).
- Push pad is available in two lengths:
 - o For doors width up to 36" (914.4 mm) - mounting rail can be cut to fit doors up to 30" (762 mm).
 - o For doors width up to 48" (1219.2 mm) - mounting rail can
- Cylinder dogging: Available for non-fire labelled devices.
- DELRK (Electrified latch retraction kit) & DREXKIT (Request to Exit kit) signal switches are available.
- Standard finish: US32D. Other finishes are available upon request (MOQ is a must).

EXTERNAL ESCUTCHEON TRIM DT013 SERIES

- Door thickness 1 3/4" (44 mm).
- Trim non-handed
- DT013: Rigid entrance, key locks or unlocks escutcheon trim, operates as classroom function.
- DT013S: Rigid storeroom, key retracts latchbolt, otherwise always locked.
- DT013P: Without cylinder, passage, trim always operable and free.
- DT013D: Dummy escutcheon trim, one sided.
- Standard 6 pins, mortise cylinder. Available 6 or 7 pins SFIC or LFIC.
- Standard finish US26D



OPEN BACK STRIKE

RIGHT HAND REVERSE



LEFT HAND REVERSE



ITEM CODE: 1110MLTX SERIES



Features:

- Fire exit hardware, Type 3 mortise lock.
- Application: For wood/metal doors 1 3/4" (44.5mm) thickness.
- Mortise backset: 2 3/4" (70mm).
- UL file #: GXHX.R25171
- UL10C up to 3 hrs., for all types of 4'x 8' single doors and 8'x 8' double doors.
- Tested successfully to meet UL10C, UL 305 & ANSI A156.3-2014, Grade 1.
- BHMA CERTIFIED.
- For use in institutions, schools, universities & commercial buildings.
- Mounting rail: Extruded aluminium body with stainless steel push rail/pad.
- End cap: Aluminium.
- Head cover: Zinc alloy.
- Furnished with wood and machine screws. Thru bolts are included.



- Mortise lock: Easy field reversible.
- Mortise lock is available in two versions: Standard classroom (Entrance) or optional Storeroom function.
- Strike: Standard ANSI strike.
- Open back strike (handed) is available.
- Touch bar projection: Neutral 3 5/8" (92mm), depressed 2 7/8" (73mm).
- Push pad is available in two lengths:
 - o For doors width up to 36" (914.4 mm) - mounting rail can be cut to fit doors up to 30" (762 mm).
 - o For doors width up to 48" (1219.2 mm) - mounting rail can be cut to fit doors up to 36" (914.4 mm).
- Cylinder dogging: Available for non-fire labelled devices.
- DELRK (Electrified latch retraction kit) & DREXKIT (Request to Exit kit) signal switches are available.
- Standard finish: US32D. Other finishes are available upon request (MOQ is a must).

EXTERNAL ESCUTCHEON TRIM DT013X SERIES

- Door thickness 1 3/4" (44 mm).
- Trim non-handed
- DT013X: Rigid entrance, key locks or unlocks escutcheon trim, operates as classroom function.
- DT013XS: Rigid storeroom, key retracts latchbolt, otherwise always locked.
- DT013XP: Without cylinder, passage, trim always operable and free.
- DT013XD: Dummy escutcheon trim, one sided.
- Standard 6 pins, mortise cylinder. Available 6 or 7 pins SFIC or LFIC.
- Standard finish US26D



OPEN BACK STRIKE

RIGHT HAND REVERSE



LEFT HAND REVERSE



ITEM CODE: 1000RTC SERIES

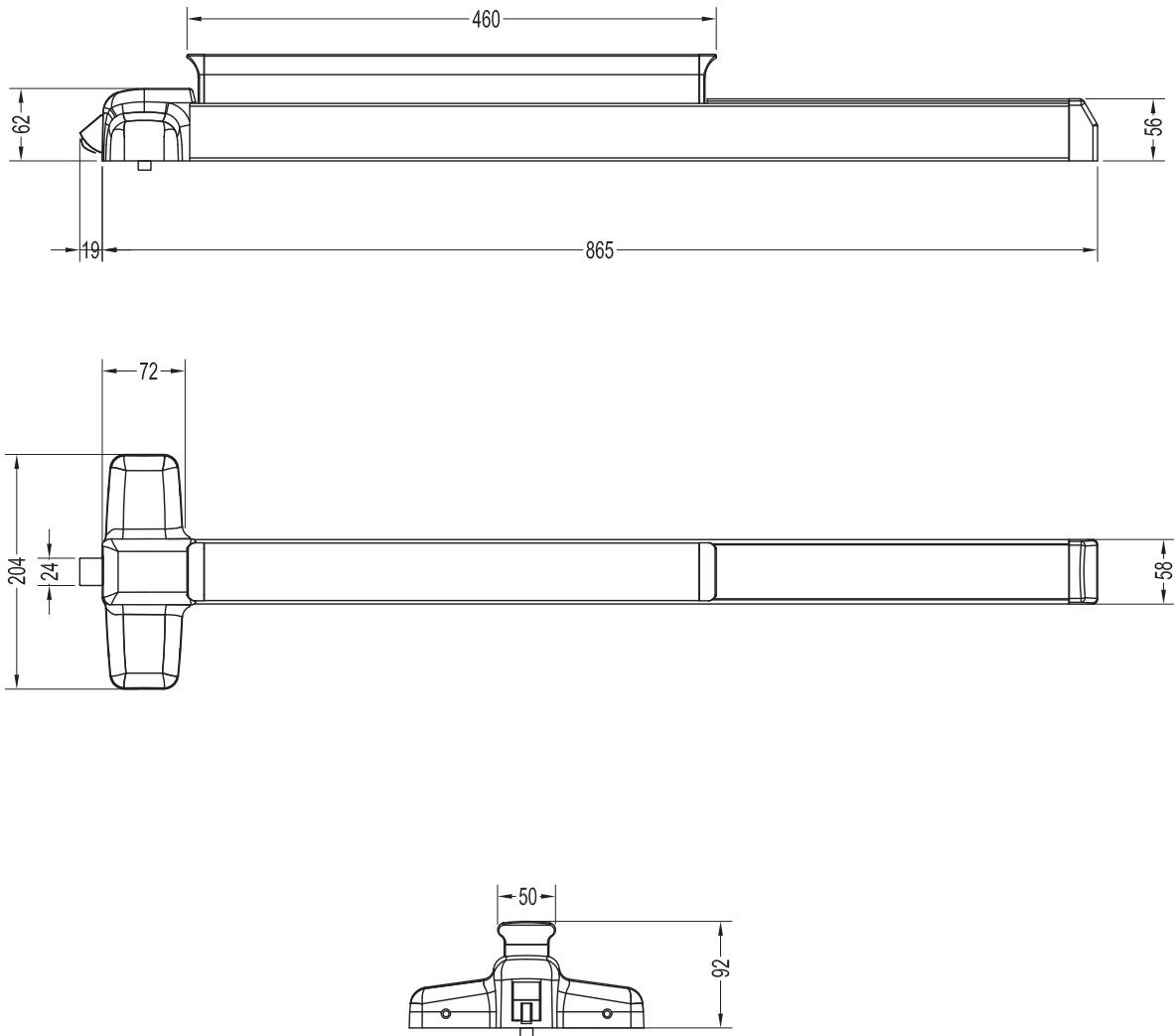
Features:

- Fire exit hardware, Type 1 Rim.
- Application: for wood/metal doors.
- UL LISTED, for all types of 4'x 8' single doors and 8'x 8' double doors.
- UL file #: GXHX.R25171
- Tested successfully to meet UL10C, UL 305 & ANSI A156.3-2014, Grade 1.
- BHMA CERTIFIED.
- For use in institutions, schools, universities & commercial buildings.



- Doors thickness: 1 3/4" (44.45 mm).
- Non-handed.
- Latch bolt: Stainless steel 3/4" (19 mm) projection with anti-pick feature.
- Touch bar projection: neutral 92mm.
- Push pad is available in two lengths:
 - o For doors width between 635 and 914 mm - select 1000RTC-36.
 - o For doors width between 812 and 1219 mm - select 1000RTC-48.
- Push pad is available in two lengths: 460 mm (36") and 615 mm (48").
- Standard finish: US32D. Other finishes are available upon request.
- Available outside trims: DT009C series.

FIRE-EXIT HARDWARE 1000RTC-36



ITEM CODE: 1200SVRC SERIES

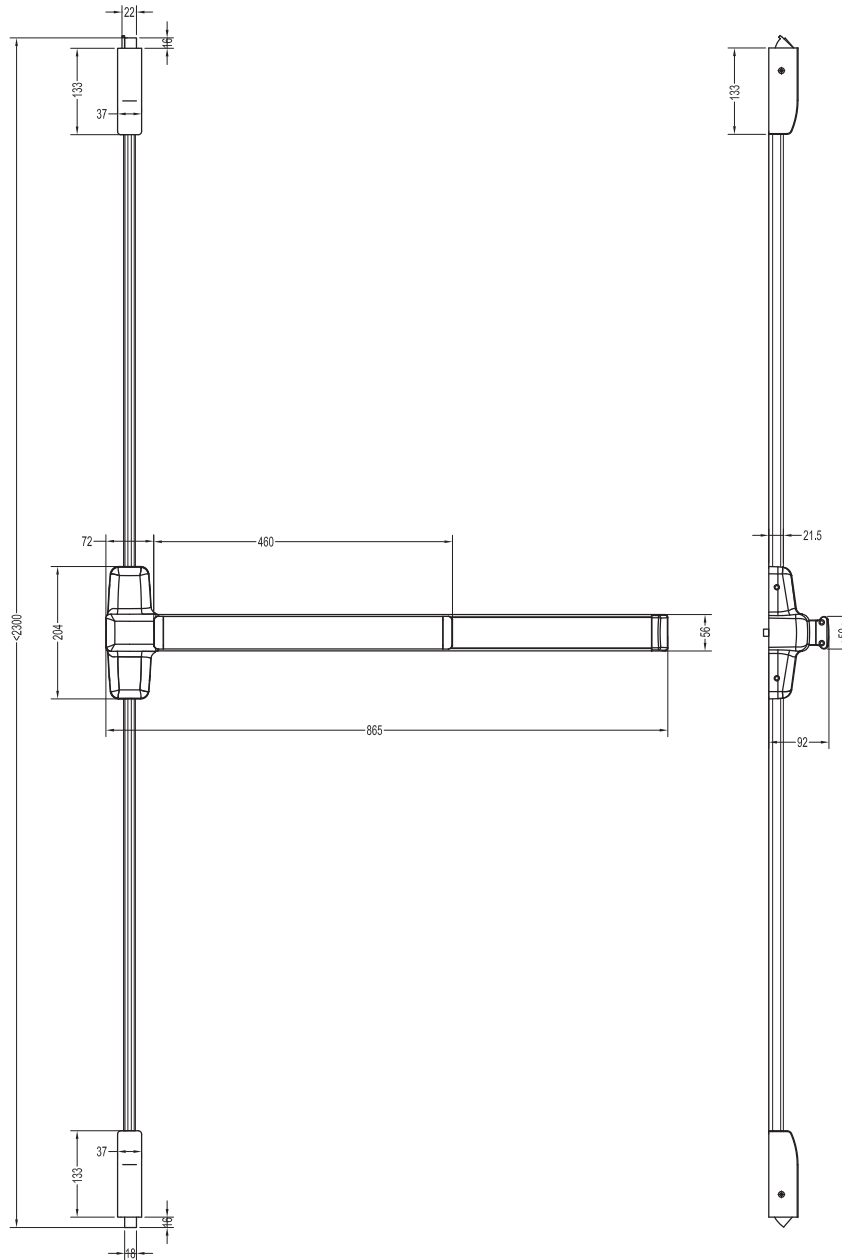
Features:

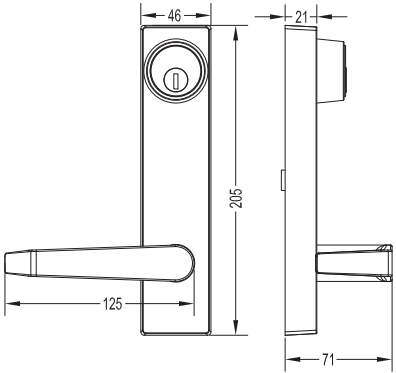
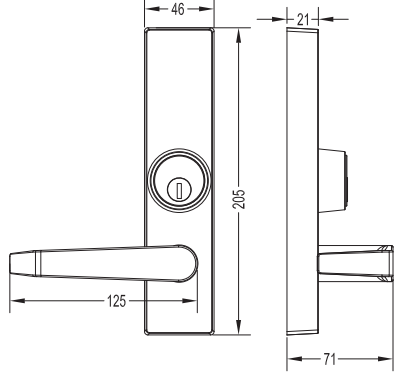
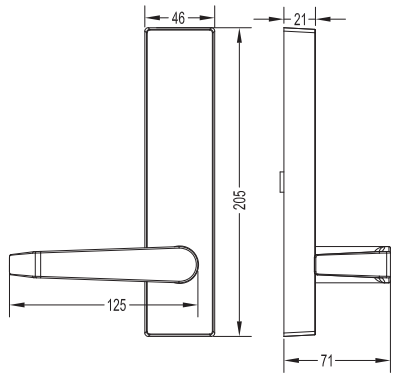
- Fire exit hardware, Type 2 Surface Vertical Rod.
- Application: for wood/metal doors.
- UL LISTED, for all types of 4'x 8' single doors and 8'x 7' double doors.
- UL file #: GXHX.R25171
- Tested successfully to meet UL10C, UL 305 & ANSI A156.3-2014, Grade 1.
- BHMA CERTIFIED.
- For use in institutions, schools, universities & commercial buildings.

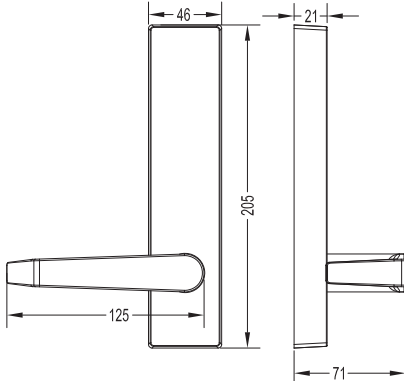
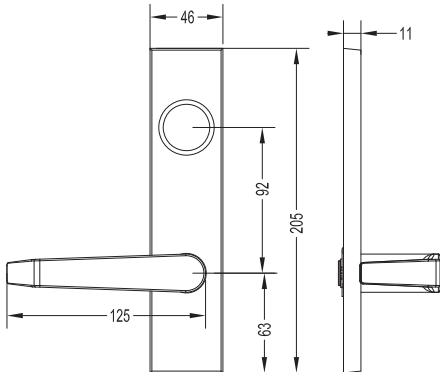


- Doors thickness: 1 ¾" (44.45 mm).
- Non-handed.
- Latch bolt: Stainless steel.
- Touch bar projection: neutral 92mm.
- Push pad is available in two lengths:
 - o For doors width between 635 and 914 mm - select 1200SVRC-36.
 - o For doors width between 812 and 1219 mm - select 1200SVRC-48.
- Push pad is available in two lengths: 460 mm (36") and 615 mm (48").
- Standard finish: US32D. Other finishes are available upon request.
- Available outside trims: DT009C series.

FIRE-EXIT HARDWARE 1200SVRC-36



DT009C-CR (CLASSROOM)	DT009C-NL/ST (NIGHTLATCH)	DT009C-PA (PASSAGE)
		

DT009C-DU (DUMMY)	DT009C-EU/EL (ELECTRIFIED)
	

ITEM CODE:1110MLTC SERIES



Features:

- Fire exit hardware, Type 3 mortise lock.
- Application: for wood/metal doors.
- UL file #: GXHX.R25171.
- Tested successfully to meet UL10C, UL 305 & ANSI A156.3-2014, grade 1.
- BHMA CERTIFIED.
- For use in institutions, schools, universities & commercial buildings.
- To purchase easy field reversible classroom mortise lock (1005L series and related lever handles) separately. Refer to catalogue of DML1000L series.
- Touch bar projection: neutral 92mm.
- Push pad is available in two lengths:
 - o For doors width between 635 and 914 mm - select 1110MLTC-36.
 - o For doors width between 812 and 1219 mm - select 1110MLTC-48.
- Push pad is available in two lengths: 460 mm (36") and 615 mm (48").
- Standard finish: US32D. Other finishes are available upon request.

