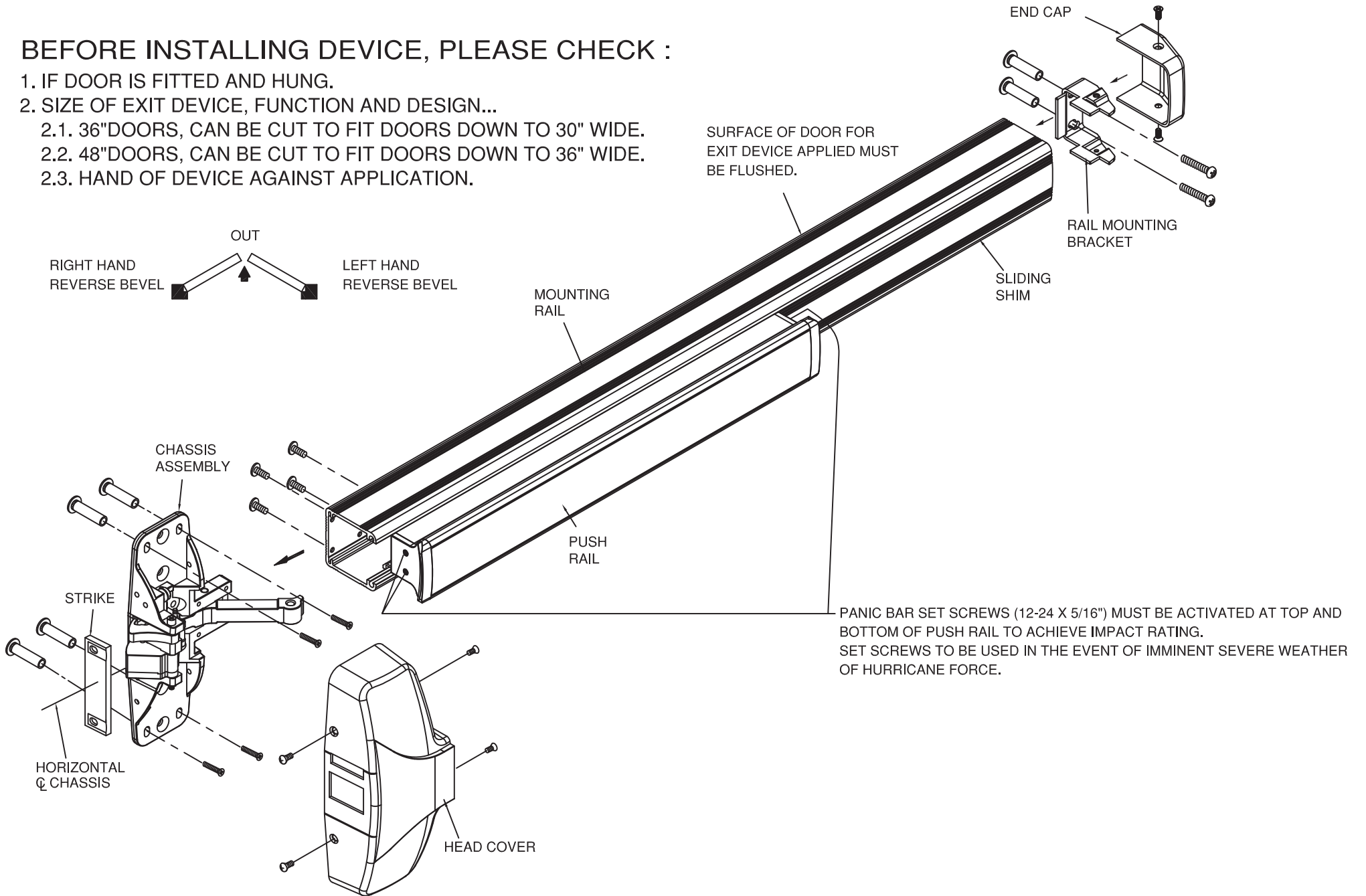


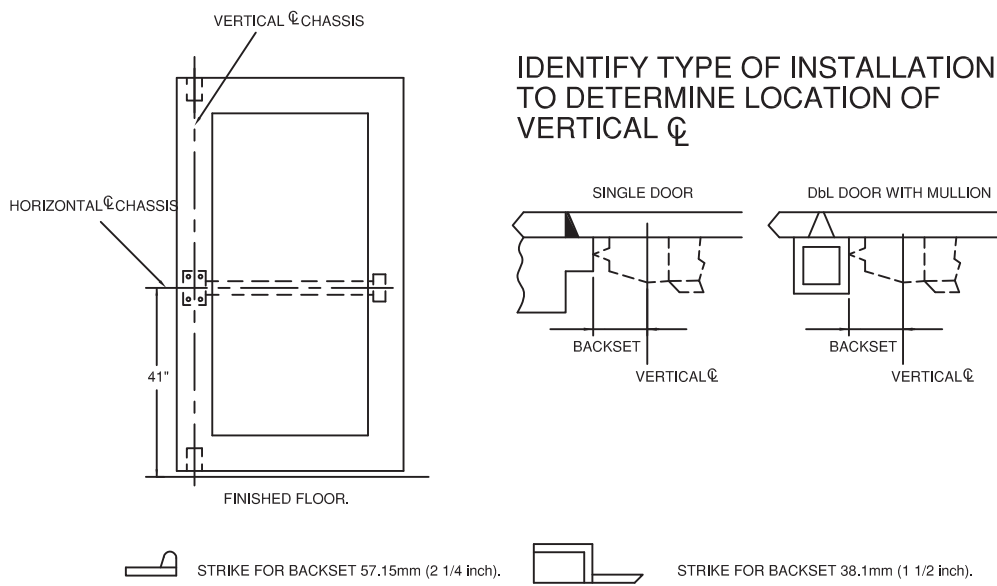
BEFORE INSTALLING DEVICE, PLEASE CHECK :

1. IF DOOR IS FITTED AND HUNG.
2. SIZE OF EXIT DEVICE, FUNCTION AND DESIGN...
 - 2.1. 36" DOORS, CAN BE CUT TO FIT DOORS DOWN TO 30" WIDE.
 - 2.2. 48" DOORS, CAN BE CUT TO FIT DOORS DOWN TO 36" WIDE.
 - 2.3. HAND OF DEVICE AGAINST APPLICATION.

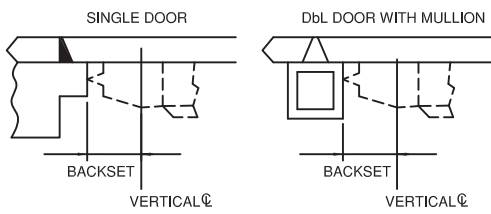


1. PREPARE DOOR

MARK VERTICAL \varnothing CHASSIS AND HORIZONTAL \varnothing CHASSIS USING DIMENSIONS BELOW. MOUNTING SCREW HOLES.

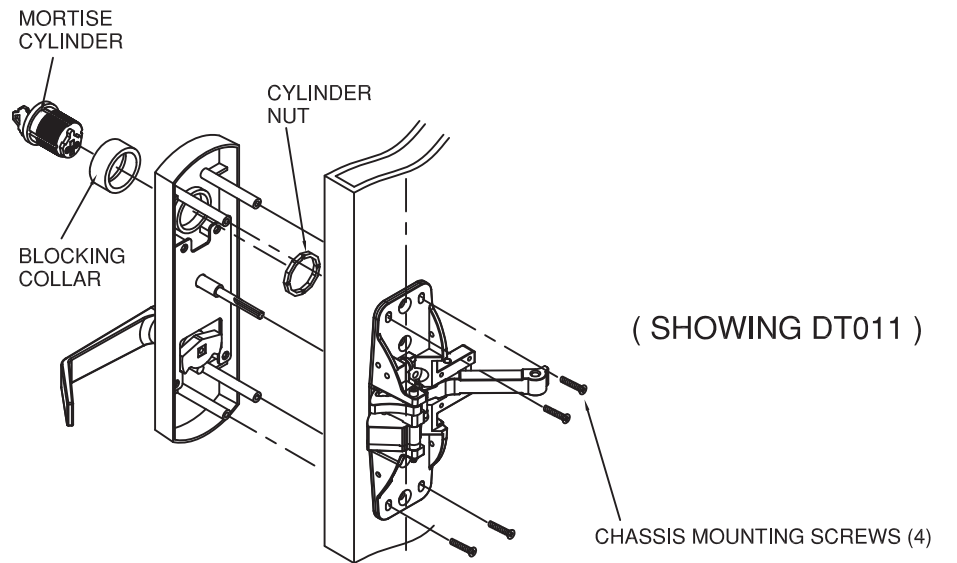


IDENTIFY TYPE OF INSTALLATION TO DETERMINE LOCATION OF VERTICAL \varnothing



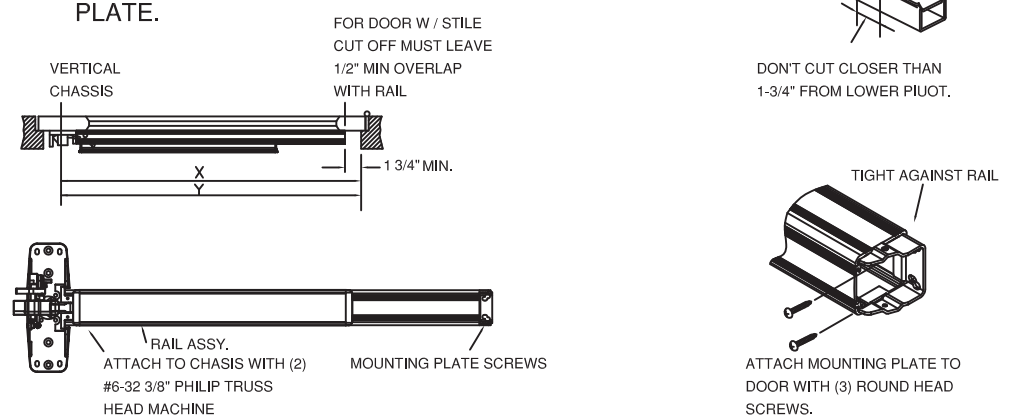
STRIKE FOR BACKSET 57.15mm (2 1/4 inch). STRIKE FOR BACKSET 38.1mm (1 1/2 inch).

2. APPLY HARDWARE



3. APPLY RAIL ASSEMBLY

- 3.1 CHECK THE SIZE OF DEVICE, IF CUTTING TO LENGTH IS REQUIRED.
- 3.2 DETERMINE CUT OFF LENGTH "X" BY SUBTRACTING 1-3/4" FROM "Y". MARK CUT OFF POINT ON MOUNTING RAIL.
- 3.3 DEPRESS ARM INTO RAIL OPENING AND SLIDE RAIL ONTO CHASSIS. LEVEL RAIL AND FASTEN CHASSIS AND MOUNTING PLATE.



4. APPLY COVER AND STRIKES

