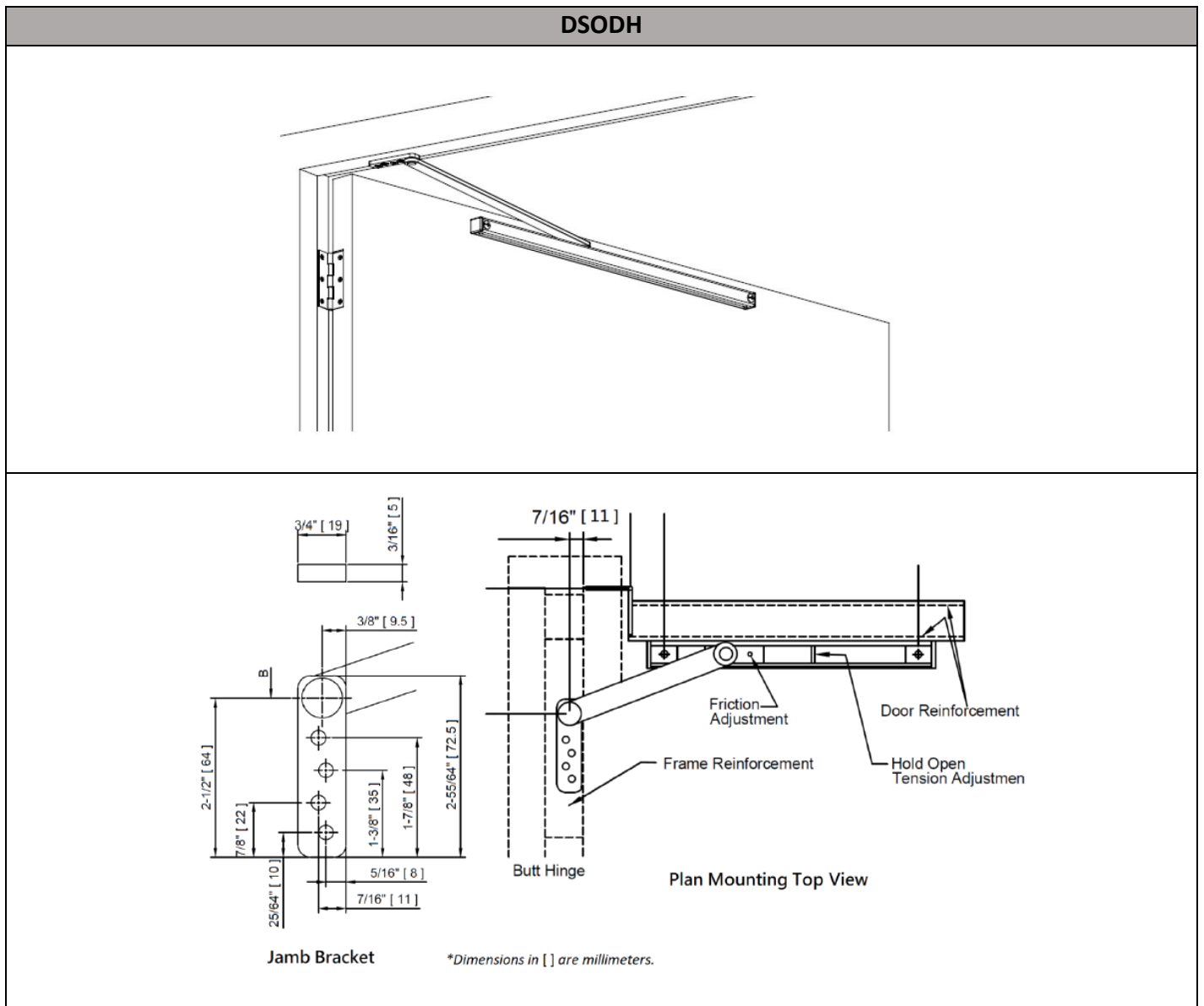
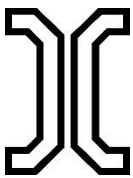


## ITEM CODE: DSODH & DCODH SERIES

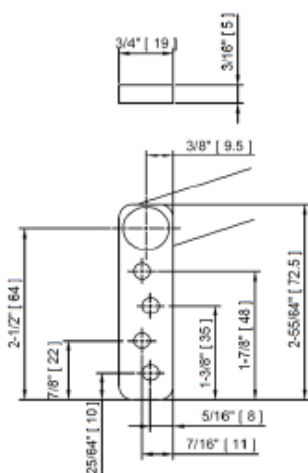
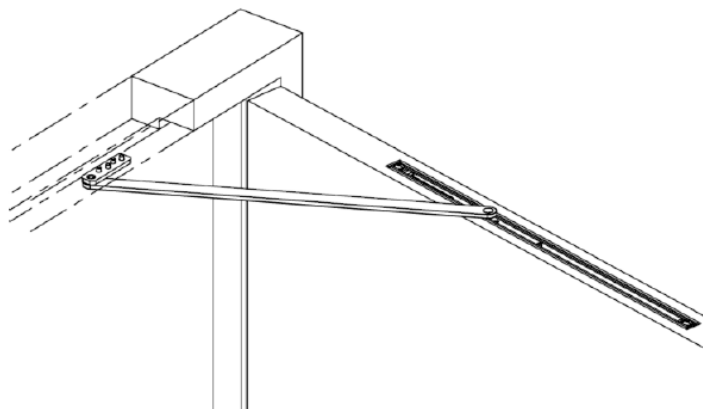
### Features:

- Overhead surface mounted (DSODH) and concealed (DCODH) door holders.
- Recommended for moderate traffic and medium weight interior single acting doors.
- Complete set screws for wood and metal doors.
- Main material of channel and arm: steel or stainless steel.
- Each series is available in 5 sizes, except for some sizes when using centre hung for DCODH.
- Each series is available in 3 types: stop only, hold open only and friction only (adjust the closing speed).
- Non-handed.
- Opening angle: 85° to 110°
- Standard finishes: 689 and SSS. Other finishes are available upon request.



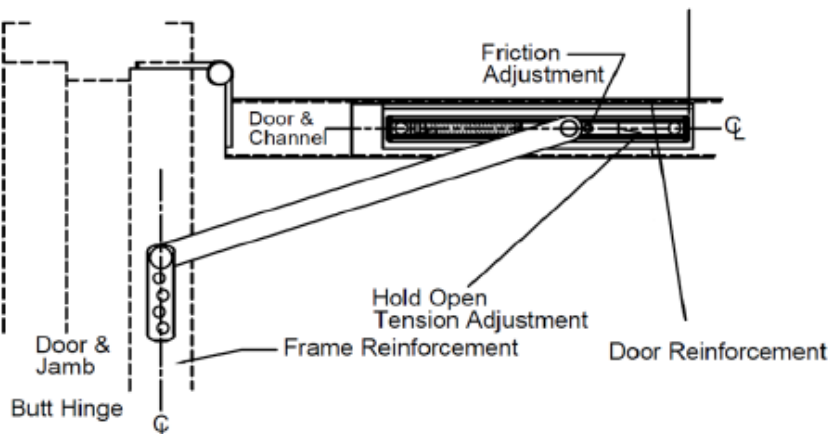


**DCODH**



**Jamb Bracket**

*\*Dimensions in [ ] are millimeters.*



**Plan Mounting Top View**

**Door opening chart for DSODH:**

SIZE	Butts/offset pivots				Center Hung			
	Door opening	Stop only	Hold open	friction	Door opening	Stop only	Hold open	friction
1	18" to 23"	available	available	available	23-1/16" to 27"	available	available	available
2	23-1/16" to 27"	available	available	available	27-1-16" to 33"	available	available	available
3	27-1-16" to 33"	available	available	available	33-1/16" to 39"	available	available	available
4	33-1/16" to 39"	available	available	available	39-1/16" to 45"	available	available	available
5	39-1/16" to 45"	available	available	available	45-1/16" to 51"	available	available	available

**Door opening chart for DCODH:**

SIZE	Butts/offset pivots				Center Hung			
	Door opening	Stop only	Hold open	friction	Door opening	Stop only	Hold open	friction
1	18" to 23"	available	available	available				
2	23-1/16" to 27"	available	available	available				
3	27-1-16" to 33"	available	available	available	33-1/16" to 39"	available	available	available
4	33-1/16" to 39"	available	available	available	39-1/16" to 45"	available	available	available
5	39-1/16" to 45"	available	available	available	45-1/16" to 51"	available	available	available