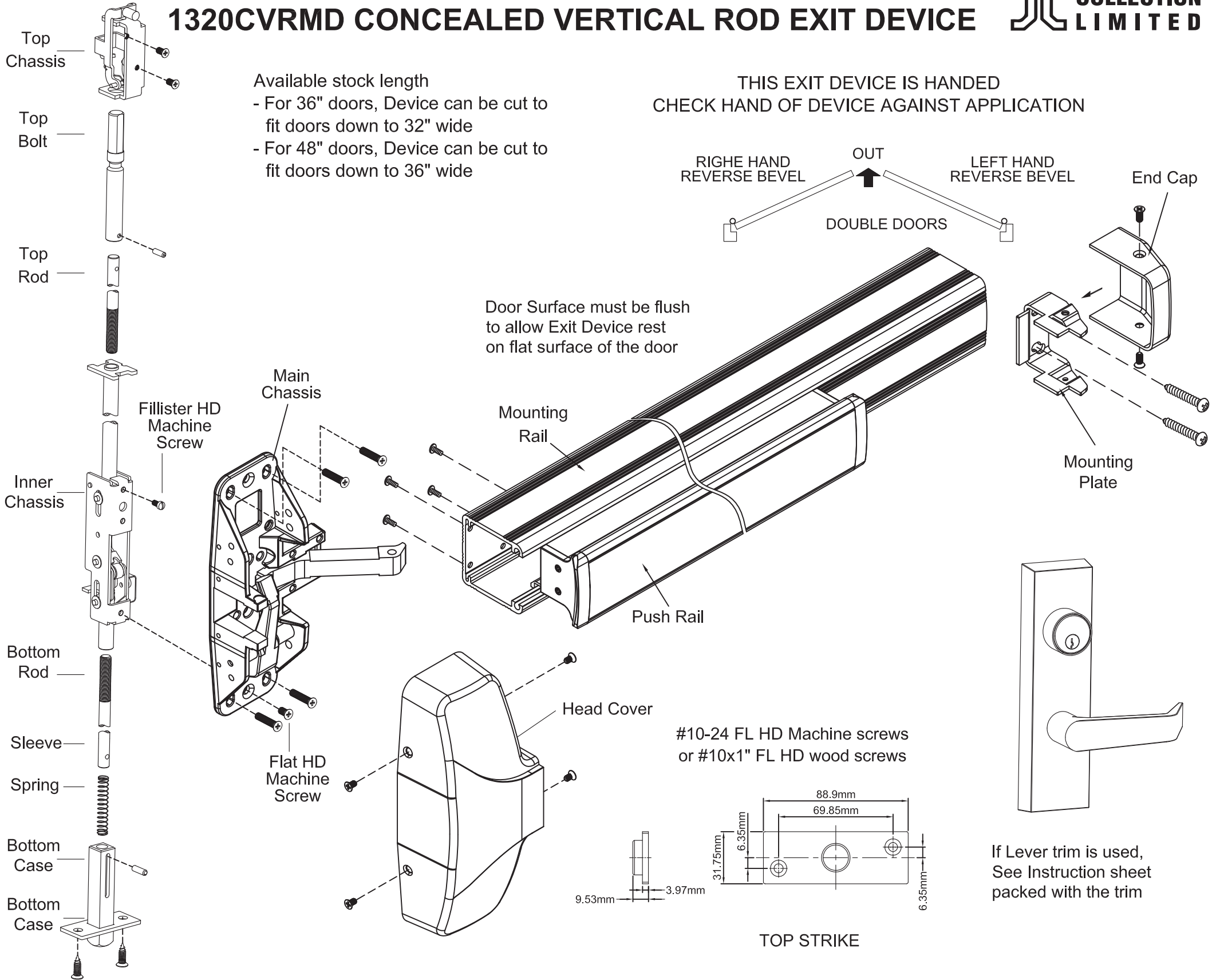


INSTRUCTIONS FOR INSTALLING 1320CVRMD CONCEALED VERTICAL ROD EXIT DEVICE

**DURABLE
COLLECTION
LIMITED**



1. PREPARE DOOR

INSIDE SURFACE OF LHRB DOOR SHOWN

POSITION OF MOUNTING SCREW HOLES ARE IDENTICAL FOR EITHER HAND DRILL (2) Ø6.35mm HOLES

DRILL AND TAP HINGE STILE FOR #10-24 SCREW USE MOUNTING PLATE TO

DRILL AND TAP. 3/16"-24 4 HOLES

DRILL AND CUTOUT THIS SIDE OF DOOR ONLY

15.88mm TYPICAL UNDER CUT BOTTOM OF DOOR

FINISHED FLOOR

2. MOUNT ROD & CHASSIS

Use Strike Furnished

- Screw top and bottom rod into inner chassis, and insert this ass'y into the door and fasten inner chassis in place with Fillister HD and flat HD machine screws
- Adj top and bottom Rods
- Position and fasten top and bottom chassis in place
- Before hanging door, fasten bottom plate to door
- If Lever trim is used, mount it before mounting main chassis

Attach cover to chassis with two cover screws

Attach end cap to mounting plate with two cover screws

3. MOUNT RAIL ASS'Y

1. Determine cut-off dimension "X" by subtracting 28.58mm from dimension "Y"
2. Depress arm into rail opening and slide rail onto chassis dimension "Y"

RAIL MUST OVERLAP STILE BY 5/16" MIN

MARK CUT-OFF POINT ON MOUNTING RAIL CUT-OFF AND DEBURR

INSERT

CUT-OFF LENGTH

VERTICAL REFERENCE LINE (CHASSIS)

4. ATTACH COVER

- Attach cover to chassis with two cover screws

5. OPERATION CHECK

- 5.1. Depress Push rail, bolt should retract into door. The latch retractor button should pop out and hold the bolt retracted until button is depressed
- 5.2. If button does not pop out, remove top chassis and screw the top rod in one turn. Replace top chassis and repeat above operation