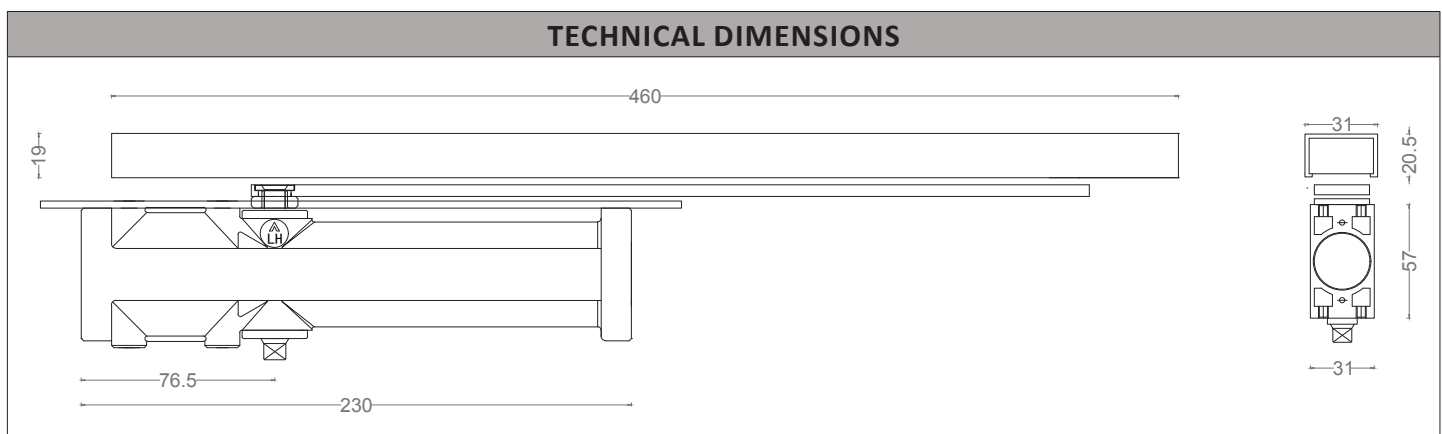
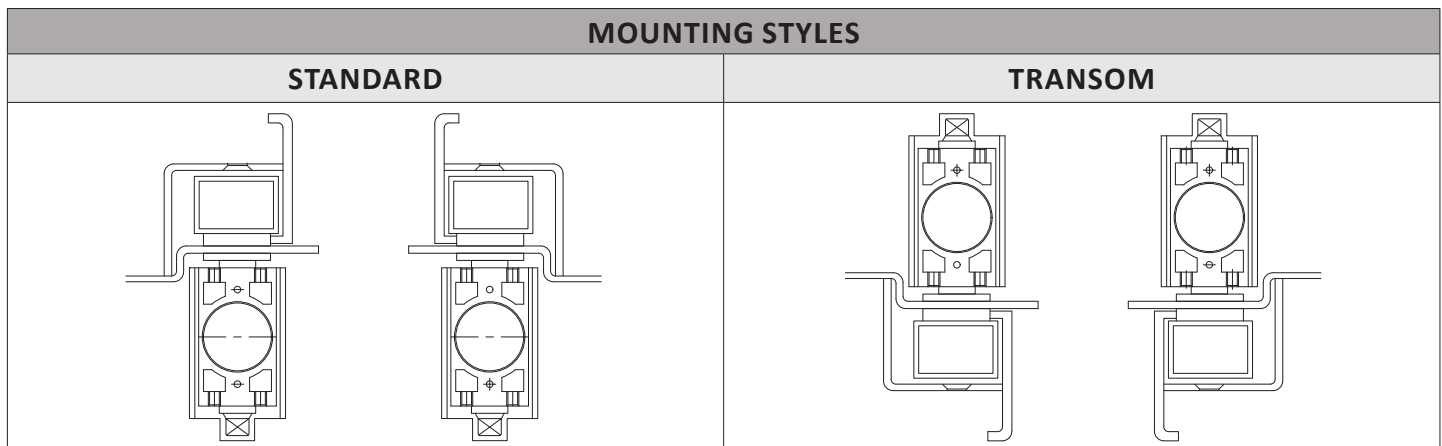


ITEM CODE: DC6203G



Features:

- Fixed power size 3.
- UL listed. UL10C 3 hours fire rated.
- UL file #: GVEV.R39005.
- Cast aluminium body. Non-handed.
- Standard sweep, latching speed, hold open function and guide rail.
- Regular and transom mounting installation.
- Standard finish: Silver (Aluminium-SE).
- Other finishes are available upon request.



ITEM CODE: DC6224BCG

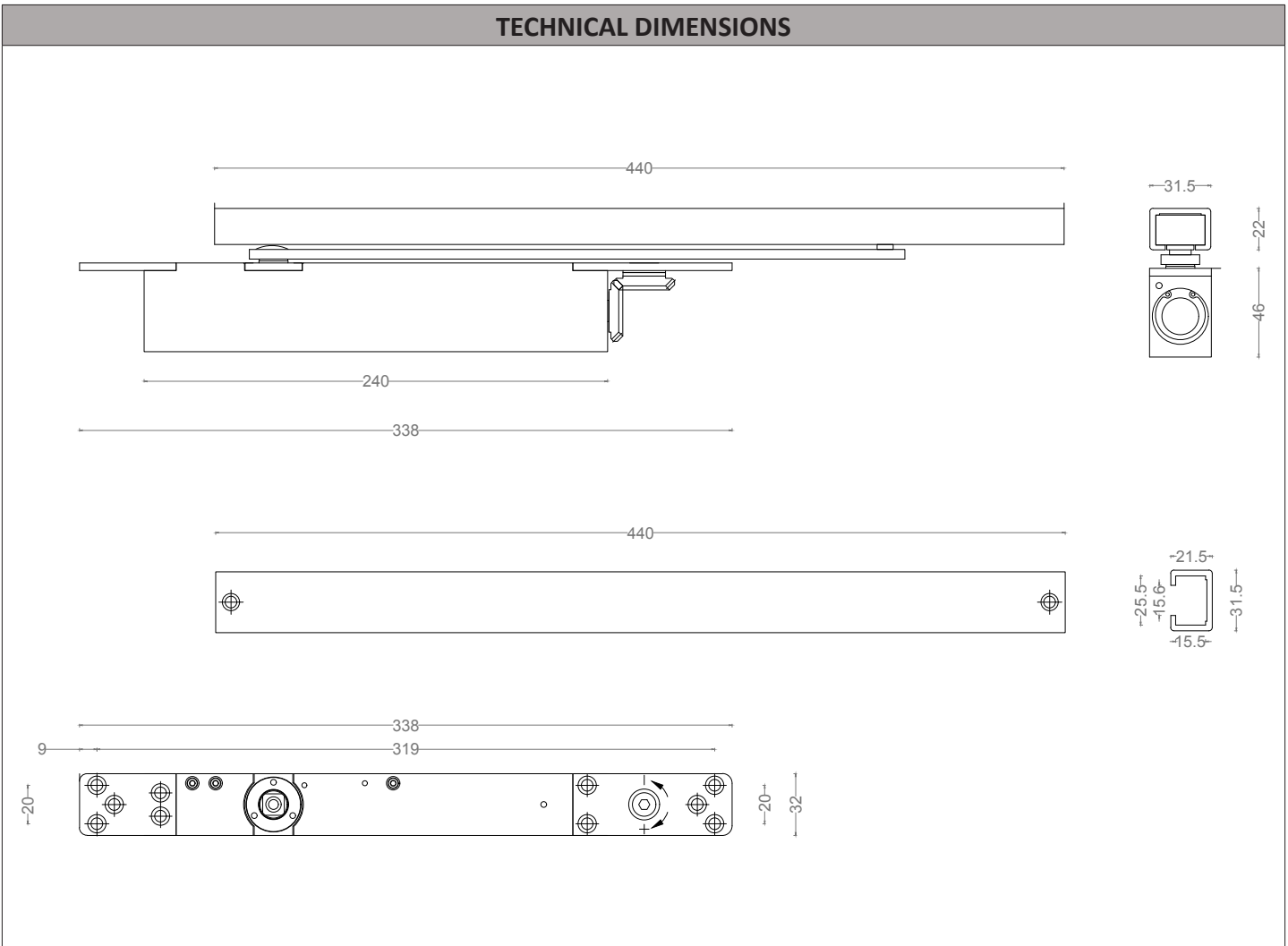


Features:

- Overhead concealed cam action door closer.
- Adjustable power size 2-4.
- Standard adjustable sweep and latching speed.
- CE marked: 0905-CPR-192576-01
- Tested and certified to BS EN 1154:1996/A1:2002/AC: 2006 & BS EN 1634-1:2014.
- DoP (Declaration of Performance) available on website or on request.
- UL listed. UL10C 3 hours fire rated.
- Tested to meet ANSI A156.4 Grade 3. UL file # FUOR.R39005.
- UL file #: GVEV.R39005.
- BHMA CERTIFIED.
- Extruded aluminium body.
- Maximum opening angle 120 degree.
- Standard adjustable backcheck. Guide rail. Non- handed.
- Suitable for door thickness 44 mm and above. Standard wood and machine screws pack.
- Standard finish: Silver (Aluminium- SE).
- Other finishes are available upon request.



MOUNTING STYLES	
STANDARD	TRANSOM



As per ANSI Standard:

MODEL#	CLOSER SIZE	MAXIMUM WIDTH OF DOOR(MM)
DC6224BCG	2-4	864 - 1219

As per EN Standard:

CATEGORY OF USE	NUMBER OF TEST CYCLES	TEST DOOR MASS/ SIZE	FIRE BEHAVIOUR	SAFETY	CORROSION RESISTANCE
3	8	2/4	1 <sup>a</sup>	1	4

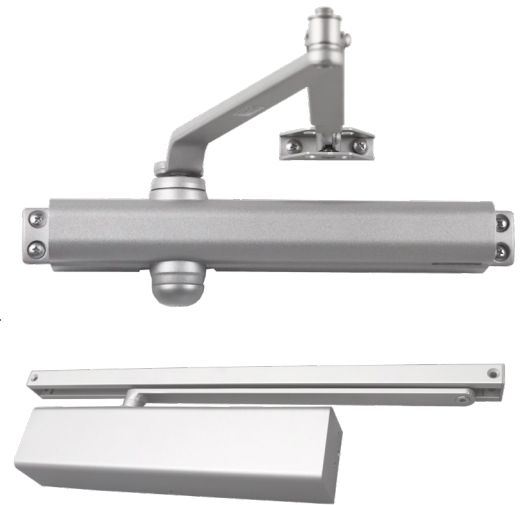
Door closer power size: leaf maximum width 1100mm, test door mass 80kg.

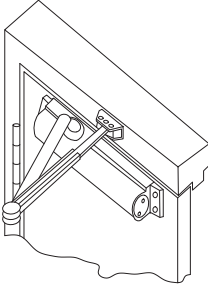
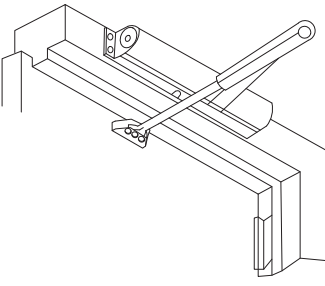
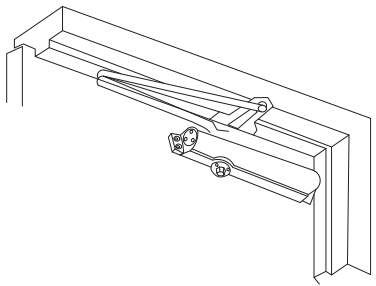
**ITEM CODE: DC8316 RANGE**

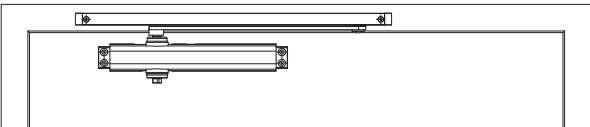
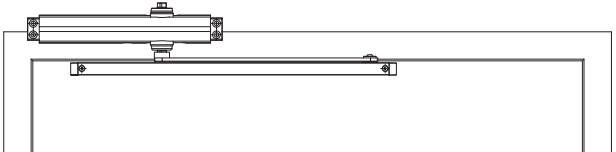


Features:

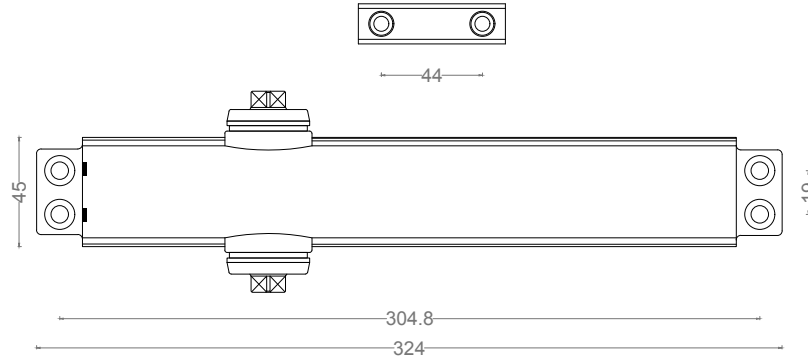
- Adjustable power size 1-6. Standard sweep and latching speed.
- UL listed. UL10C 3 hours fire rated. UL file #: GVEV.R39005
- Tested to meet ANSI A156.4 Grade 1. UL file # FUOR.R39005
- ADA compliant (American with Disabilities Act), extracted from ICC (International Code Council) A117.1.
- BHMA CERTIFIED
- Stainless steel covers are available. Closer projection: 56 mm.
- Closer body in: Cast aluminium. Closer arm in: Stamped steel. Non-handed.
- Standard adjustable backcheck, full cover, self-tapping and drilling screws, sex nuts & bolts.
- Available with slide arm/guide rail.
- Standard tri-packed for regular arm, top jamb and parallel arm application.
- Optional features: delayed action.
- Standard finish: Silver (Aluminium-SE). Other finishes are available upon request.



MOUNTING STYLES FOR DC8316BC		
		
REGULAR ARM INSTALLATION CLOSER IS INSTALLED ON PULL/HINGE SIDE OF DOOR	TOP JAMB INSTALLATION CLOSER IS INSTALLED ON FRAME ON PUSH SIDE OF DOOR	PARALLEL ARM INSTALLATION CLOSER IS INSTALLED ON PUSH SIDE OF DOOR

MOUNTING STYLES FOR DC8316BC-G	
PULL SIDE	TOP JAMB (PULL SIDE)
	

## TECHNICAL DIMENSIONS







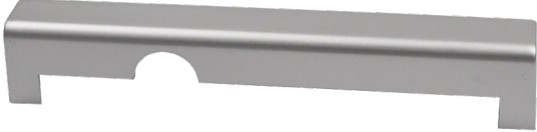
## SELECTION CHART

MODEL#	ANSI CLOSER SIZE	REMARK
DC8316	1-6	Tri-Packed, Backcheck, ADA compliant, <b>BHMA CERTIFIED</b>
DC8316DA	1-6	Tri-Packed, Backcheck, delayed action, ADA compliant, <b>BHMA CERTIFIED</b>
DC8316BC-G	1-6	Tri-Packed, Backcheck, effective power size 1-4 due to guide rail installation, with hold open function



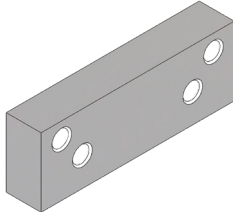

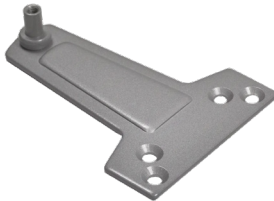
CLOSER SIZE	REGULAR & TOP JAMB MINIMUM - MAXIMUM WIDTH OF DOOR(MM)	
	INTERIOR	EXTERIOR OR VESTIBULE DOORS
2	609 to 863.6	
3	863.6 to 965.5	609 to 762
4	965.5 to 1219.2	762 to 914.4
5	1219.2 to 1371.6	914.4 to 1066.8
6	1371.6 to 1524	1066.8 to 1219.2

CLOSER SIZE	PARALLEL ARM MINIMUM - MAXIMUM WIDTH OF DOOR(MM)	
	INTERIOR	EXTERIOR OR VESTIBULE DOORS
2		
3	609 to 863.6	
4	863.6 to 965.5	609 to 762
5	965.5 to 1219.2	762 to 914.4
6	1219.2 to 1371.6	914.4 to 1066.8

OPTIONAL ACCESSORIES		
DESCRIPTION	PRODUCT	PRODUCT CODE
Drop Plate for Regular Arm mounting		83-DPRA
Drop Plate for Top Jamb mounting		83-DPTJ
Drop Plate for Parallel Arm mounting		83-DPPA
Friction Type-Hold Open Arm		83-FHOA
Parallel Arm Bracket for 83-FHOA		PAB
Adjustable Hold Open Arm		9689-AHO
Heavy Duty Parallel Arm with Dead Stop		9689-CSA

OPTIONAL ACCESSORIES		
DESCRIPTION	PRODUCT	PRODUCT CODE
Heavy Duty Parallel Arm with Spring Cush Dead Stop		9689-SCDS
Heavy Duty Hold Open Parallel Arm with Dead Stop		9689-CSHO
Heavy Duty Hold Open Parallel Arm With Spring Cush Dead Stop		9689-CSHO-5950
Friction Type hold open Arm (Push side)		96-FHO
Cush Stop Arm With Regular Arm		9689-ISH
Spring Cushion for Cush or Cush Hold Open Arm		5590
Slim Plastic Cover		96-C-SP



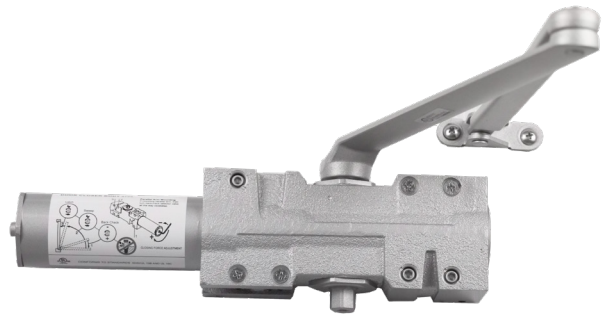
OPTIONAL ACCESSORIES		
DESCRIPTION	PRODUCT	PRODUCT CODE
Stainless Steel Cover		83-SS
Sex Nuts- 4 PCS/PACK		SN
Blade Stop Spacer		1719-BSS
Extended Long Rod and Shoe Length 343.6 mm Top jamb reveal: 4 inches thru 8 inches		19-ELR
Parallel Arm Bracket		PABX

ITEM CODE: DC8416 RANGE



Features:

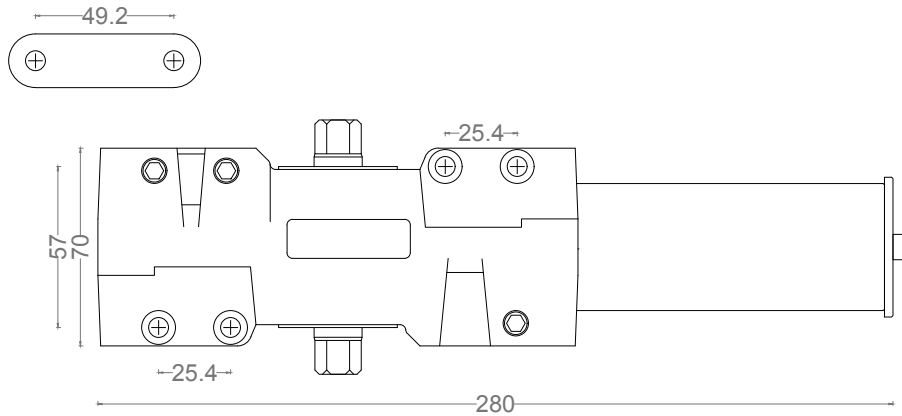
- Adjustable power size 1 - 6.
- Standard sweep and latching speed.
- UL listed. UL10C 3 hours fire rated.
- UL file number: GVEV.R39005.
- Tested to meet ANSI A156.4 Grade 1. UL file # FUOR.R39005.
- ADA Compliant (American with Disabilities Act), extracted from ICC (International Code Council) A117.1. Meets 5 lbs opening force for DC8416 and DC8416DA.
- BHMA CERTIFIED.
- Projection from door: 51 mm
- Closer body in: Cast Iron. Closer arm in: Forget Steel. Non-handed.
- Standard backcheck and full plastic cover.
- Standard tri-packed for regular arm, top jamb and parallel arm application.
- Standard packing including sex nuts and bolts.
- Optional features: Delayed action.
- Standard finish: Silver (Aluminium-SE).
- Other finishes are available upon request.



## MOUNTING STYLES

<p>Regular arm-Pull Side</p>	<p>Top Jamb-Push Side</p>	<p>Parallel arm-Push Side</p>

## TECHNICAL DIMENSIONS



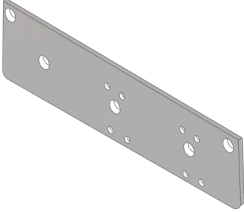
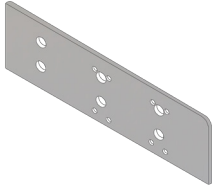
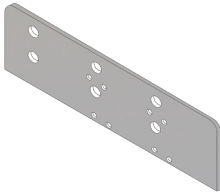
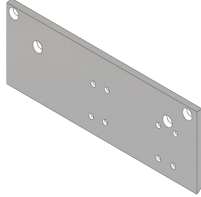


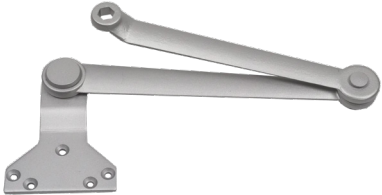
A. LENGTH OF CLOSER BODY: 280 MM	B. HORIZONTAL MOUNTING HOLES: 25.4 MM
C. VERTICAL MOUNTING HOLES: 57 MM	D. CLOSER BODY HEIGHT: 70 MM
E. PROJECTION FROM DOOR: 51 MM	F. ARM SHOE SPACING: 49.2 MM

## SELECTION CHART

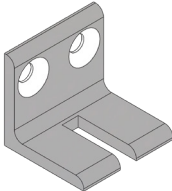


Model#	ANSI CLOSER SIZE	REMARK
DC8416	1-6	Tri-Packed, Backcheck, ADA compliant, <b>BHMA CERTIFIED</b>
DC8416DA	1-6	Tri-Packed, backcheck, Delayed Action, ADA compliant, <b>BHMA CERTIFIED</b>

CLOSER SIZE	REGULAR & TOP JAMB MINIMUM - MAXIMUM WIDTH OF DOOR(MM)	
	INTERIOR	EXTERIOR OR VESTIBULE DOORS
2	609 to 863.6	
3	863.6 to 965.5	609 to 762
4	965.5 to 1219.2	762 to 914.4
5	1219.2 to 1371.6	914.4 to 1066.8
6	1371.6 to 1524	1066.8 to 1219.2

CLOSER SIZE	PARALLEL ARM MINIMUM - MAXIMUM WIDTH OF DOOR(MM)	
	INTERIOR	EXTERIOR OR VESTIBULE DOORS
2		
3	609 to 863.6	
4	863.6 to 965.5	609 to 762
5	965.5 to 1219.2	762 to 914.4
6	1219.2 to 1371.6	914.4 to 1066.8

OPTIONAL ACCESSORIES		
DESCRIPTION	PRODUCT	PRODUCT CODE
<p><b>Drop Plate-Regular arm Mount</b>            Required for hinge side mount when top rail is less than 3 3/4"            Plate require 2" minimum top rail</p>		<b>84-DPRA</b>
<p><b>Drop Plate-Low Clearance</b>            For use when ceiling clearance prevents normal top jamb mounting            For use when overhead door holder prevents normal top jamb mounting</p>		<b>84-DPLR</b>
<p><b>Drop Plate-Pop Jamb mount</b>            Required for top jamb when frame face is less than 3 1/2" (89mm)            Plate require 1 3/4" minimum frame face            For use with plastic cover</p>		<b>84-DPPJ</b>
<p><b>Drop Plate-Parallel Arm mount</b>            Required for parallel arm when top rail is less than 5 1/2", measured from the stop            Plate require 2" minimum top rail</p>		<b>84-DPPA</b>
<p><b>Friction type-Hold open arm With P.A.B</b></p>		<b>84-FHOA</b>
<p><b>Parallel Arm Bracket for 84-FHOA</b></p>		<b>PAB</b>
<p><b>Heavy Duty Parallel Arm</b></p>		<b>84-HDPA</b>

OPTIONAL ACCESSORIES		
DESCRIPTION	PRODUCT	PRODUCT CODE
Heavy Duty Parallel Arm with Dead Stop		84-CSA
Heavy Duty Parallel Arm with Spring Cush Dead Stop		8489-SCDS
Heavy Duty Hold Open Parallel Arm with Dead Stop		8489-CSHO
Heavy Duty Hold Open Parallel Arm with Spring Cush Dead Stop		8489-CSHO-5950
Stainless Steel Cover		84-SS
Spring Cushion for Cush or Cush Hold Open Arm		5590
Blade Door Spacer		1720-Bss

OPTIONAL ACCESSORIES		
DESCRIPTION	PRODUCT	PRODUCT CODE
Cush Shoe Support		84-CSS
Extended Long Rod and Shoe Length 217.1 mm Top jamb reveal: 2 5/8 inches thru 4 13/16 inches		84-ELR
Extra Extended Long Rod and Shoe Length 314 mm Top jamb reveal: 4 7/8 inches thru 8 inches		84-EELR

**ITEM CODE: DC8900 RANGE**



Features:

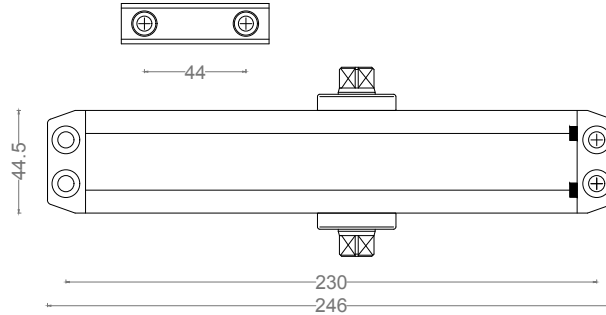
- Fixed power size 3, 4 or 5 and adjustable power
- Size 1-4, 1-5, 1-6 or 3-6.
- Standard sweep and latching speed.
- UL listed (all models). UL10C 3 hours fire rated.
- UL file #: GVEV.R39005
- Tested to meet ANSI A156.4 Grade 1.UL file # FUOR. R39005.
- ADA compliant (American with Disabilities Act), extracted from ICC (International Code Council) A117.1. Meets 5 lbs opening force.
- BHMA CERTIFIED.
- Stainless steel covers are available. Guide rail is available.
- Closer body in: Cast aluminium. Closer arm in: Forged steel. Non-handed.
- Standard adjustable backcheck.
- Standard tri-packed for regular arm, top jamb and parallel arm application.
- Standard self-tapping and drilling screws.
- Standard finish: Silver (Aluminium- SE).
- Other finishes are available upon request.



**MOUNTING STYLES**

<p>REGULAR ARM INSTALLATION CLOSER IS INSTALLED ON PUL/HINGE SIDE OF DOOR</p>	<p>TOP JAMB INSTALLATION CLOSER IS INSTALLED ON FRAME ON PUSH SIDE OF DOOR</p>	<p>PARALLEL ARM INSTALLATION CLOSER IS INSTALLED ON PUSH SIDE OF DOOR</p>

## TECHNICAL DIMENSIONS



A. LENGTH OF CLOSER BODY: 248 MM	B. HORIZONTAL MOUNTING HOLES: 230 MM
C. VERTICAL MOUNTING HOLES: 19 MM	D. CLOSER BODY HEIGHT: 46 MM
E. PROJECTION FROM DOOR: 70 MM	F. ARM SHOE SPACING: 44 MM

MODEL#	ANSI CLOSER SIZE	REMARK
DC8902	2	Tri-Packed
DC8903	3	Tri-Packed
DC8903BC	3	Tri-Packed with Backcheck
DC8904BC	4	Tri-Packed with Backcheck
DC8905BC	5	Tri-Packed with Backcheck
DC8914BC	1-4	Tri-Packed with Backcheck, ADA compliant
DC8915BC	1-5	Tri-Packed with Backcheck
DC8936BC	3-6	Tri-Packed with Backcheck
DC8916BC	1-6	Tri-Packed with Backcheck, <b>BHMA CERTIFIED</b>

CLOSER SIZE	REGULAR & TOP JAMB MINIMUM - MAXIMUM WIDTH OF DOOR(MM)	
	INTERIOR	EXTERIOR OR VESTIBULE DOORS
2	609 to 863.6	
3	863.6 to 965.5	609 to 762
4	965.5 to 1219.2	762 to 914.4
5	1219.2 to 1371.6	914.4 to 1066.8
6	1371.6 to 1524	1066.8 to 1219.2

CLOSER SIZE	PARALLEL ARM MINIMUM - MAXIMUM WIDTH OF DOOR(MM)	
	INTERIOR	EXTERIOR OR VESTIBULE DOORS
2		
3	609 to 863.6	
4	863.6 to 965.5	609 to 762
5	965.5 to 1219.2	762 to 914.4
6	1219.2 to 1371.6	914.4 to 1066.8



OPTIONAL ACCESSORIES		
DESCRIPTION	PRODUCT	PRODUCT CODE
3 ½ inch Tall Drop Plate Parallel Arm Mount		89-DPPA
2 9/16 inches Tall Narrow Drop Plate Regular and Top Jamb Mount		89-DPNRTJ
Friction type-Hold Open Arm		89-FHOA
Parallel Arm Bracket for 89-FHOA		PAB
Adjustable Hold Open Arm		9689-AHO
Heavy Duty Parallel Arm with Dead Stop		9689-CSA
Heavy Duty Parallel Arm with Spring Cush Dead Stop		9689-SCDS

OPTIONAL ACCESSORIES		
DESCRIPTION	PRODUCT	PRODUCT CODE
Heavy Duty Hold Open Parallel Arm with Dead Stop		9689-CSHO
Heavy Duty Hold Open Parallel Arm With Spring Cush Dead Stop		9689-CSHO-5950
Spring Cushion for Cush or Cush Hold Open Arm		5590
Full Plastic Cover		89-FPC
Slim Plastic Cover		SPC
Sex Nuts- 4 PCS/PACK		SN
Blade Stop Spacer		1719-BSS

OPTIONAL ACCESSORIES		
DESCRIPTION	PRODUCT	PRODUCT CODE
<p><b>EXTENDED LONG ROD AND SHOE</b>  <b>LENGTH 358.8 MM</b>  <b>TOP JAMB REVEAL: 4 INCHES THRU 8 INCHES</b></p>		<p><b>ELRS</b></p>
<p><b>STAINLESS STEEL COVER</b></p>		<p><b>85-SS</b></p>
<p><b>PARALLEL ARM BRACKET</b></p>		<p><b>PABX</b></p>
<p><b>Cush Stop Arm With Regular Arm</b></p>		<p><b>9689-ISH</b></p>

**ITEM CODE: DCR RANGE**



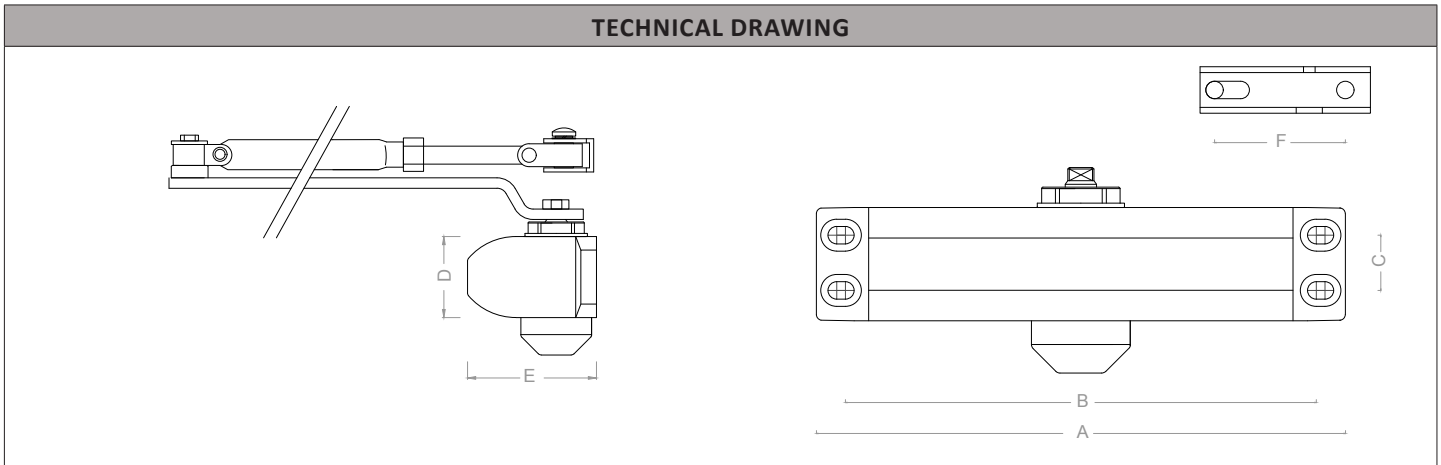
Features:

- Fixed power size 2/3/4/5/ or 6.
- Power size by template (2,3 and 4 for DCR3).
- Adjustable close/sweep and latch speed.
- UL listed. UL10C up to 3 hours fire rated.
- Fire rated up to 4 hours to EN 1634-1:2014 (E and EI fire doors).
- UL file number: GVEV.R39005
- Non-handed.
- High strength die cast aluminium body
- Standard package: Regular and top jamb installation.
- Optional mounting: Parallel bracket for parallel arm installation. Hold open arm for DCR2 & DCR3.
- Optional: ABS cover
- Standard finish: Silver (Aluminium-SE).
- Other finishes are available upon request.



FIG1	FIG61	FIG66
<p>REGULAR ARM INSTALLATION CLOSER IS INSTALLED ON PULL/HINGE SIDE OF DOOR</p>	<p>TOP JAMB INSTALLATION CLOSER IS INSTALLED ON FRAME ON PUSH/STOP SIDE OF DOOR</p>	<p>PARALLEL ARM INSTALLATION CLOSER IS INSTALLED ON PUSH/STOP SIDE OF DOOR</p>

PARALLEL ARM BRACKET	ABS COVER	HOLD OPEN ARM FOR DCR2 & DCR3

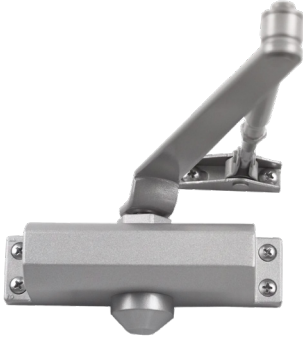


A.	LENGTH OF CLOSER BODY	B.	HORIZONTAL MOUNTING HOLES SPACING
C.	VERTICAL MOUNTING HOLES SPACING	D.	CLOSER BODY HEIGHT
E.	PROJECTION FROM DOOR	F.	ARM SHOE SPACING

Model#	TECHNICAL DIMENSIONS MINIMUM - MAXIMUM WIDTH OF DOOR (MM)						CLOSER SIZE	STANDARD & TOP JAMB	
	A	B	C	D	E	F		INTERIOR	EXTERIOR OR VESTIBULE DOORS
	DCR2	147	132	19	36	56		44	2
DCR3	178	162	19	39	62	44	3	863.6 to 965.5	609 to 762
DCR4	204	188	19	42	71	44	4	965.5 to 1219.2	762 to 914.4
DCR5	226	208	19	16	72	44	5	1219.2 to 1371.6	914.4 to 1066.8
DCR6	248	230	19	46	72	44	6	1371.6 to 1524	1066.8 to 1219.2

Model#	TECHNICAL DIMENSIONS MINIMUM - MAXIMUM WIDTH OF DOOR (MM)						CLOSER SIZE	PARALLEL ARM	
	A	B	C	D	E	F		INTERIOR	EXTERIOR OR VESTIBULE DOORS
	DCR2	147	132	19	36	56		44	2
DCR3	178	162	19	39	62	44	3	609 to 863.6	
DCR4	204	188	19	42	71	44	4	863.6 to 965.5	609 to 762
DCR5	226	208	19	16	72	44	5	965.5 to 1219.2	762 to 914.4
DCR6	248	230	19	46	72	44	6	1219.2 to 1371.6	914.4 to 1066.8

**DCR2 - HOLES PATTERN: 132X19 MM**



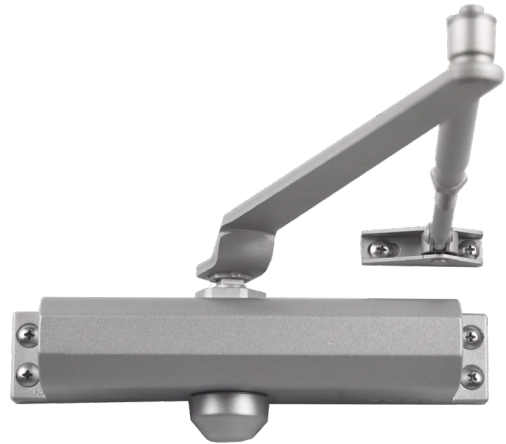
**DCR3- HOLES PATTERN: 165X19 MM**



**DCR4- HOLES PATTERN: 188X19 MM**



**DCR5- HOLES PATTERN: 208X19 MM**



**DCR6- HOLES PATTERN: 230X19 MM**

