
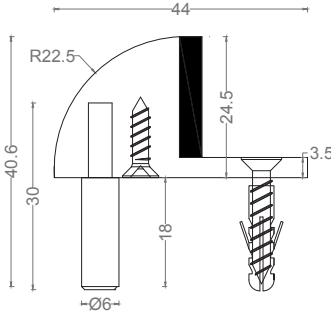

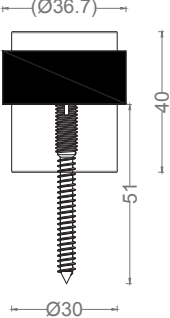

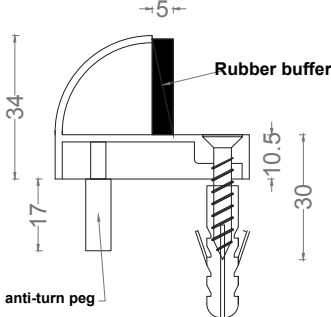

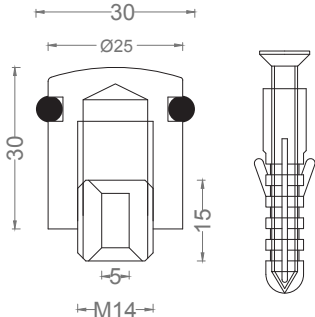

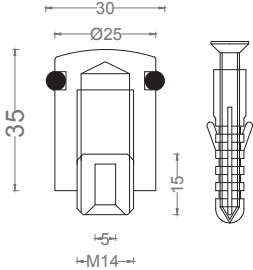


**ITEM CODE: T10, T30, T40 & SST25D**

Features:

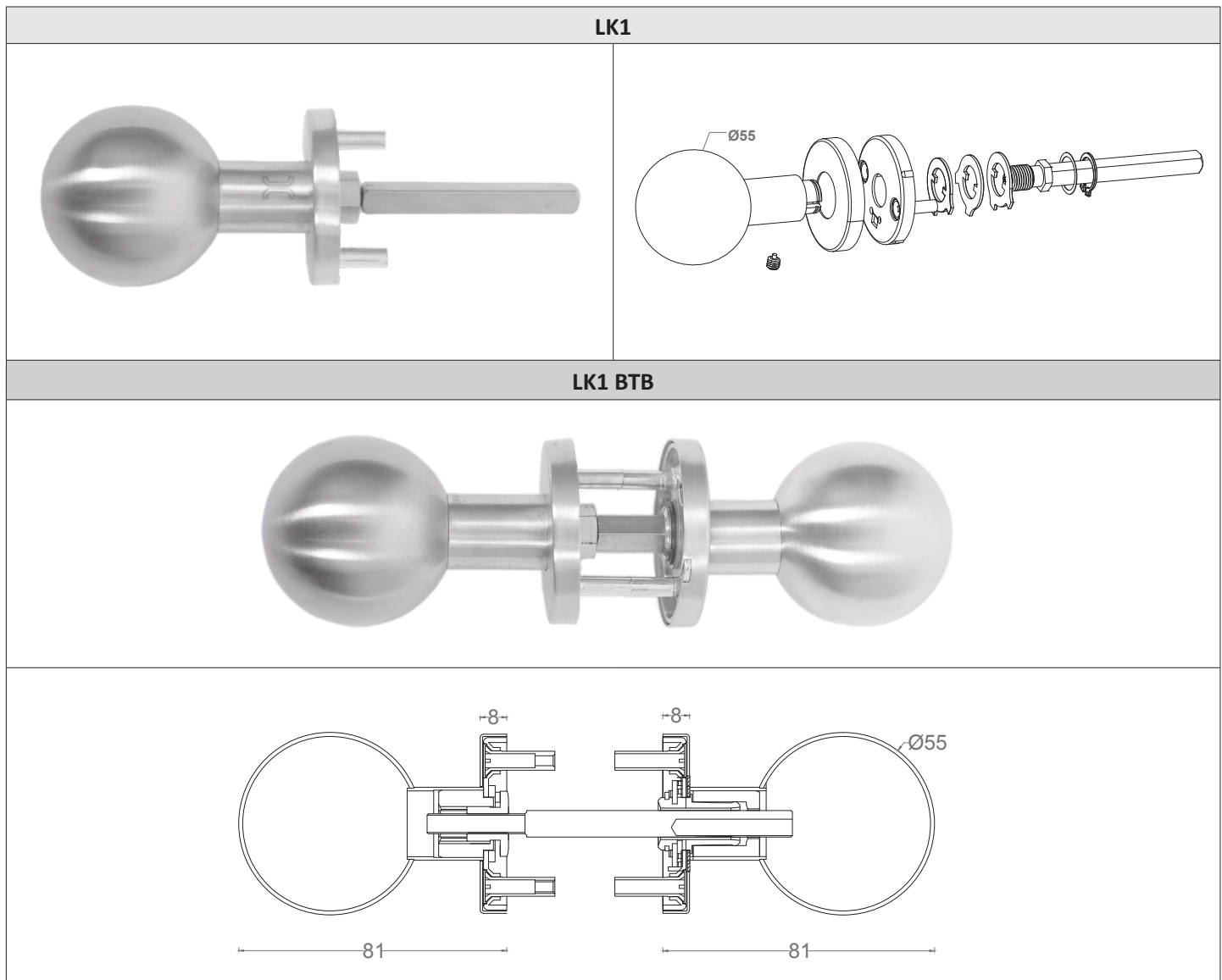
- Door stop
- Standard in stainless steel EN 1.4301 (type SUS304), optional in stainless steel EN 1.4401 (type SUS316).
- Floor mounted. Floor fixing.
- Complete with fixing bolts and screws.
- Anti-turn peg for T10 and T40.
- Standard finish: Satin Stainless steel (SSS) finish with rubber buffer.
- Other finishes are available upon request.

T10		T30	
			
T40		SST25D-30	
			
SST25D-35			
			

**ITEM CODE: LK1 SERIES**

Features:


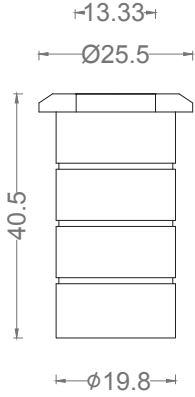

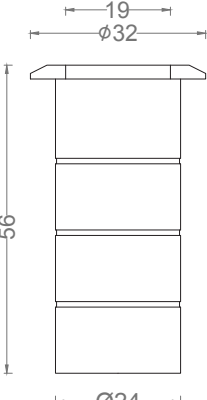
- Fixed knob with rotating spindle for LK1 and dead fixing for LK1 BTB (back to back).
- Area of application: for wood or steel doors.
- Standard in stainless steel EN 1.4301 (type SUS304), optional in stainless steel EN 1.4401 (type SUS316).
- Specify door thickness while ordering.
- Complete with fixing screws and spindle.
- Standard finish: Satin Stainless Steel (SSS).
- Other finishes are available upon request.



## ITEM CODE: DPS-01 & DPS-02

### Features:

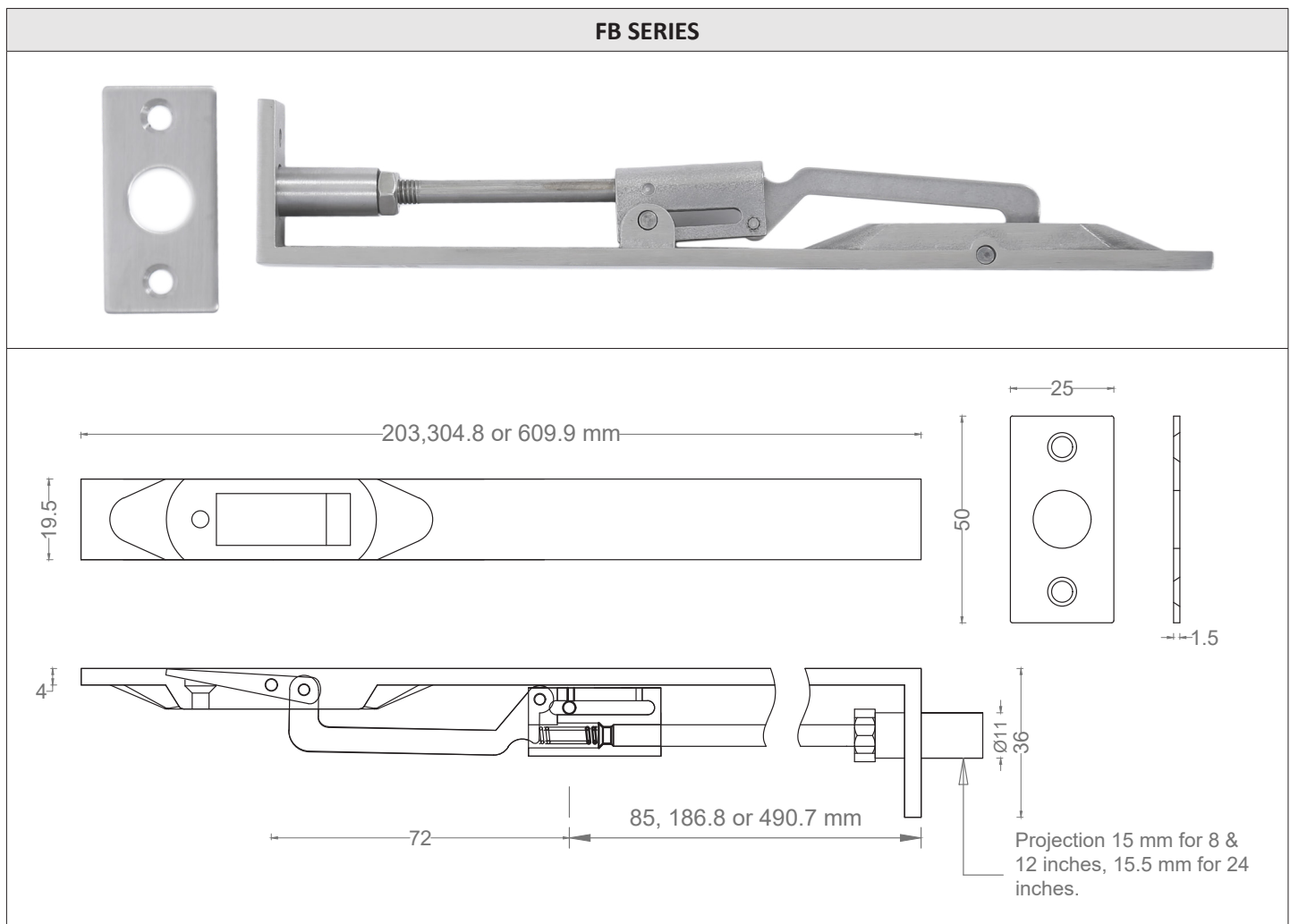
- Dust proof socket
- Standard in stainless steel EN 1.4301 (type SUS304), optional in stainless steel EN 1.4401 (type SUS316).
- Spring-loaded cover to prevent accumulation of dust or dirt inside the dust excluding socket.
- DPS-01: Suitable for FB manual flush bolt for wood doors and suitable for flush bolt shot bolt of diameter 11 mm.
- DPS-01: The barrel shall be sunk into the floor measures 19.8 mm diameter and needs to be sunk approximately 37.44 mm. The top flange is 25.5 mm diameter and the receiving hole is 13 mm.
- DPS-02: Suitable for DAFB (Automatic flush bolt, bottom).
- DPS-02: The barrel shall be sunk into the floor measures 24 mm diameter and needs to be sunk approximately 52 mm. The top flange is 32 mm diameter and the receiving hole is 19 mm.
- Standard finish: Satin Stainless steel.
- Other finishes are available upon request.

DPS-01	
	
DPS-02	
	

**ITEM CODE: FB SERIES**

Features:



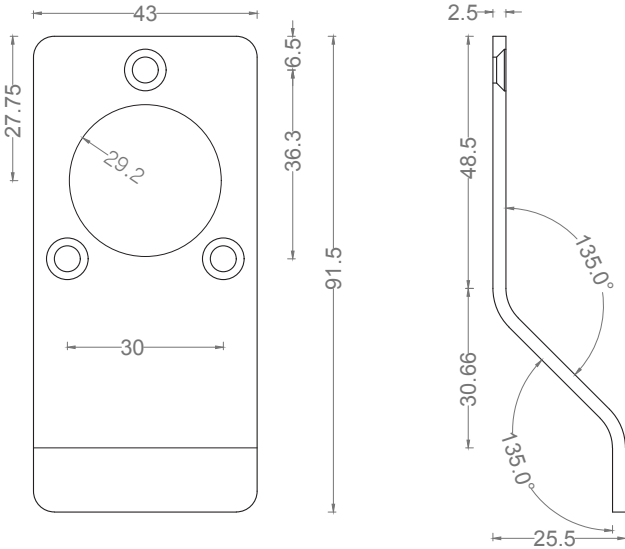
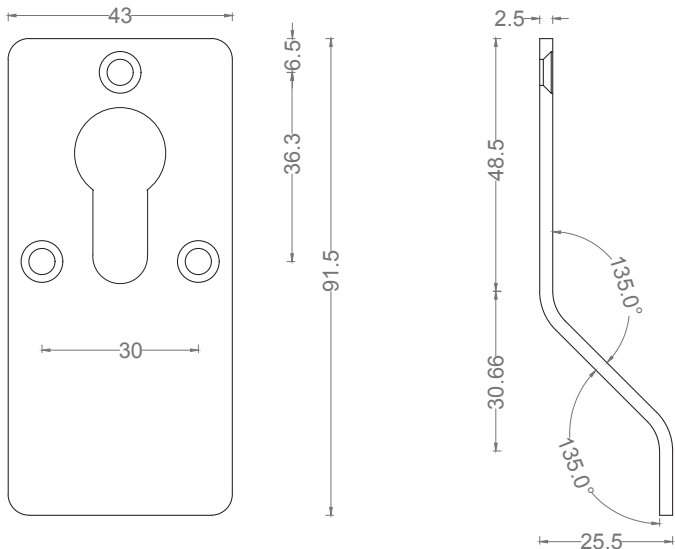
- Area of application: Wood doors.
- Manual lever action flush bolt.
- Standard in stainless steel EN 1.4301 (type SUS304), optional in stainless steel EN 1.4401 (type SUS316).
- Recessed into edge of door at top and bottom. Throw 15 mm for 203 & 304.8 mm and 15.5 mm for 609.9 mm. Supplied with strike plate 50 x 25 x 1.5 mm. Forend plate thickness 4 mm.
- Available in three lengths: 203 x 36 x 19.5 mm (8 inches), 304.8 x 36 x 19.5 mm (12 inches) and 609.9 x 36 x 19.5 mm (24 inches)
- Supplied with countersunk screws holes and wood screws.
- Standard finish: Satin Stainless steel (SSS).
- Other finishes are available upon request.



**ITEM CODE: DMCP & ES001**

**CYLINDER LATCH PULL HANDLE**

- Area of application: Metal or wood doors.
- Suits Europrofile or ANSI cylinders.
- Supplied with fixing screws.
- Standard finish: US32D (Satin Stainless Steel).
- Other finishes are available upon request.

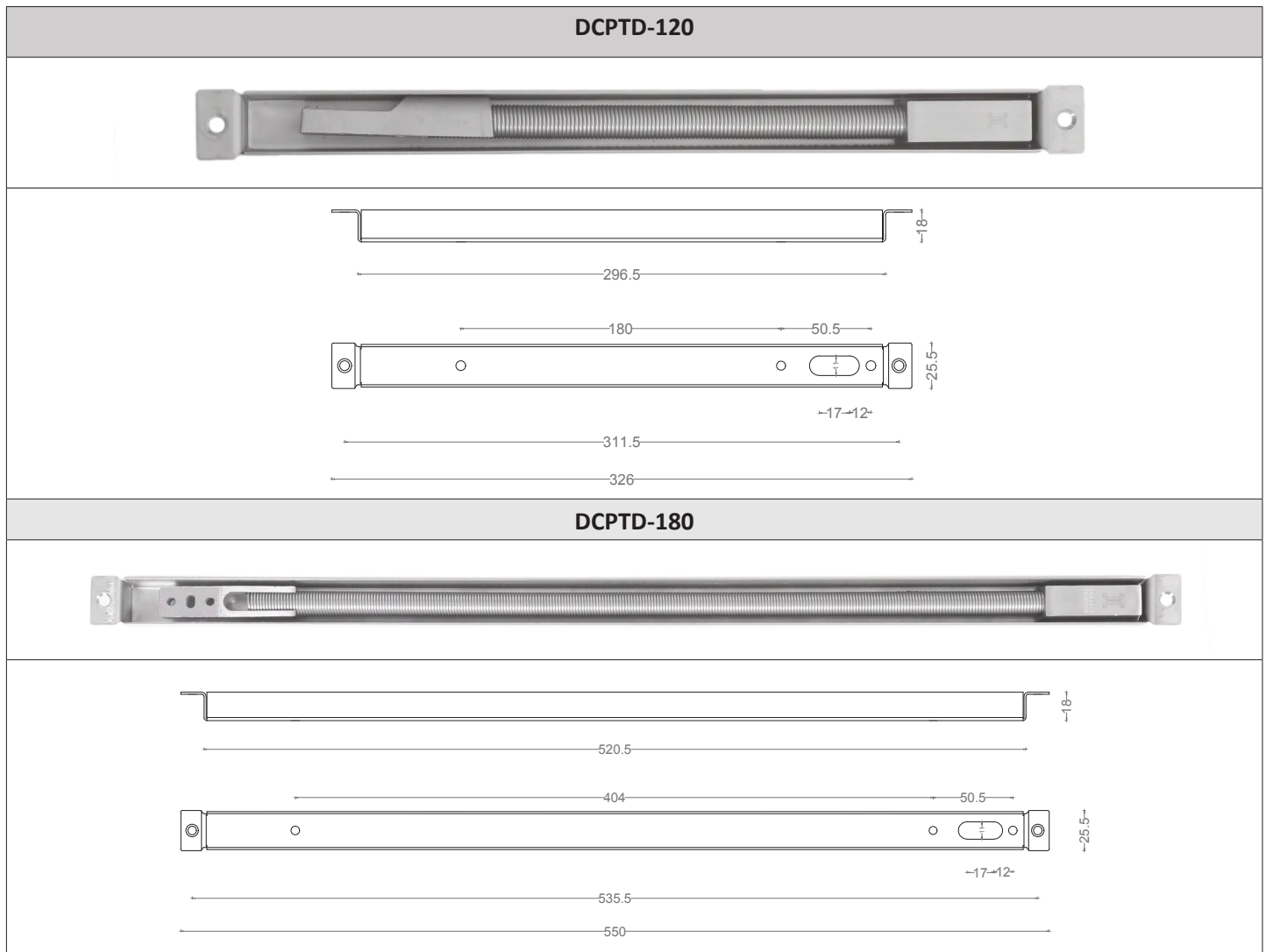
DMCP	ES001
	
	

**ITEM CODE: DCPTD SERIES**

**CONCEALED POWER TRANSFER DEVICE**

**EN1634-1** 


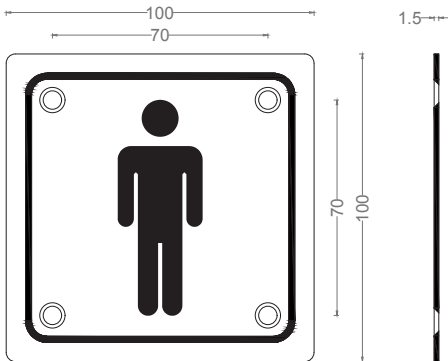
- Area of application: Metal or wood doors.
- Transfer power from frames to electrified hardware in the leaf.
- Standard in stainless steel EN 1.4301 (type SUS304).
- Tested successfully to EN 1634-1, E240.
- Maximum opening angle: 120° for DCPTD-120 and 180° for DCPTD-180.
- Supplied with fixing screws.
- Standard finish: US32D (Satin Stainless Steel).
- Other finishes are available upon request.


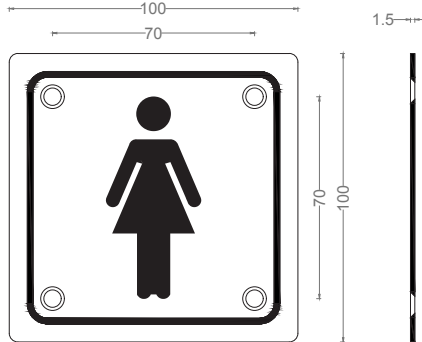


ITEM CODE: A-MS001, A-FS002, A-DS003, A-US004, B-MSR01, B-FSR02, B-DSR03, B-USR04, B-WCR05, C-FDKLS, C-FDKC, C-FDKS & C-AFDKC

Features:

- Signs
- Standard in stainless steel EN 1.4301 (type SUS304), optional in stainless steel EN 1.4401 (type SUS316).
- Supplied with countersunk screws drilling and screws.

ART# A-MS001	
	
MALE TOILET DOOR SIGN - MATERIAL: STAINLESS STEEL EN 1.4301 (TYPE 304)	
SIZE: 100X100X1.5 MM - SUPPLIED WITH WOOD & STEEL SCREWS	

ART# A-FS002	
	
FEMALE TOILET DOOR SIGN - MATERIAL: STAINLESS STEEL EN 1.4301 (TYPE 304)	
SIZE: 100X100X1.5 MM - SUPPLIED WITH WOOD & STEEL SCREWS	

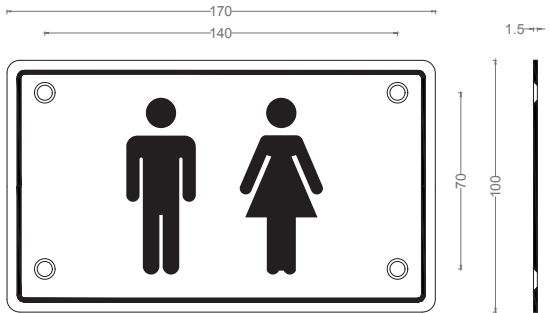


**ART# A-DS003**



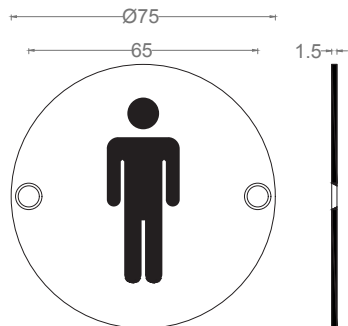
DISABLED TOILET DOOR SIGN - MATERIAL: STAINLESS STEEL EN 1.4301 (TYPE 304)  
 SIZE: 140X140X1.5 MM - SUPPLIED WITH WOOD & STEEL SCREWS

**ART# A-US004**



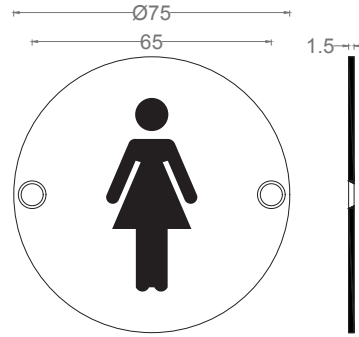
UNISEX TOILET DOOR SIGN - MATERIAL: STAINLESS STEEL EN 1.4301 (TYPE 304)  
 SIZE: 170X170X1.5 MM - SUPPLIED WITH WOOD & STEEL SCREWS

**ART# B-MSR01**



MALE TOILET DOOR SIGN - MATERIAL: STAINLESS STEEL EN 1.4301 (TYPE 304)  
 SIZE: 75X1.5 MM - SUPPLIED WITH WOOD & STEEL SCREWS

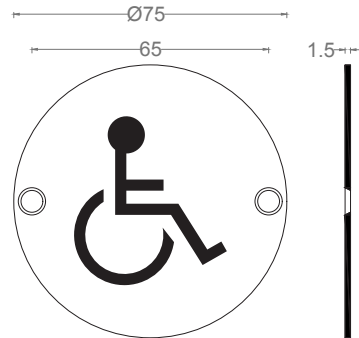
**ART# B-FSR02**



FEMALE TOILET DOOR SIGN - MATERIAL: STAINLESS STEEL EN 1.4301 (TYPE 304)

SIZE: 75X1.5 MM - SUPPLIED WITH WOOD & STEEL SCREWS

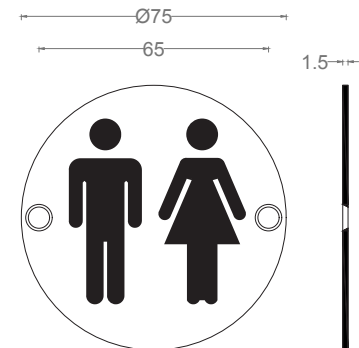
**ART# B-DSR03**



DISABLED TOILET DOOR SIGN - MATERIAL: STAINLESS STEEL EN 1.4301 (TYPE 304)


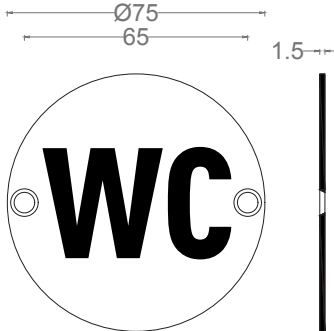
SIZE: 75X1.5 MM - SUPPLIED WITH WOOD & STEEL SCREWS



**ART# B-USR04**





UNISEX TOILET DOOR SIGN - MATERIAL: STAINLESS STEEL EN 1.4301 (TYPE 304)

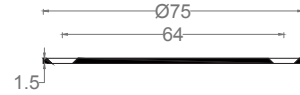
SIZE: 75X1.5 MM - SUPPLIED WITH WOOD & STEEL SCREWS

ART# B-WCR05	
	
WC TOILET DOOR SIGN - MATERIAL: STAINLESS STEEL EN 1.4301 (TYPE 304)	
SIZE: 75X1.5 MM - SUPPLIED WITH WOOD & STEEL SCREWS	

ART# C-FDKLS	
	
FIRE DOOR KEEP LOCKED SHUT SIGN - MATERIAL: STAINLESS STEEL EN 1.4301 (TYPE 304)	
SIZE: 75X1.5 MM - SUPPLIED WITH WOOD & STEEL SCREWS	

ART# C-FDKC	
	
FIRE DOOR KEEP CLEAR SIGN - MATERIAL: STAINLESS STEEL EN 1.4301 (TYPE 304)	
SIZE: 75X1.5 MM - SUPPLIED WITH WOOD & STEEL SCREWS	

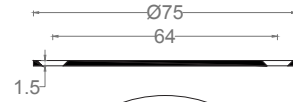
**ART# C-FDKS**



FIRE DOOR KEEP SHUT SIGN - MATERIAL: STAINLESS STEEL EN 1.4301 (TYPE 304)

SIZE: 75X1.5 MM - SUPPLIED WITH WOOD & STEEL SCREWS

**ART# C-AFDKC**



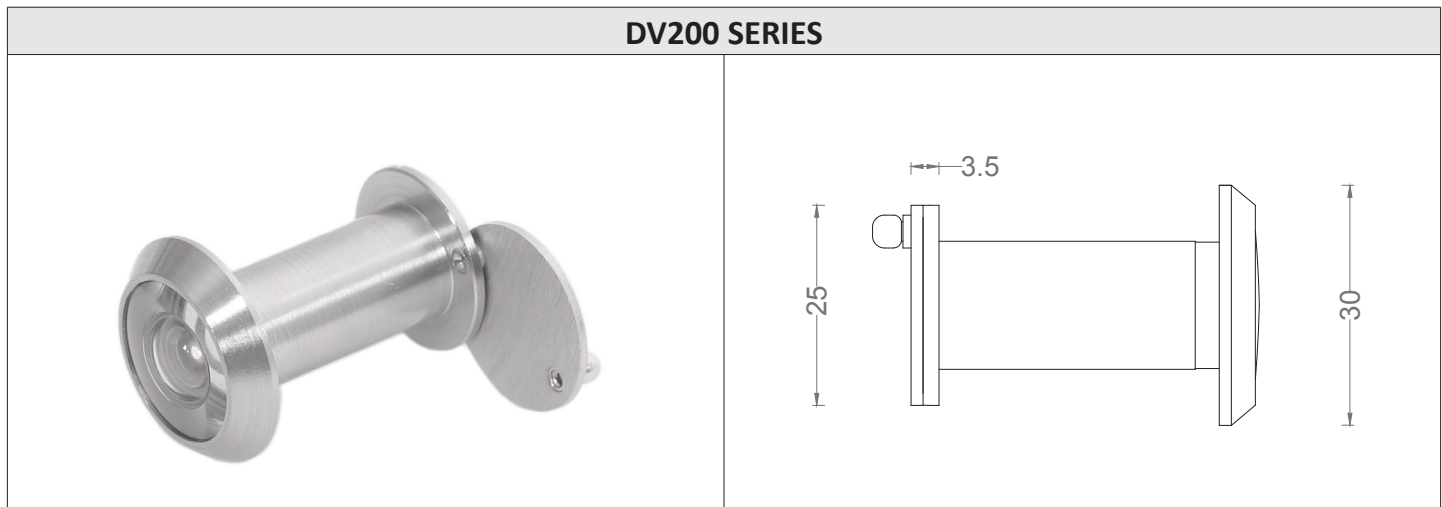
AUTOMATIC FIRE DOOR KEEP CLEAR SIGN - MATERIAL: STAINLESS STEEL EN 1.4301 (TYPE 304)

SIZE: 75X1.5 MM - SUPPLIED WITH 2 WOOD SCREWS

## ITEM CODE: DV200 SERIES

### Features:

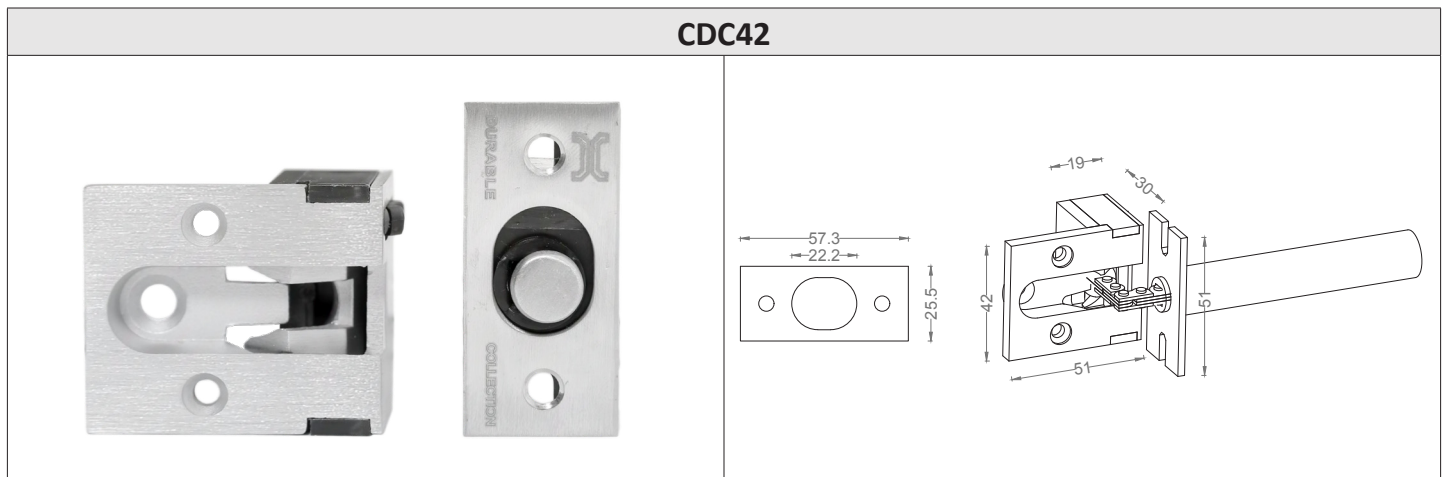
- One-way door viewer.
- With privacy flap.
- 200 degree viewing angle
- Glass lense.
- Base material: brass.
- Adjustable, for door thickness range from 35 mm to 90 mm:
  - 35 to 60 mm
  - 45 to 75 mm
  - 45 to 80 mm
  - 55 to 90 mm.
- Dia.15 mm shaft.
- Available finishes: Satin nickel (SN), antique brass (AB), polished brass (PB) and satin brass (SB).



## ITEM CODE: CDC42

### Features:


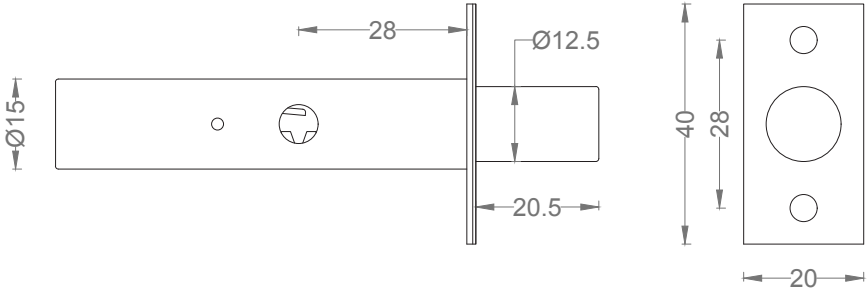
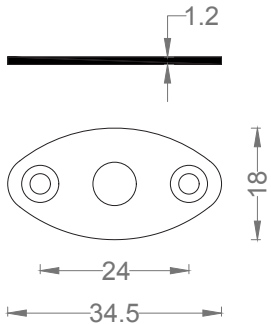
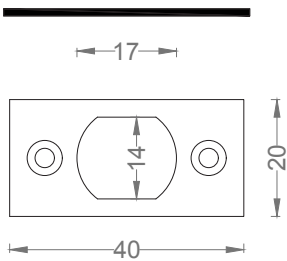
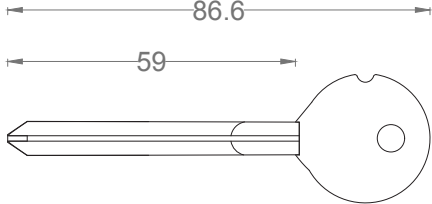
- Spring loaded security concealed door chain.
- Body, Chain, cover & fixing screws: Stainless steel EN 1.4301 (type 304).
- Engaged/disengaged by push button keep.
- Chain automatically restricts door opening when engaged and retracts automatically when released.
- Can only be unlocked when door is closed.
- Supplied with fixing screws.
- Standard finish: Satin Stainless Steel (SSS).
- Other finishes are available: Polished stainless steel (PSS), polished brass (PB), antique brass (AB), antique copper (AC) and Physical vapour deposition (PVD) finishes.



**ITEM CODE: D909**

Features:


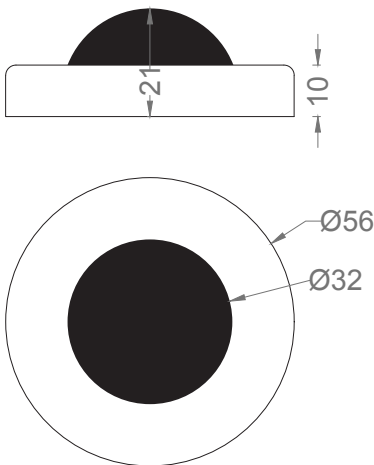

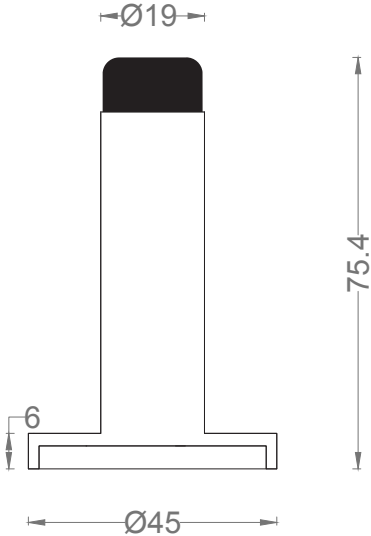
- Rackbolt
- Stainless steel EN 1.4301 (type 304).
- Nickel-plated key turn operated (key is included).
- Backset 29.5 mm. Full depth 70 mm.
- Supplied with 1 x strike plate and 1 x escutcheon and with countersunk wood and metal screws.
- Standard finish: Satin Stainless Steel (SSS).
- Other finishes are available upon request.

<b>D909</b>		
		
<b>ESCUTCHEON</b>	<b>STRIKE PLATE</b>	<b>KEY</b>
		

**ITEM CODE: T50 and T60**

Features:

- Standard in stainless steel EN 1.4301 (type SUS304), optional in stainless steel EN 1.4401 (type SUS316).
- Wall mounted. Wall fixing (concealed).
- Supplied with fixing bolts and screws.
- Standard finish: Satin Stainless steel (SSS) finish with rubber buffer. Other finishes are available upon request.

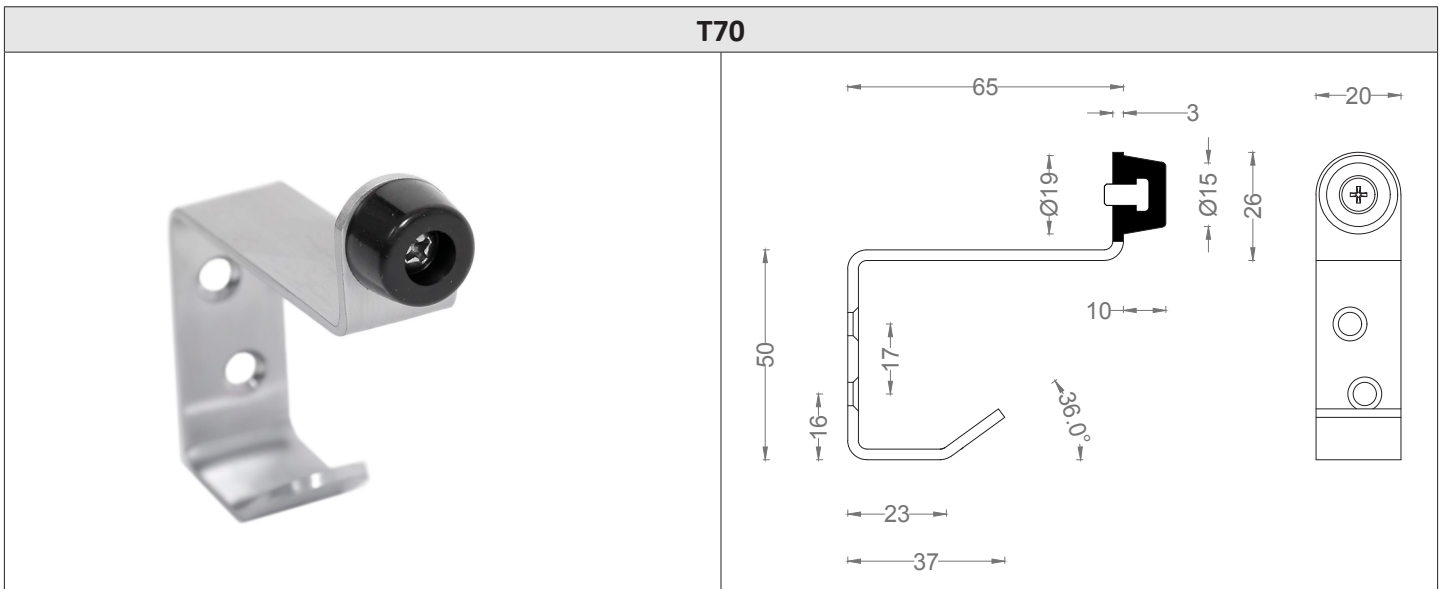
T50	
	
T60	
	



**ITEM CODE: T70**

Features:

- Hat & Coat Hook
- Standard in stainless steel EN 1.4301 (type SUS304), optional in stainless steel EN 1.4401 (type SUS316).
- Wall mounted.
- Supplied with fixing screws.
- Standard finish: Satin Stainless steel (SSS) finish with rubber buffer. Other finishes are available upon request.



**ITEM CODE: D8100 SERIES  
DOOR AUTOMATIC CONCEALED BOTTOM SEALS**

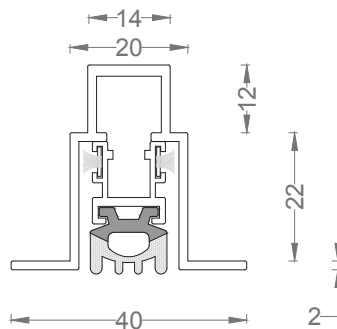
Features:

**EN1634-1**



- Area of application: All doors types.
- For commercial and residential buildings.
- A highly efficiency mechanism that lifts the seal clear of the floor as soon as the door “is opened” by few millimeters.
- Used to seal the gap at the bottom of your door to prevent infiltration of sound (up to STC32-35), lights, draught, insects, moisture and smoke.
- Successfully fire tested to EN 1634-1, E240.
- Non handed.
- Size of the groove: 21 x 36 mm. Min/Max gap size: 1 mm/13 mm.
- Available lengths: 280, 450, 610, 820, 920, 1070, 1220 and 1540 mm.
- Each length can be cut to the next size down, except 280 mm cut to 260 mm.
- Aluminum profile/section.
- Seal material: Black fire stopping EPDM rubber gasket.
- Supplied with fixing screws.
- Available finish: Silver anodized aluminium.


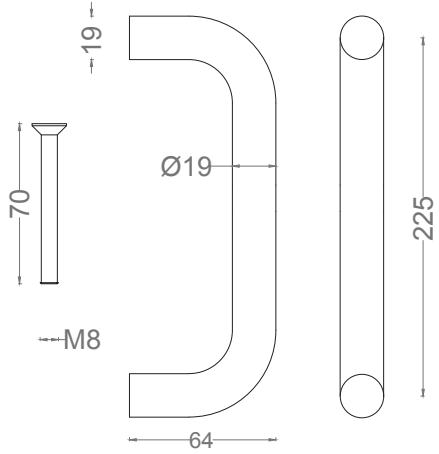

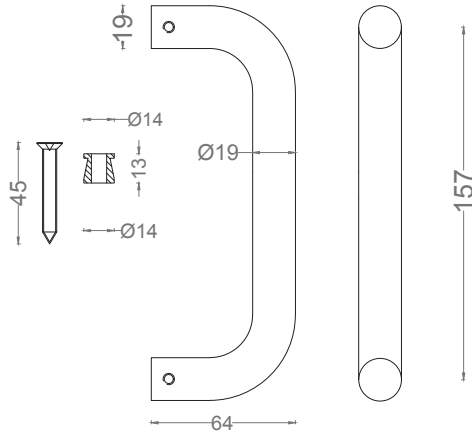
**D8100 SERIES**



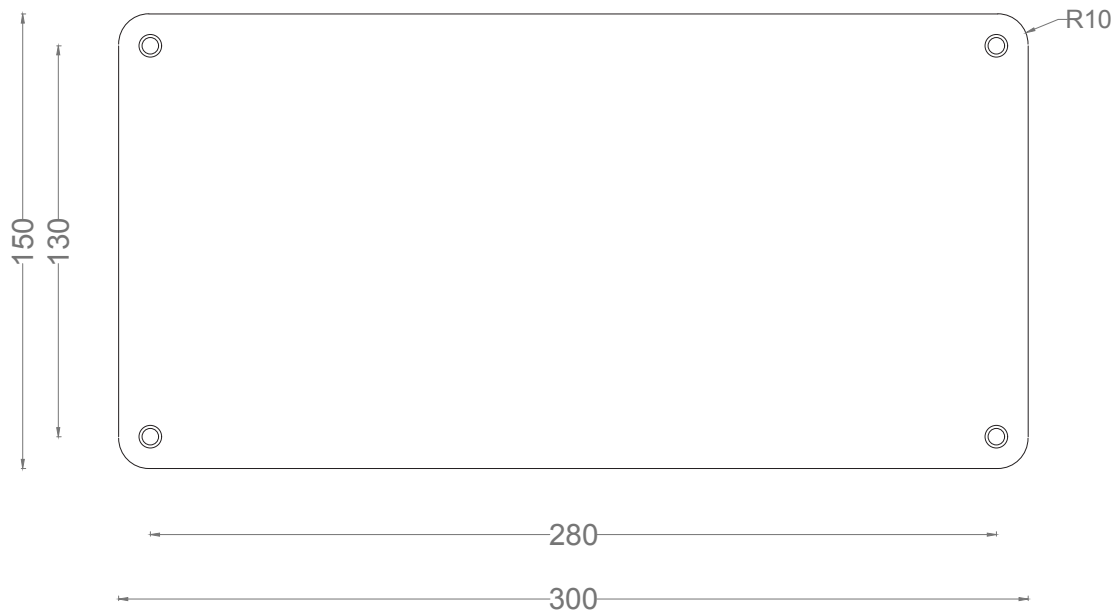
**ITEM CODE: PH01BT-19X225, SP300150B and PH01BT-19X225 CF**

Features:

- Area of application: Wood or steel doors.
- Standard: stainless steel EN 1.4301 (type SUS304). Optional in stainless steel EN 1.4401 (type SUS316).
- Round pull design. Flat push plate.
- Standard: Push/Pull (PH01BT-19X225 + SP300150B) or Pull/Pull (PH01BT-19X225 CF).
- Standard available size: pull handle: 225 x 64 x dia. 19 mm, push plate: 300 x 150 x 1.5 mm.
- Optional lengths and dimensions are available.
- Standard finish: Satin Stainless steel (SSS).
- Other finishes are available upon request.

PH01BT-19X225	
	
PH01BT-19X225 CF	
	

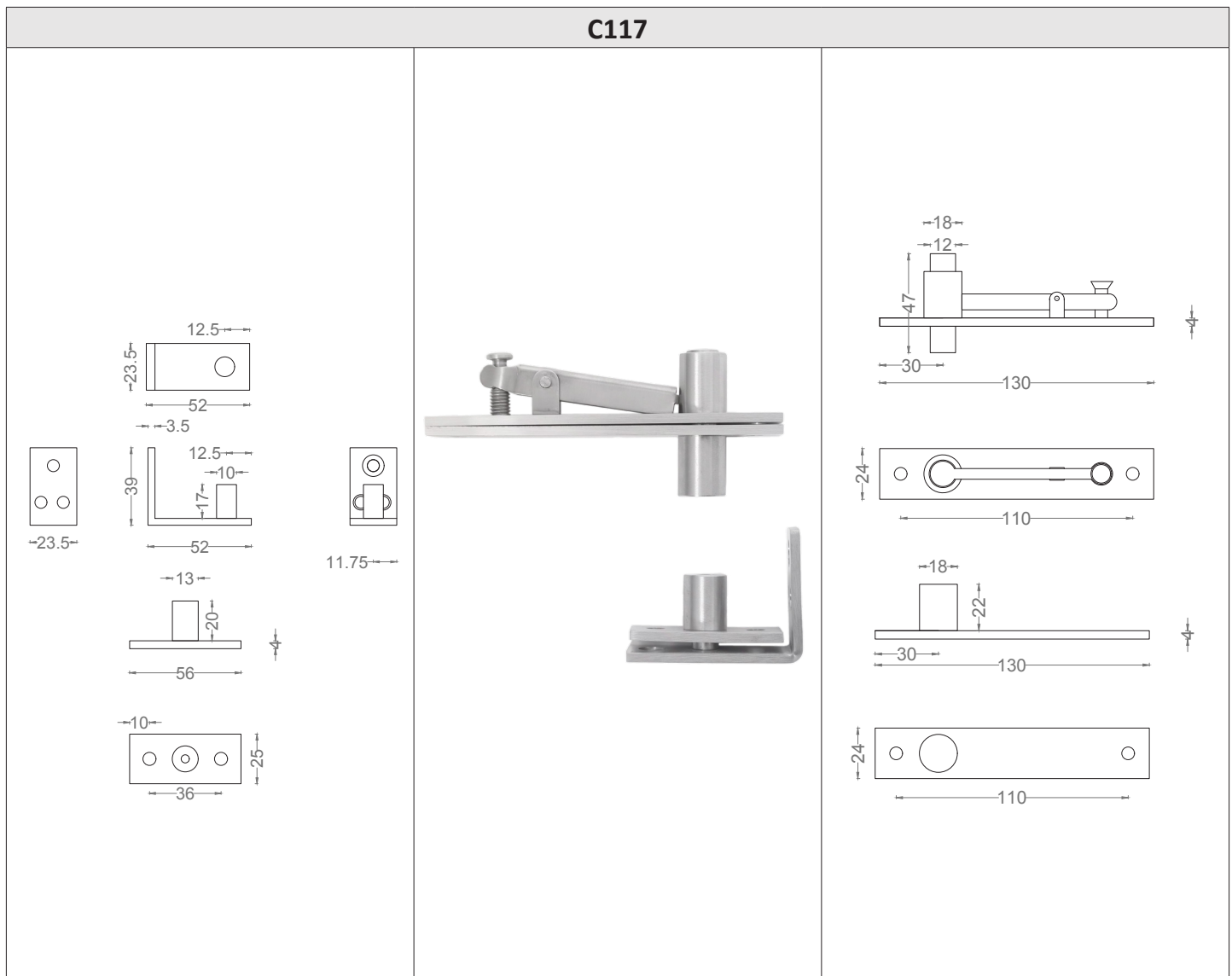
**SP300150B**



**ITEM CODE: C117**  
**STAINLESS STEEL DOOR PIVOT HINGE SYSTEM**

Features:

- Area of application: Bedroom, living room and mansion doors.
- Standard: stainless steel EN 1.4301 (type SUS304).
- High quality ball bearing which can ensure strong strength and features long durability, supporting 360° rotating.
- Standard finish: Satin Stainless steel (SSS).
- Other finishes are available upon request.


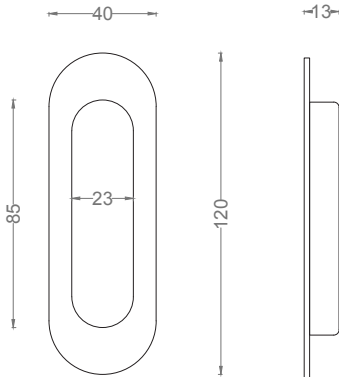

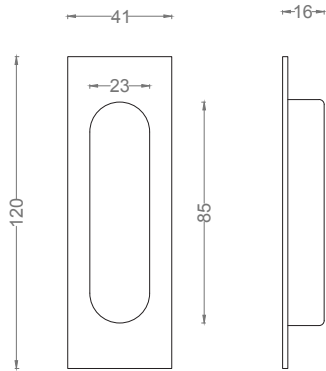


## ITEM CODE: DFL SERIES FLUSH PULL HANDLE

### Features:

- Area of application: for wood or steel doors.
- Standard: Stainless steel EN 1.4301 (type SUS304). Optional Stainless steel EN 1.4401 (type SUS316).
- Optional sizes are available upon request.
- Standard finish: Satin stainless steel. Other finishes are available upon request.
- Available in rectangular design, round or square edges, available sizes:

MODEL	HEIGHT/MM	WIDTH/MM	THICKNESS/MM	EDGES
DFL150X50X14	150	50	14	SQUARE
DFL120X40X13	120	40	13	ROUND & SQUARE
DFL102X51X12	102	51	12	SQUARE
DFL120X41X16	120	41	16	ROUND & SQUARE
DFL120X50X15	120	50	15	ROUND & SQUARE
DFL180X60X20.5	180	60	20.5	ROUND & SQUARE

DFL 120X40X13 R	
	
DFL 120X41X16 SQ	
	

## ITEM CODE: D4200 SERIES

### THRESHOLD PLATE WITH GREY SILICONE RUBBER AND BEDDING PADS.

#### Features:

- Area of application: wooden or metal doors.
- Base material: aluminum.
- Suitable for outward opening doors to prevent rain, draughts, light and noise penetration. The high performance silicone rubber compression seal, combined with the vinyl bedding pads, help provide an effective acoustic barrier.
- May be used with a panic type exit device.
- Meets approved document M (England and Wales).
- Standard lengths: 1100 mm and 2000 mm. Optional additional length is available upon request.
- Standard finish: silver anodised aluminium with grey silicone rubber gasket.

