

INSTALLATION INSTRUCTIONS

Art#: DCODH-B/OP Series

Concealed overhead door holder

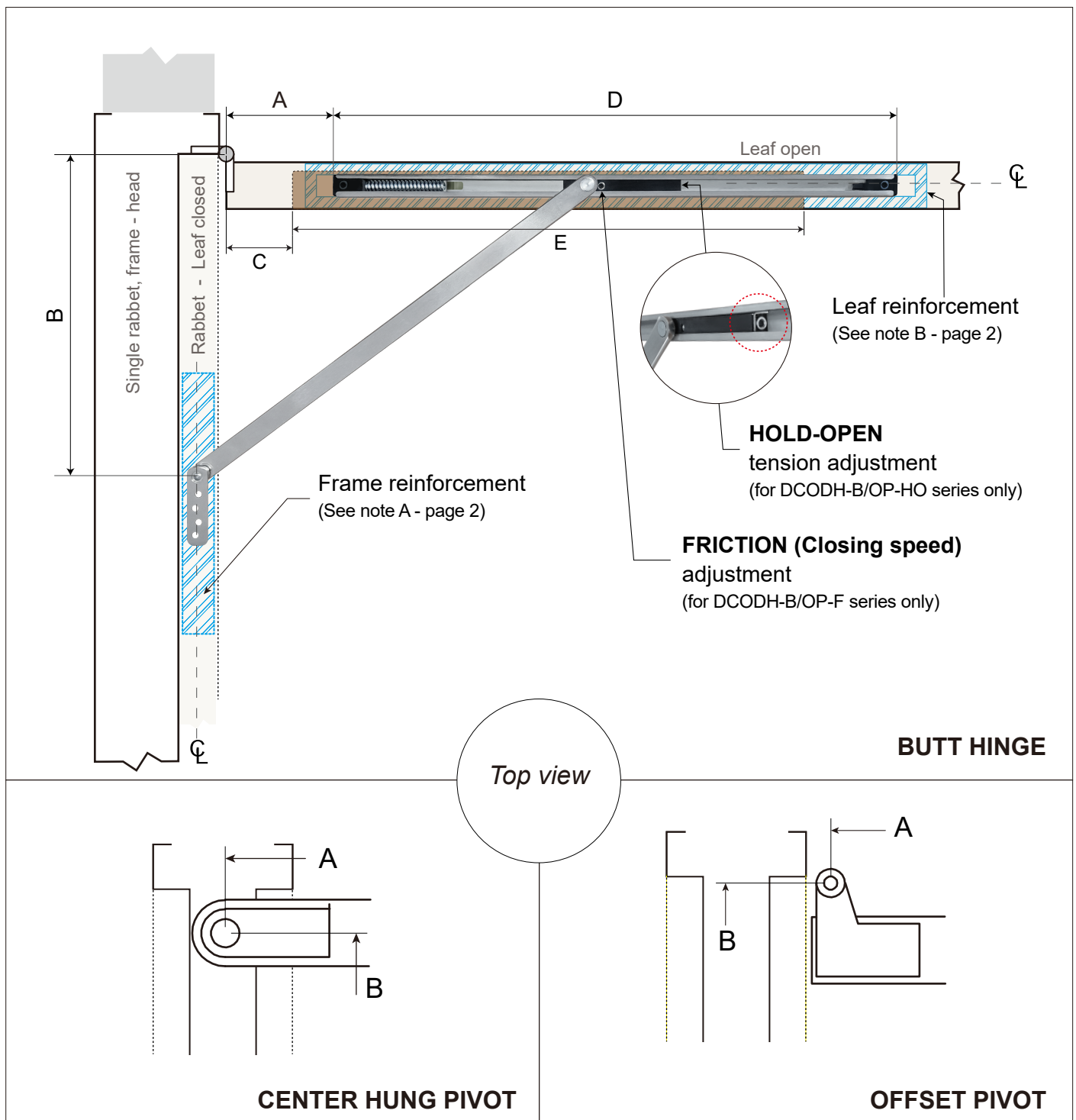


Unit: mm

DCODH – B/OP series should always be installed prior to installing door closer.

Step 1:

- Determine the mounting being used from illustration below.
- Select mounting group # from page 2.
- Using the mounting group # and the Overhead Holder (Friction, Stop & Hold-open) size and the degree of opening desired, find "A", "B", "C", "D" & "E" dimensions from charts on page 5. For Dead Stop add 14 mm to the "A" dimension from the chart. See note D for information about Dead Stop (page 2).



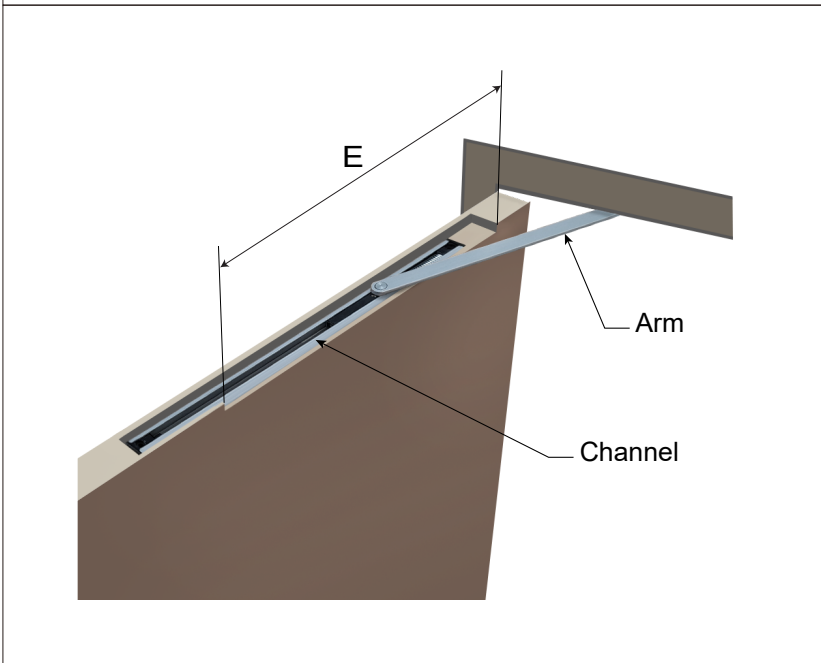
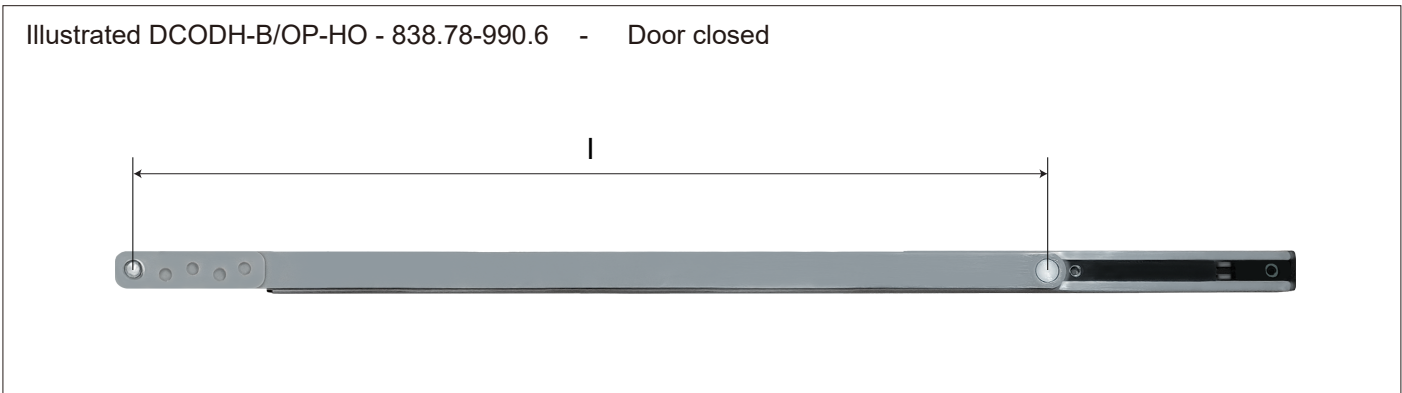
INSTALLATION INSTRUCTIONS

Art#: DCODH-B/OP Series

Concealed overhead door holder



Unit: mm



Leaf Thickness	Hinge Type & Size	Mounting Group #
35 mm Mounting package sold separately	3" Wide Butt	3
	3"-1/2" Butt	3
	3/4" Offset Pivot	4
	Center Hung Pivot	4
44 mm	4" Wide Butt	2
	4-1/2" Wide Butt	2
	5" Wide Butt	1
	3/4" Offset Pivot	2
	Center Hung Pivot	4
51 mm	4-1/2" Wide Butt	2
	5" Wide Butt	1
	3/4" Offset Pivot	1
	Center Hung Pivot	4
57 mm	4-1/2" Wide Butt	2
	5" Wide Butt	2
	3/4" Offset Pivot	1
	Center Hung Pivot	4

Notes:

- A. Hollow metal frames should be properly reinforced with a 5 mm minimum thickness by 305 mm minimum length plate.
- B. Hollow metal leaf should be properly reinforced with a 5 mm minimum thickness by 64 mm minimum width plate.
- C. Stop only units are permitted on many fire door applications. However, Mechanical Hold-Open devices that require manual release are not permitted for use on any fire door as outlined on NFPA80® or NFPA101®.
- D. Dead Stop (DS) templating may be used on Hold Open, Friction & Stop Only models. The DS position is reached when the shock spring is fully compressed. When DS templating is used, the initial degree of Stop will be 5° - 7° less than DS opening. For use on doors opening back-to-back, against a wall or obstruction.
- E. This product cannot be used with Hold-Open function when used in the fire door.

Mounting Screw Details			
	Q'ty	Wood Doors	Metal Doors
Leaf	2	3/16 x 1-1/2"	#10 - 32 x 1-1/2"
Frame Rabbet	4	3/16 x 1-1/2"	#10 - 32 x 1/2"

INSTALLATION INSTRUCTIONS

Art#: DCODH-B/OP Series

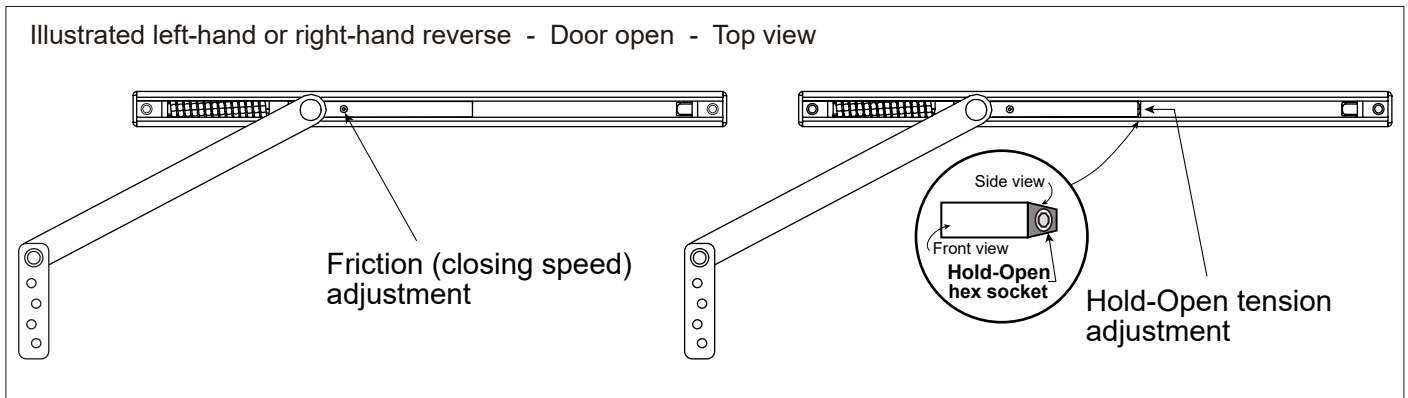
Concealed overhead door holder



Unit: mm

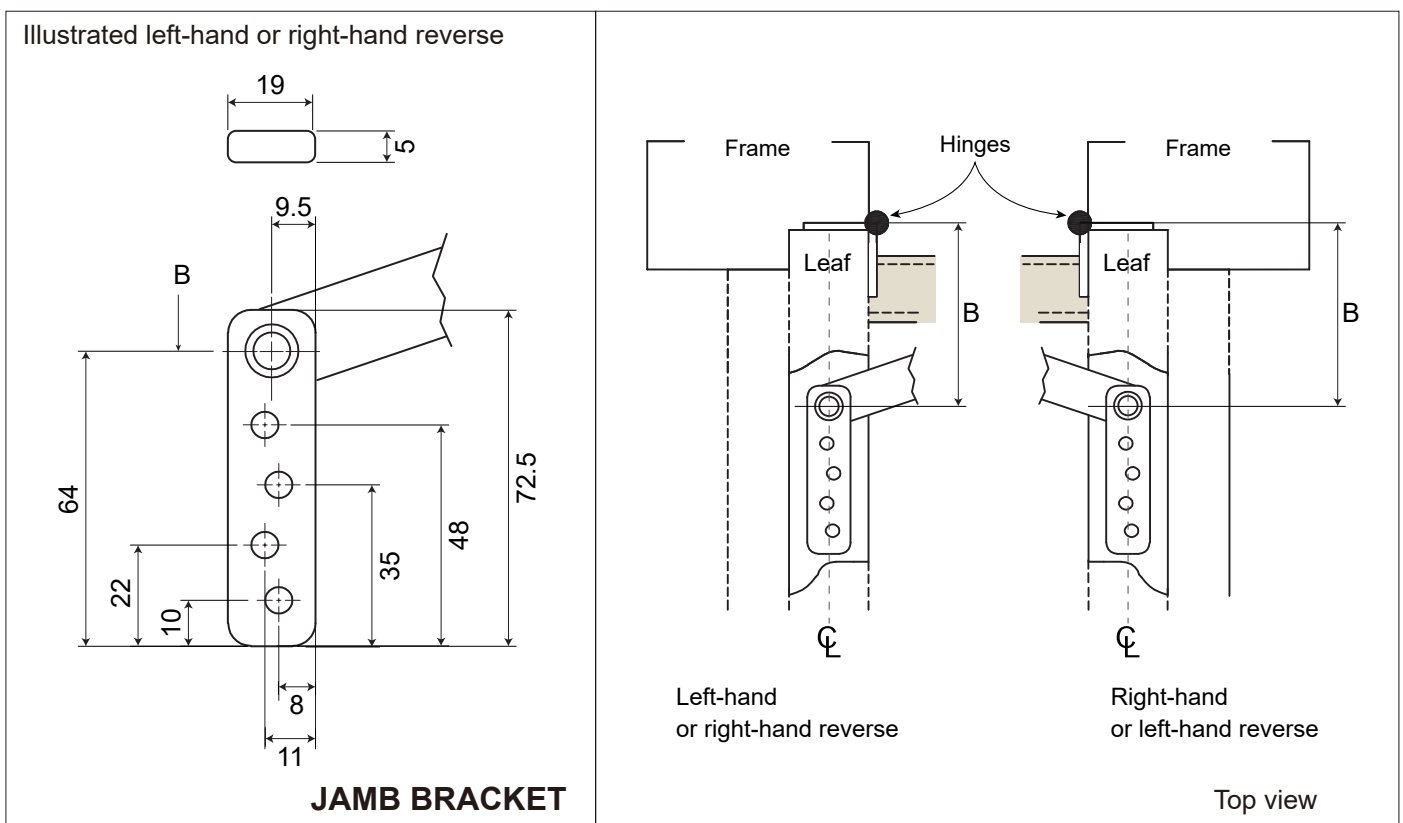
Hold-Open tension adjustment (Hold-Open unit only): Using 5/32" allen key, turn clockwise to decrease Hold-Open tension and counter-clockwise to increase Hold-Open tension. Tension is set to minimum at factory.

Friction adjustment (Friction unit only): Using a 3/32" allen key, turn clockwise to increase the friction tension and turn counter-clockwise to decrease the friction tension.



Step 2:

- Locate "B" dimension on the frame. Note that the "B" dimension is measured from the centerline of the hinge as shown.
- Mortise the jamb bracket as shown. Refer to left-hand and right-hand plan views for appropriate hole pattern.
- For metal frames, use a #21 drill and a 10-32 Tap in 4 places. For wood frames, drill a 1/16" pilot hole in places.



INSTALLATION INSTRUCTIONS

Art#: DCODH-B/OP Series

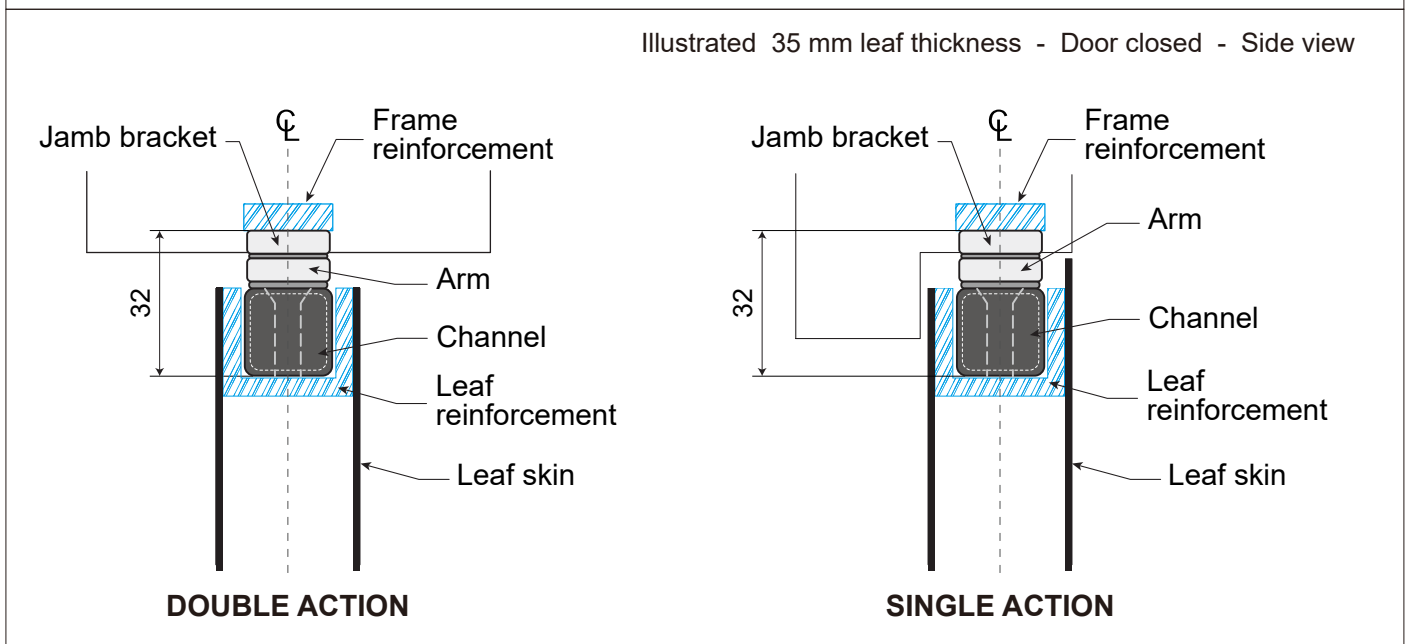
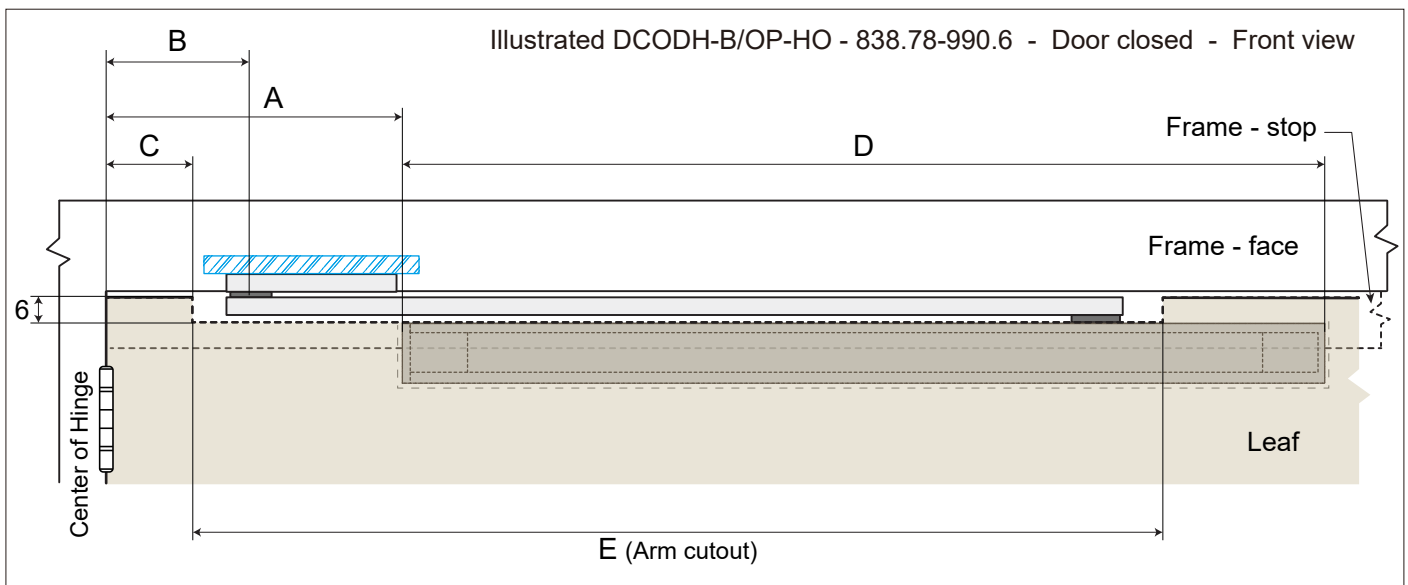
Concealed overhead door holder



Unit: mm

Step 3:

- Locate "A" and "D" dimensions on the leaf. Note that the "A" & "B" dimensions are measured from the centerline of the hinge as shown.
- Mortise for the channel as shown if required.
- Locate "C" & "E" dimensions on the top of the leaf. Note that the "C" dimension is measured from the centerline of the hinge as shown.
- Mortise for arm cutout as shown.
- For metal doors, use a #21 drill and 10-32 tap in 2 places. For wood doors, drill 1/8" pilot holes in 2 places. Mounting holes should be prepared in the field.



Step 4:

- Install jamb bracket on the frame head.
- Install the channel on the leaf with shock spring towards the hinge edge of the door.

INSTALLATION INSTRUCTIONS

Art#: DCODH-B/OP Series

Concealed overhead door holder



Unit: mm

Leaf opening angle	85°			90°			95°			100°			105°			110°											
	A	B	C	A	B	C	A	B	C	A	B	C	A	B	C	A	B	C	D	E	I						
Mounting Group #1	DCODH-B/OP-X-457.2-584.2	49	108	0	330	41	102	0	324	37	97	0	318	92	0	311	27	87	0	311	-	-	395	210			
	DCODH-B/OP-X-585.78-685.8	86	143	51	368	78	133	51	368	71	127	25	368	60	116	0	381	60	116	0	381	56	111	0	381	437	254
	DCODH-B/OP-X-687.38-838.2	186	171	146	406	176	162	127	413	167	152	108	413	160	144	89	425	152	138	83	425	148	133	76	432	468	356
	DCODH-B/OP-X-839.78-990.6	284	213	187	508	270	200	175	508	260	189	164	508	251	178	149	511	241	170	141	511	235	164	135	511	513	457
	DCODH-B/OP-X-992.187-1143	375	248	222	600	360	233	208	600	348	219	194	603	337	206	178	606	327	198	170	606	319	189	160	606	551	552
Mounting Group #2	DCODH-B/OP-X-457.2-584.2	52	113	0	330	46	106	0	330	40	100	0	324	35	95	0	318	32	90	0	311	27	87	0	311	395	210
	DCODH-B/OP-X-585.78-685.8	89	146	51	368	81	138	51	368	75	130	51	368	68	125	25	368	64	121	0	381	59	114	0	381	437	254
	DCODH-B/OP-X-687.38-838.2	191	176	151	406	179	165	140	406	171	156	130	406	164	149	108	413	157	141	89	425	148	133	76	425	468	356
	DCODH-B/OP-X-839.78-990.6	287	216	191	508	275	203	178	508	262	192	167	508	254	183	154	511	246	175	146	511	238	167	138	511	513	457
	DCODH-B/OP-X-992.187-1143	379	251	225	603	364	237	211	603	351	222	197	603	340	211	183	606	330	200	171	606	322	192	164	606	551	552
Mounting Group #3	DCODH-B/OP-X-457.2-584.2	57	116	0	337	49	110	0	330	44	103	0	330	40	98	0	324	35	95	0	318	32	90	0	311	395	210
	DCODH-B/OP-X-585.78-685.8	92	149	51	368	84	141	51	368	78	135	51	368	71	129	25	368	67	122	25	368	62	117	0	381	437	254
	DCODH-B/OP-X-687.38-838.2	194	179	154	406	184	168	143	406	175	160	127	406	167	152	108	413	160	146	89	425	154	140	76	432	468	356
	DCODH-B/OP-X-839.78-990.6	292	217	192	511	279	205	179	511	267	195	170	508	257	186	157	511	248	178	149	511	241	168	140	511	513	457
	DCODH-B/OP-X-992.187-1143	383	254	229	600	367	240	214	600	354	225	200	603	343	214	186	606	333	203	175	606	324	195	167	606	551	552
Mounting Group #4	DCODH-B/OP-X-457.2-584.2	-	-	-	-	-	-	-	-	-	-	-	-	-	-	-	-	-	-	-	-	-	-	-	-	395	210
	DCODH-B/OP-X-585.78-685.8	-	-	-	-	-	-	-	-	-	-	-	-	-	-	-	-	-	-	-	-	-	-	-	-	437	254
	DCODH-B/OP-X-687.38-838.2	203	189	164	406	194	178	152	406	184	170	144	406	176	160	132	410	171	151	122	416	164	148	119	410	468	356
	DCODH-B/OP-X-839.78-990.6	302	230	206	508	287	217	192	508	278	206	179	508	267	197	154	508	259	186	157	511	251	178	149	511	513	457
	DCODH-B/OP-X-992.187-1143	394	267	241	600	378	251	225	600	363	237	211	603	354	224	195	606	343	214	186	606	333	206	178	606	551	552

Caution: "A", "B" & "C" dimensions are measured from the centerline of pivot, not the edge of door.

For Dead Stop add 14 mm to the "A" dimension.

"I" is demonstrated in page 2.

"D" is demonstrated in page 4.

* Not to be used with offset pivots.