

INSTALLATION INSTRUCTIONS

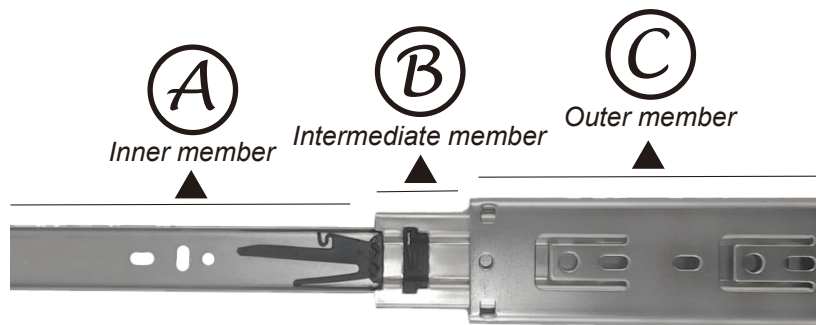
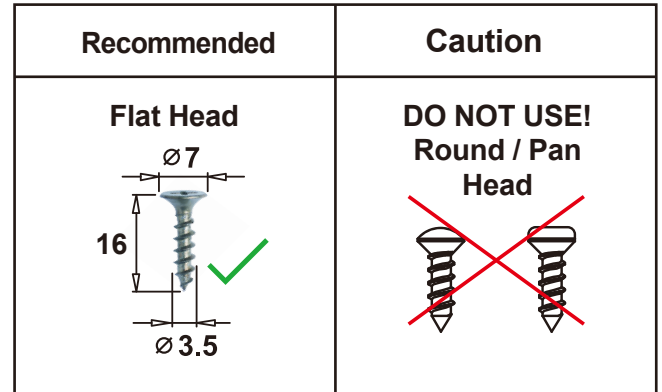
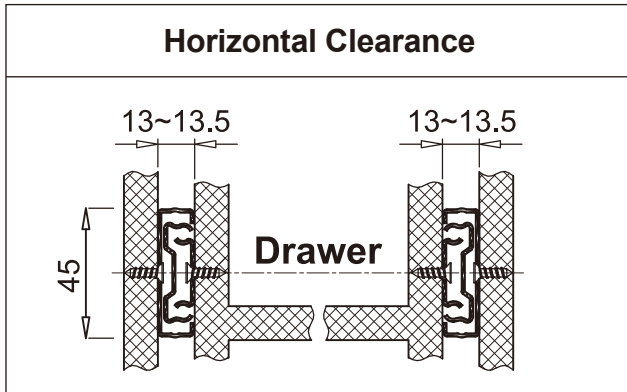
Product code: 1001-1201-001 series

45mm Ball-Bearing 100% extension drawers slides

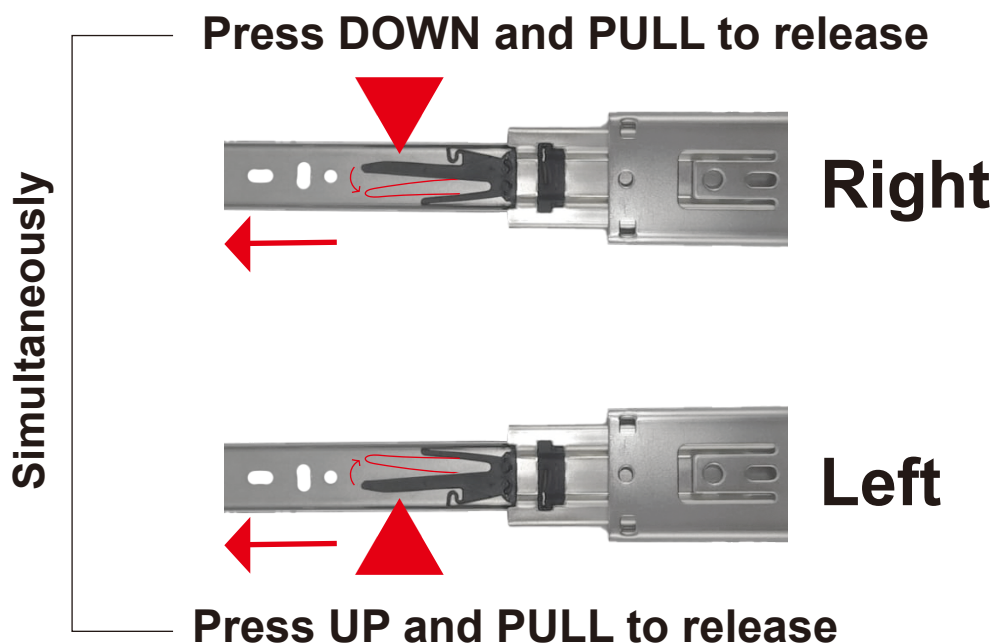
Soft-Close

400 mm length is illustrated

Unit: mm



1 Releasing Inner Members (A)



INSTALLATION INSTRUCTIONS

Product code: 1001-1201-001 series

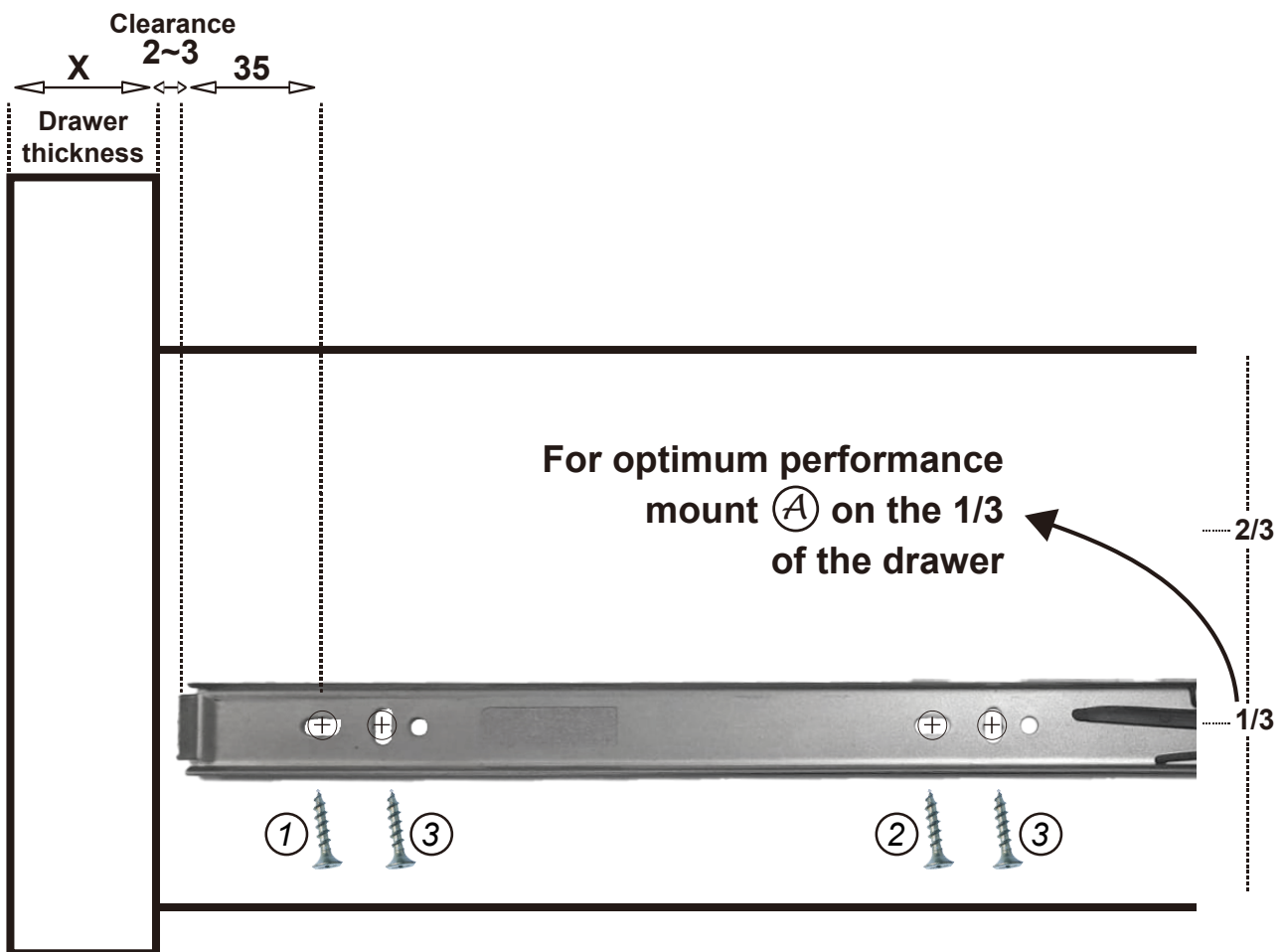
45mm Ball-Bearing 100% extension drawers slides

Soft-Close

400 mm length is illustrated

Unit: mm

2 Fixing right & left Inner Members (A) to the drawer (inset & overlay drawer)



Note:

- For slides length between 250 and 500 mm: 2 fixing screws (1) & (2) are sufficient for (A).
- For slides length between 550 and 600 mm: 3 fixing screws (1), (2) & (3) are sufficient for (A).

Side view

INSTALLATION INSTRUCTIONS

Product code: 1001-1201-001 series

45mm Ball-Bearing 100% extension drawers slides

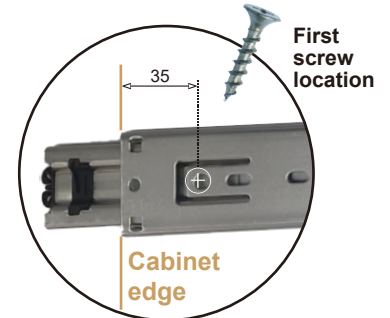
Soft-Close

400 mm length is illustrated

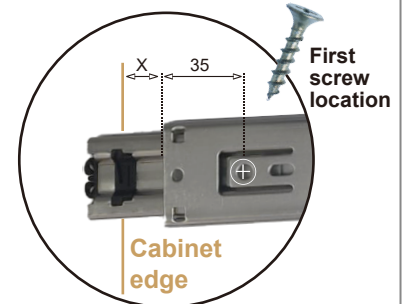
Unit: mm

3 Fixing (B) & (C) to the cabinet

Overlay drawer

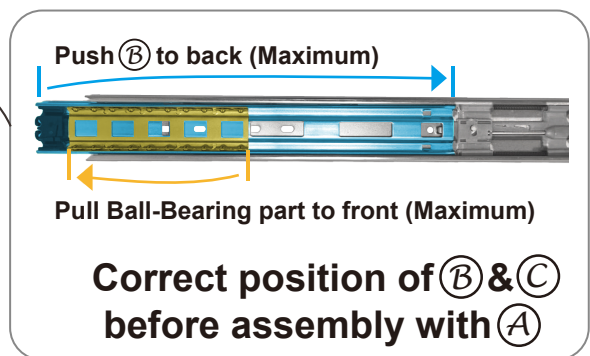
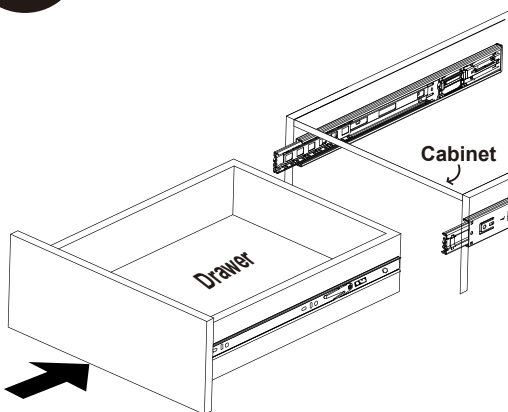


Inset drawer



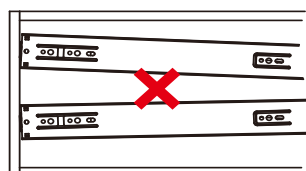
X = thickness of drawer

4 Insert the drawer into cabinet

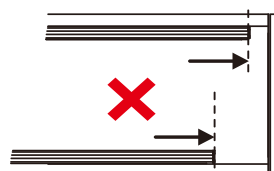


Notice

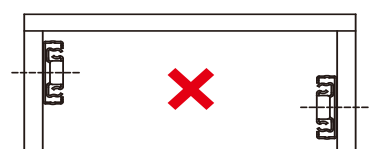
Ensure all slides must be LEVELLED and PARALLELED before & after installation



Side view



Top view



Front view

INSTALLATION INSTRUCTIONS

Product code: 1001-1201-001 series

45mm Ball-Bearing 100% extension drawers slides

Soft-Close



DIMENSIONS

Unit: mm

