

Technical Specifications

Model: DCHZA-60

- Minimum door thickness: 38 mm
- Door leaf weight with 2 hinges: Maximum 60 kg
- Door leaf weight with 3 hinges: Maximum 80 kg
- Height adjustment range: -2.0 to +2.0 mm
- Side adjustment range: -1.0 to +1.0 mm
- Depth adjustment range: -1.5 to +1.5 mm
- Maximum distance to mortise edge toward door surface: 4 mm

(1) The door leaf dimensions of 926 x 2040 mm are used as a reference. The required number of hinges depends on the door's dimensions and weight.

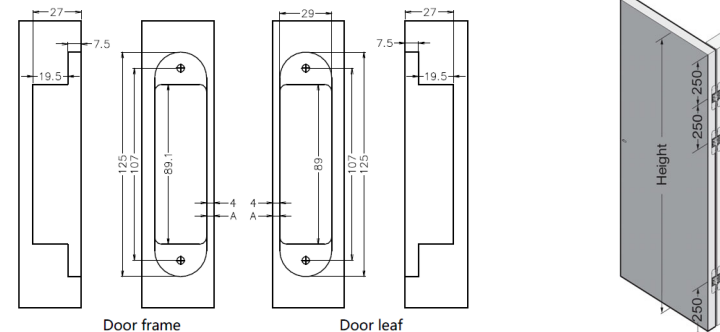
(2) Generally, the factory setting is in the middle position: the standard door gap is 2 mm.

(3) Packaging Contents: 1 hinge, 8 M5x16mm machine screws, 8 self tapping wood screws

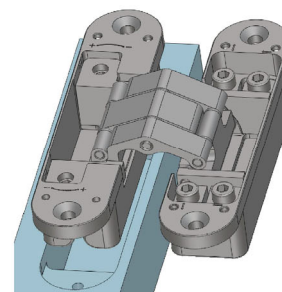
Door height (mm)	Load Capacity Chart (kg) - 2 Hinges							
	60	60	60	58	51	46	42	
2200	60	60	60	55	48	44	40	
2100	60	60	60	51	46	42	39	
2000	60	60	60	48	44	40	38	
1900	60	60	60	48	44	40	38	
Door Width (mm)	700	800	900	1000	1100	1200	1300	

Door height (mm)	Load Capacity Chart (kg) - 3 Hinges							
	80	80	80	80	80	80	80	80
3000	80	80	80	80	80	80	80	80
2900	80	80	80	80	80	80	80	80
2800	80	80	80	80	80	80	80	75
2700	80	80	80	80	80	80	80	71
2600	80	80	80	80	80	76	67	
2500	80	80	80	80	80	71	64	
2400	80	80	80	80	77	67	61	
2300	80	80	80	80	72	64	58	
2200	80	80	80	78	67	60	56	
2100	80	80	80	72	63	57	54	
2000	80	80	80	67	60	55	52	
Door Width (mm)	700	800	900	1000	1100	1200	1300	

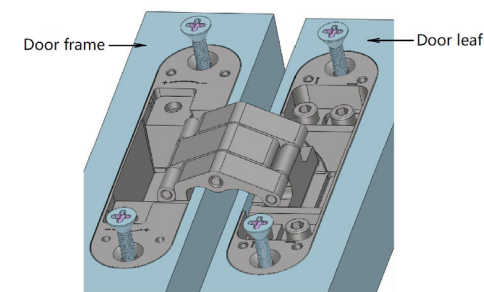
A. Cutout



B. Installation Steps

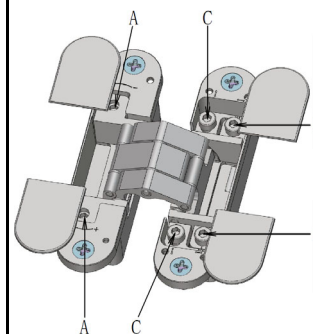


As shown in Figure 1, place the side marked "DOOR" into the hole in the door frame. Secure the product to the door frame using self-tapping screws or machine screw.



As shown in Figure 2, place the side marked "FRAME" into the hole in the door leaf. Secure the product to the door leaf using self-tapping screws or machine screws.

C. Adjustment



Depth Adjustment (+/- 1.5mm) : Use a hex key to adjust (A). Turning clockwise increases the door gap, and turning counterclockwise decreases it. Note: Adjust both sides simultaneously!

Side Adjustment (+/- 1mm) : Loosen screw (B) by turning it counterclockwise, make the necessary adjustments, then tighten it securely.

Height Adjustment (+/- 2mm) : Loosen screw (C) by turning it counterclockwise, make the necessary adjustments, then tighten it securely.

Attention: Once installation is complete, attach the cover and repeatedly open and close the door several times to ensure everything functions correctly

For regular maintenance of the hinges, keep them clean and apply a small amount of grease (oil) as needed.