

INSTALLATION INSTRUCTIONS

ART#: 19X SERIES

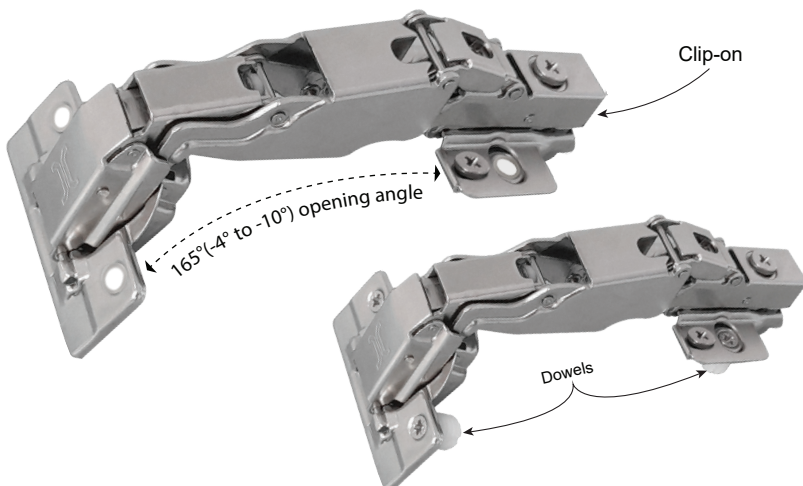
CABINET HINGE OPENING ANGLE: 165° (TOLERANCE FROM -4° TO -10°)

Unit: mm

Cabinet hinge features:

- For leaf thickness 14-26 mm.
- Opening angle **165°**(tolerance from -4° to -10°) soft-close hinge.
- One way hinge.
- Base material: Cold rolled steel.
- Finishes: - Copper (CU) & nickel plated.
- Optional: Copper (CU) & matt black plated.
- Tool-free (Clip-on) for assembly ease.
- Cup screw fixing distance: 48 mm.
- 3D adjustment (with mounting plate).
- Compliant to EN15570 - level 2.

Illustrated hinge 19X Series with mounting plate 701 & 702 Series



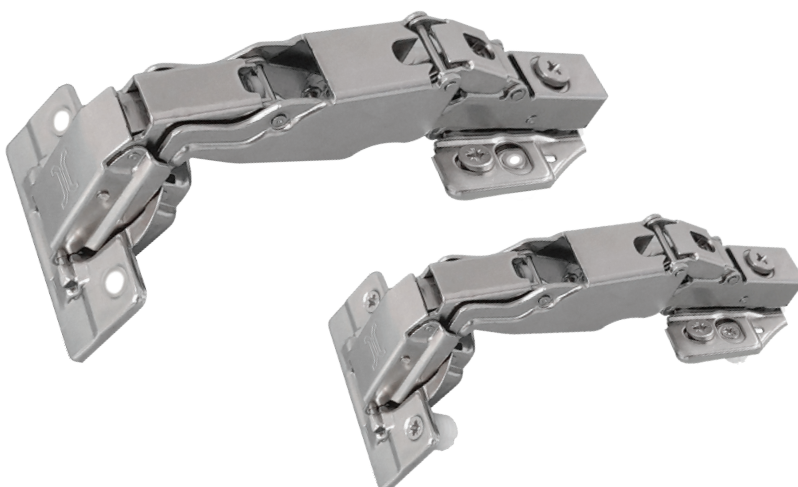
Illustrated mounting plate 701 Series



Illustrated mounting plate 702 Series (with dowel)



Illustrated hinge 19X Series with mounting plate 711 & 712 Series



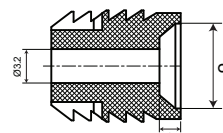
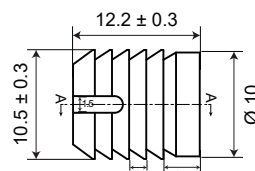
Illustrated mounting plate 711 Series



Illustrated mounting plate 712 Series (with dowel)



Dowel dimensions
Ø 10 mm

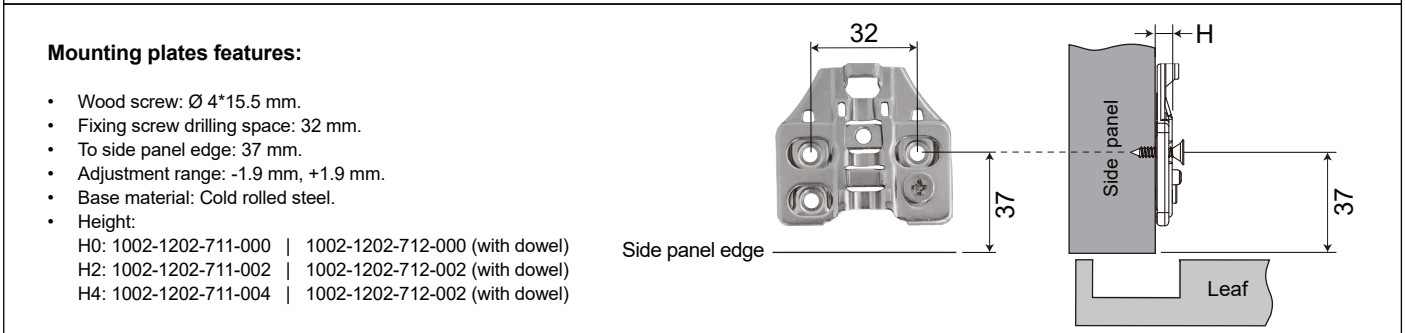
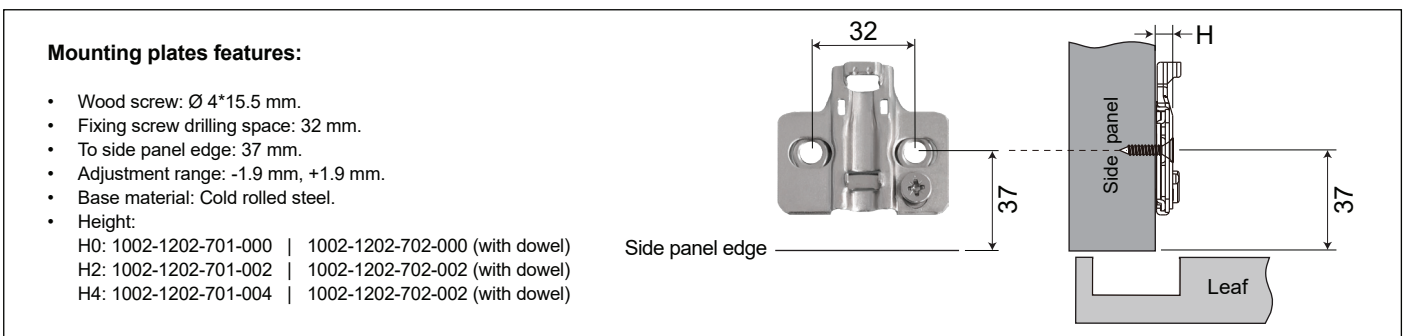
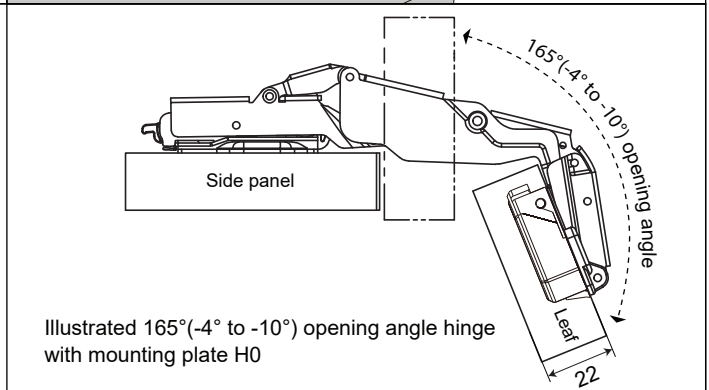
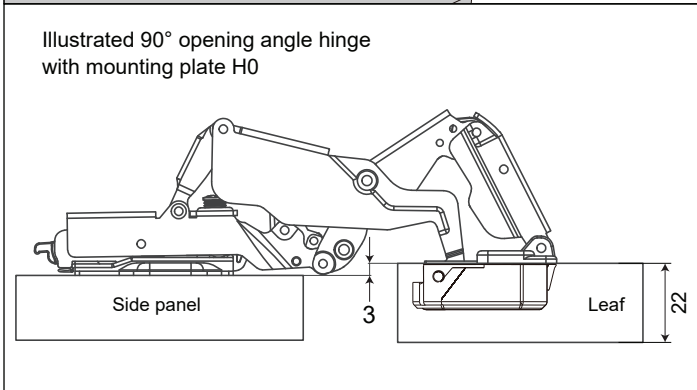
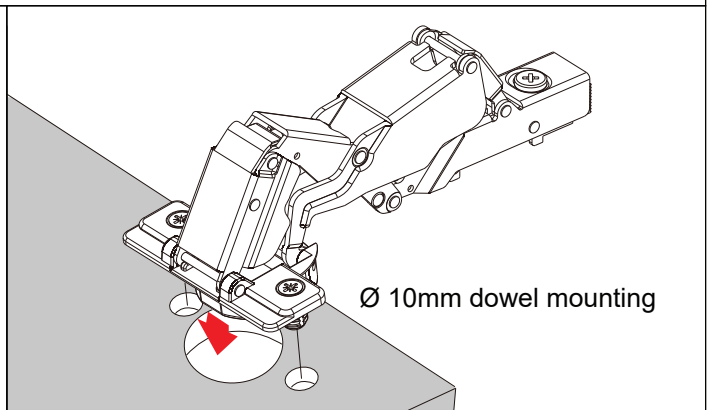
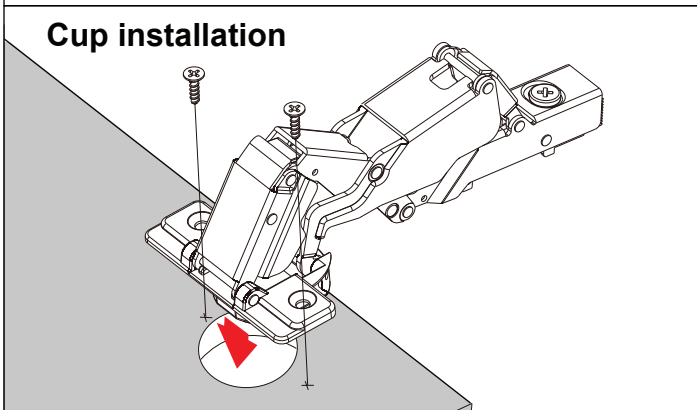
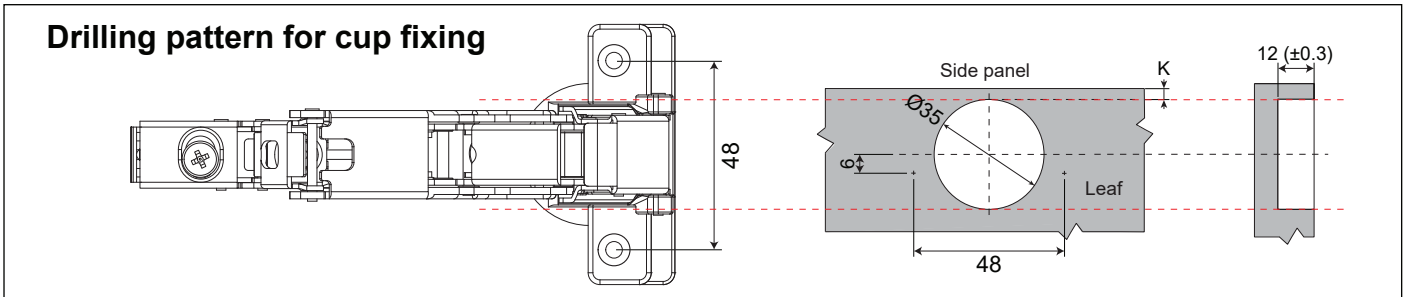


INSTALLATION INSTRUCTIONS

ART#: 19X SERIES

CABINET HINGE OPENING ANGLE: 165° (TOLERANCE FROM -4° TO -10°)

Unit: mm

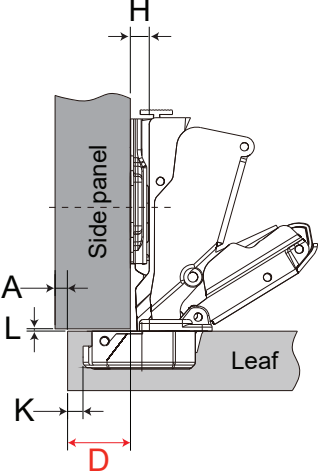


INSTALLATION INSTRUCTIONS

ART#: 19X SERIES

CABINET HINGE OPENING ANGLE: 165° (TOLERANCE FROM -4° TO -10°)

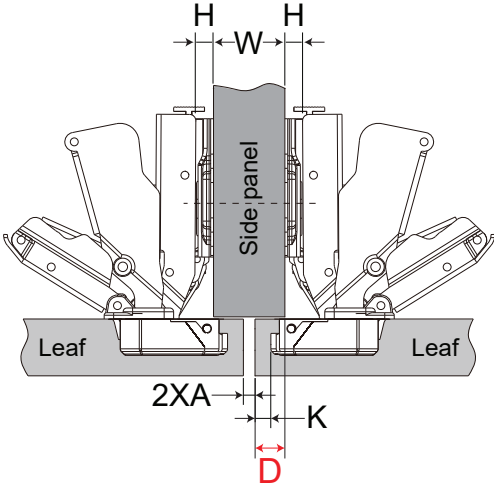
Unit: mm



FULL OVERLAY
Art #: 1002-1202-191-165 & 1002-1202-194-165 (with dowel)

H = 14 + K - D

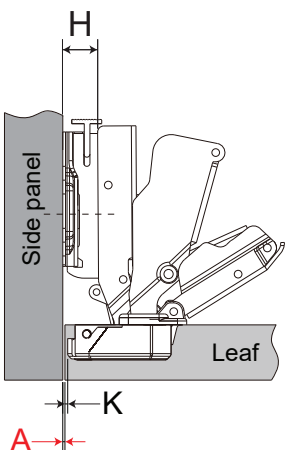
D \ K	3	4	5	6	7
0	17	18	19	20	21
2	15	16	17	18	19
4	13	14	15	16	17



HALF OVERLAY
Art #: 1002-1202-192-165 & 1002-1202-195-165 (with dowel)

H = 4 + K - D

D \ K	3	4	5	6	7
0	7	8	9	10	11
2	5	6	7	8	9
4	3	4	5	6	7



INSET
Art #: 1002-1202-193-165 & 1002-1202-196-165 (with dowel)

H = 0 + K + A

A \ K	3	4	5	6	7
2	-1	-2	-3	-4	-5
4	1	0	-1	-2	-3

INSTALLATION INSTRUCTIONS

ART#: 19X SERIES

CABINET HINGE OPENING ANGLE: 165° (TOLERANCE FROM -4° TO -10°)



Unit: mm

Minimum reveal table

N	T	14	15	16	17	18	19	20	21	22	23	24	25	26
3	0.0	0.0	0.0	0.0	0.0	0.0	0.0	0.0	0.0	0.5	1.0	1.6	2.1	2.7
4	0.0	0.0	0.0	0.0	0.0	0.0	0.0	0.0	0.0	0.3	0.9	1.4	2.0	2.5
5	0.0	0.0	0.0	0.0	0.0	0.0	0.0	0.0	0.0	0.1	0.7	1.2	1.8	2.3
6	0.0	0.0	0.0	0.0	0.0	0.0	0.0	0.0	0.0	0.0	0.5	1.1	1.6	2.2
7	0.0	0.0	0.0	0.0	0.0	0.0	0.0	0.0	0.0	0.0	0.4	0.9	1.5	2.0

K= Boring distance
T= Leaf thickness
N= Minimum gap
L= Gap between leaf & side panel

Note: Parameters (showing on tables) are based on right-angle leaf edge. If the leaves having round corner edges, the parameters value will be reduced.

Hinge adjustment

Height adjustment

Adjust the mounting plate on panel to adjust the leaf's height.
Adjust range: -1.9mm, +1.9mm.

Overlay adjustment

Rotate lateral screw to increase or decrease leaf overlay.
Adjust range: -3mm, +3mm.

Depth adjustment

Rotate depth screw to adjust leaf gap.
Adjust range: -1.9mm, +1.9mm.

Notes:

- Mounting plates 701 series, 702 series, 711 series & 712 series have the same adjust ranges.
- The reference adjustment range is the product design range. The actual size of the cabinet and the drilling method may have a certain impact on the parameters.

Hinges distribution based on leaf height and weight

Width of door less than 600mm

At least 90mm

Height of door:

- Less than 2400mm
- Less than 2000mm
- Less than 1600mm
- Less than 900mm

Hinge weights:

- 2: 4-6kg
- 3: 6-12kg
- 4: 12-17kg
- 5: 17-22kg