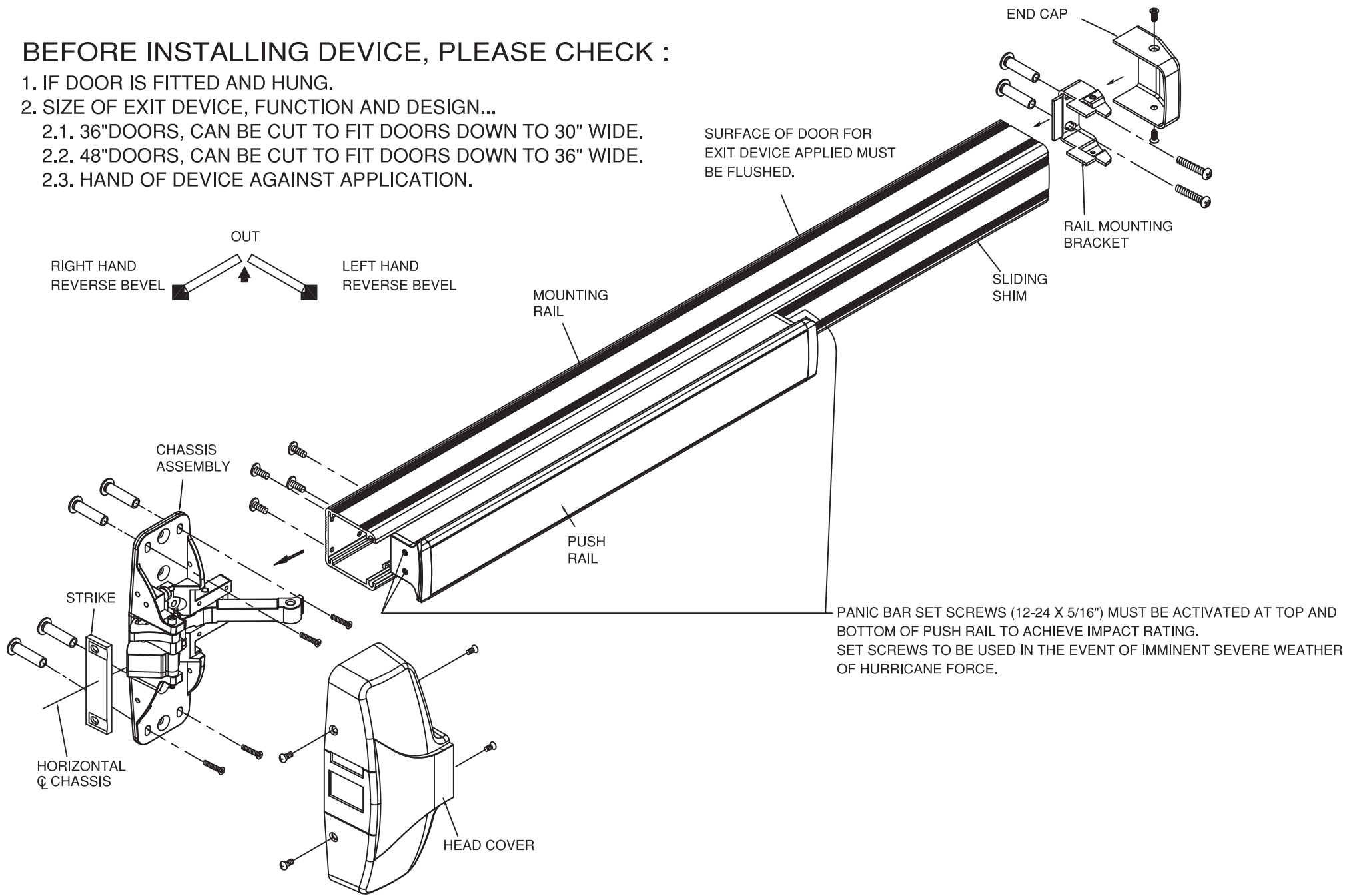


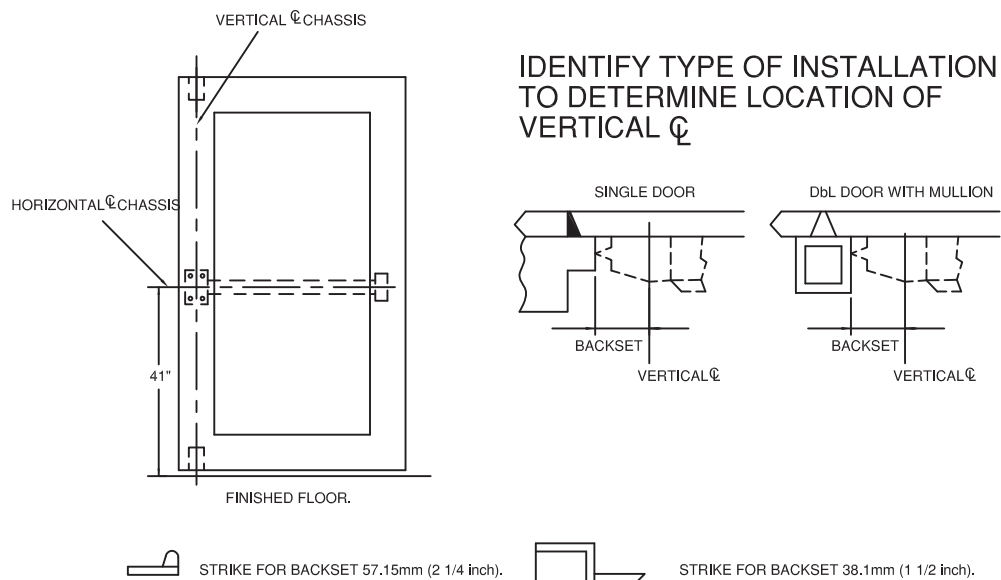
**BEFORE INSTALLING DEVICE, PLEASE CHECK :**

1. IF DOOR IS FITTED AND HUNG.
2. SIZE OF EXIT DEVICE, FUNCTION AND DESIGN...
  - 2.1. 36" DOORS, CAN BE CUT TO FIT DOORS DOWN TO 30" WIDE.
  - 2.2. 48" DOORS, CAN BE CUT TO FIT DOORS DOWN TO 36" WIDE.
  - 2.3. HAND OF DEVICE AGAINST APPLICATION.

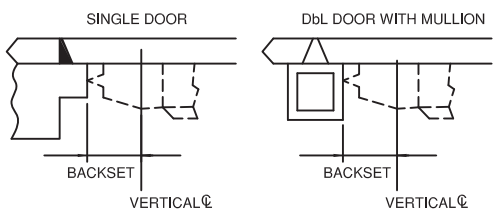


**1. PREPARE DOOR**

MARK VERTICAL  $\varnothing$  CHASSIS AND HORIZONTAL  $\varnothing$  CHASSIS USING DIMENSIONS BELOW. MOUNTING SCREW HOLES.

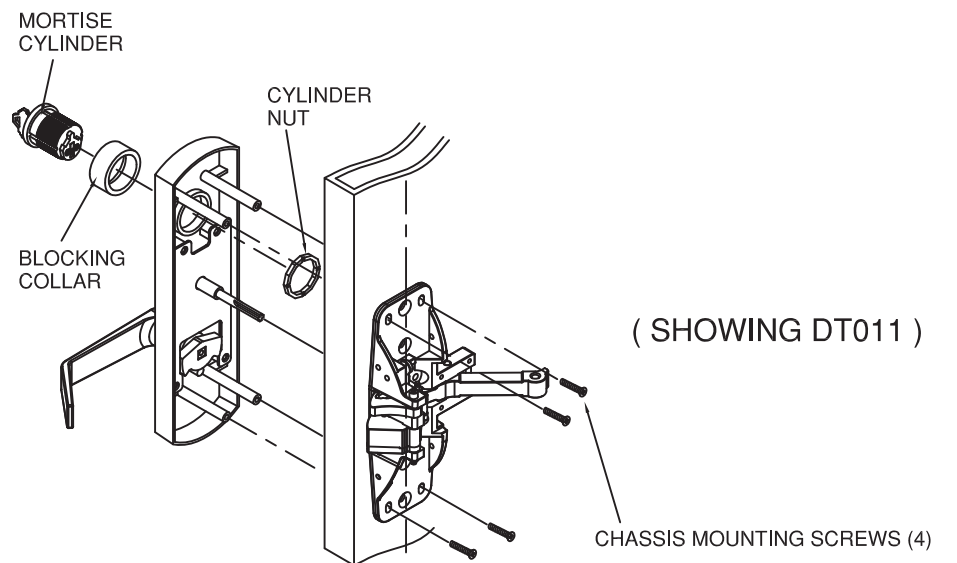


IDENTIFY TYPE OF INSTALLATION TO DETERMINE LOCATION OF VERTICAL  $\varnothing$



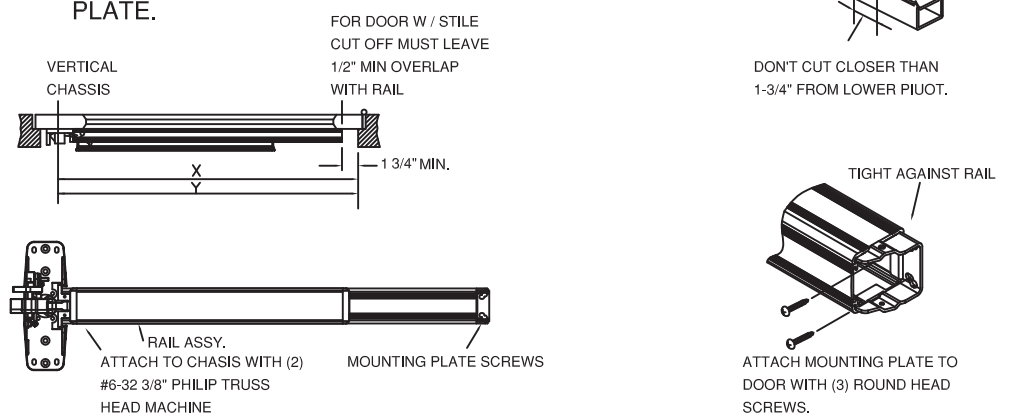
STRIKE FOR BACKSET 57.15mm (2 1/4 inch). STRIKE FOR BACKSET 38.1mm (1 1/2 inch).

**2. APPLY HARDWARE**

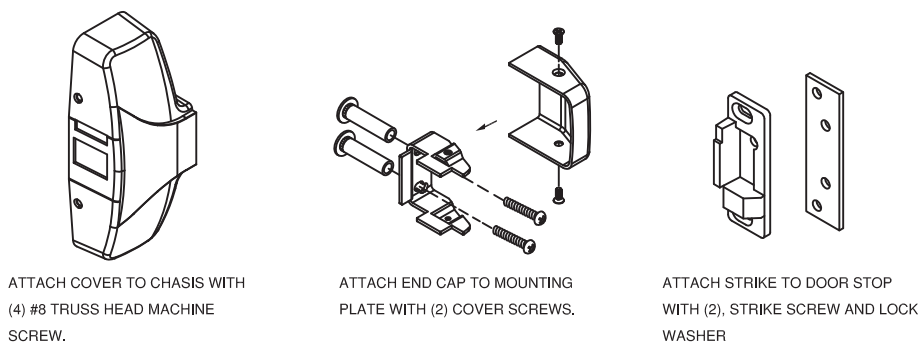


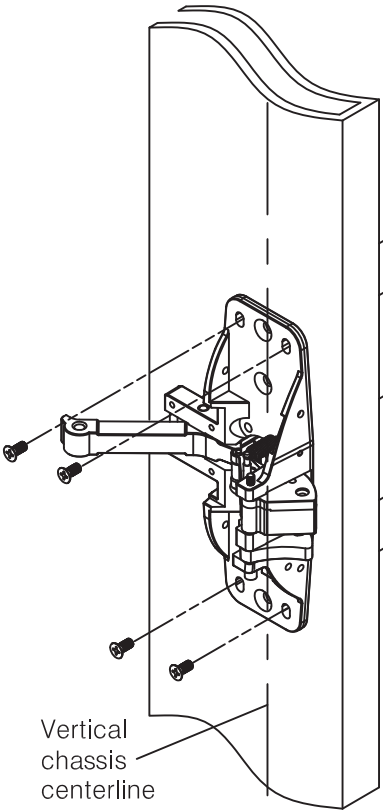
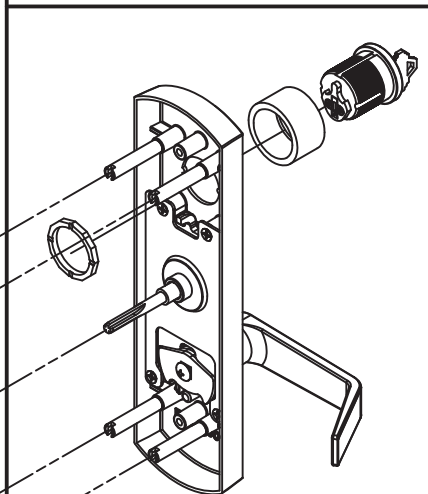
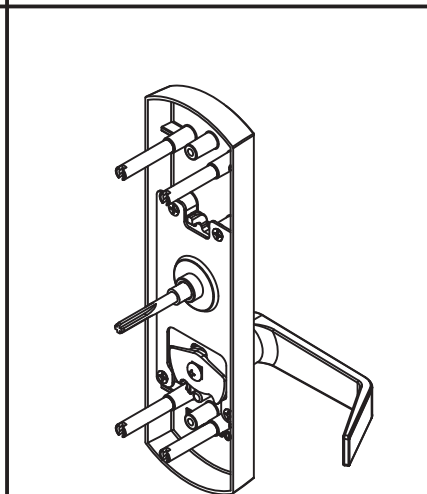
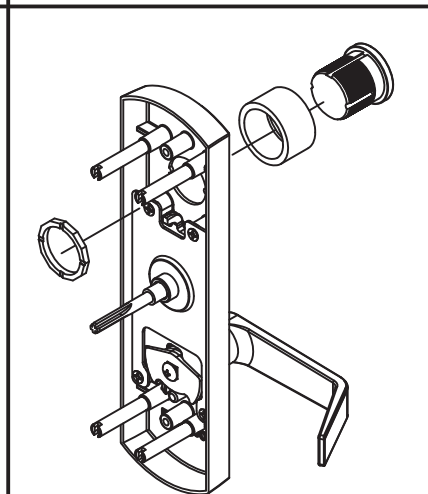
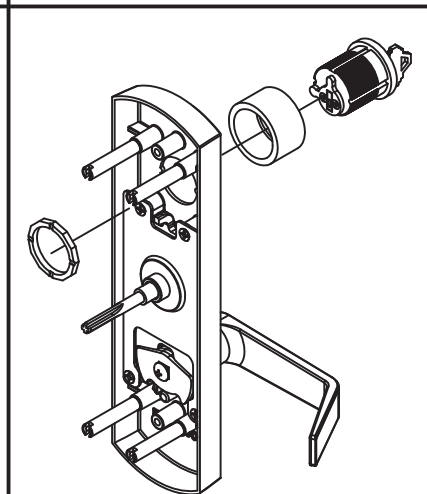
**3. APPLY RAIL ASSEMBLY**

- 3.1 CHECK THE SIZE OF DEVICE, IF CUTTING TO LENGTH IS REQUIRED.
- 3.2 DETERMINE CUT OFF LENGTH "X" BY SUBTRACTING 1-3/4" FROM "Y". MARK CUT OFF POINT ON MOUNTING RAIL.
- 3.3 DEPRESS ARM INTO RAIL OPENING AND SLIDE RAIL ONTO CHASSIS. LEVEL RAIL AND FASTEN CHASSIS AND MOUNTING PLATE.

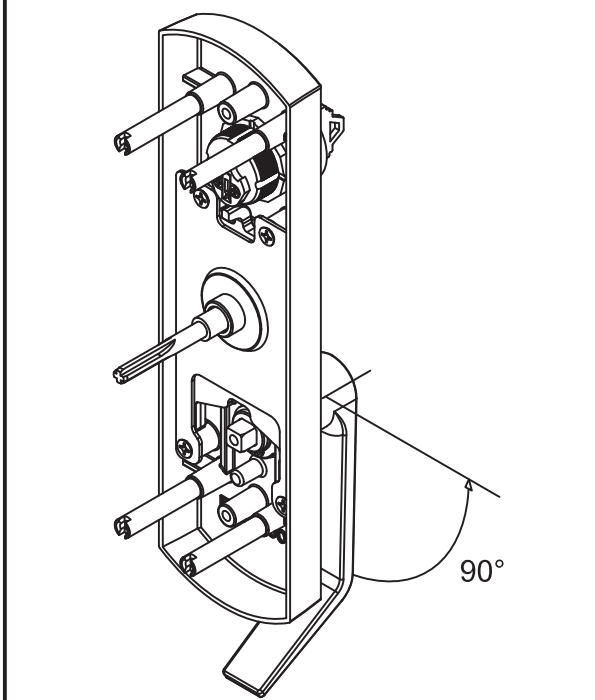
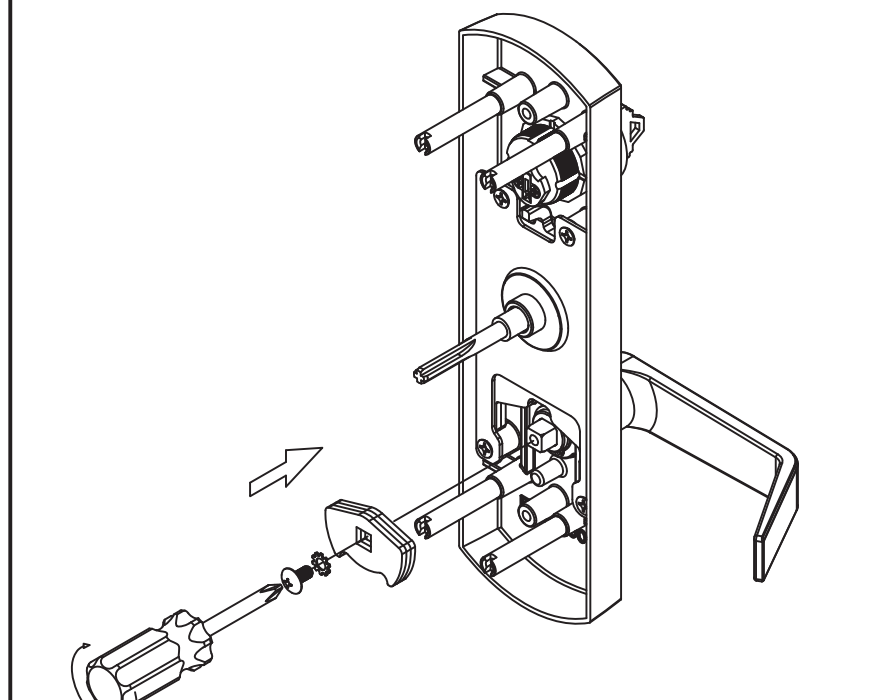
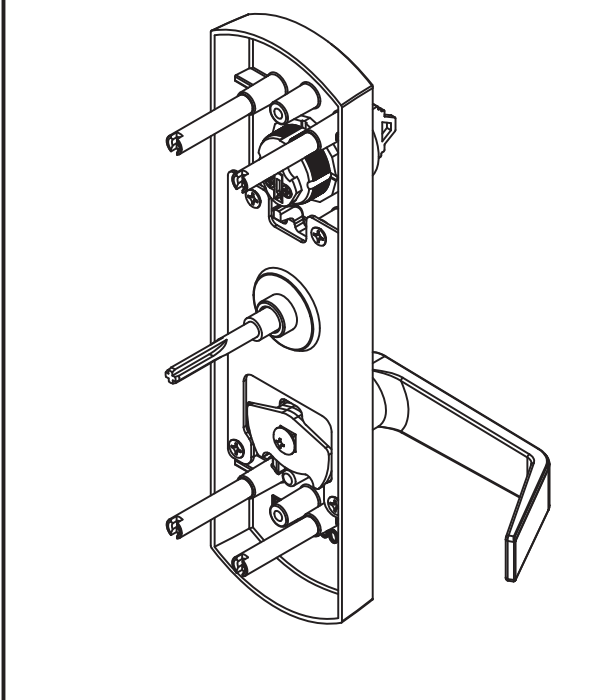


**4. APPLY COVER AND STRIKES**

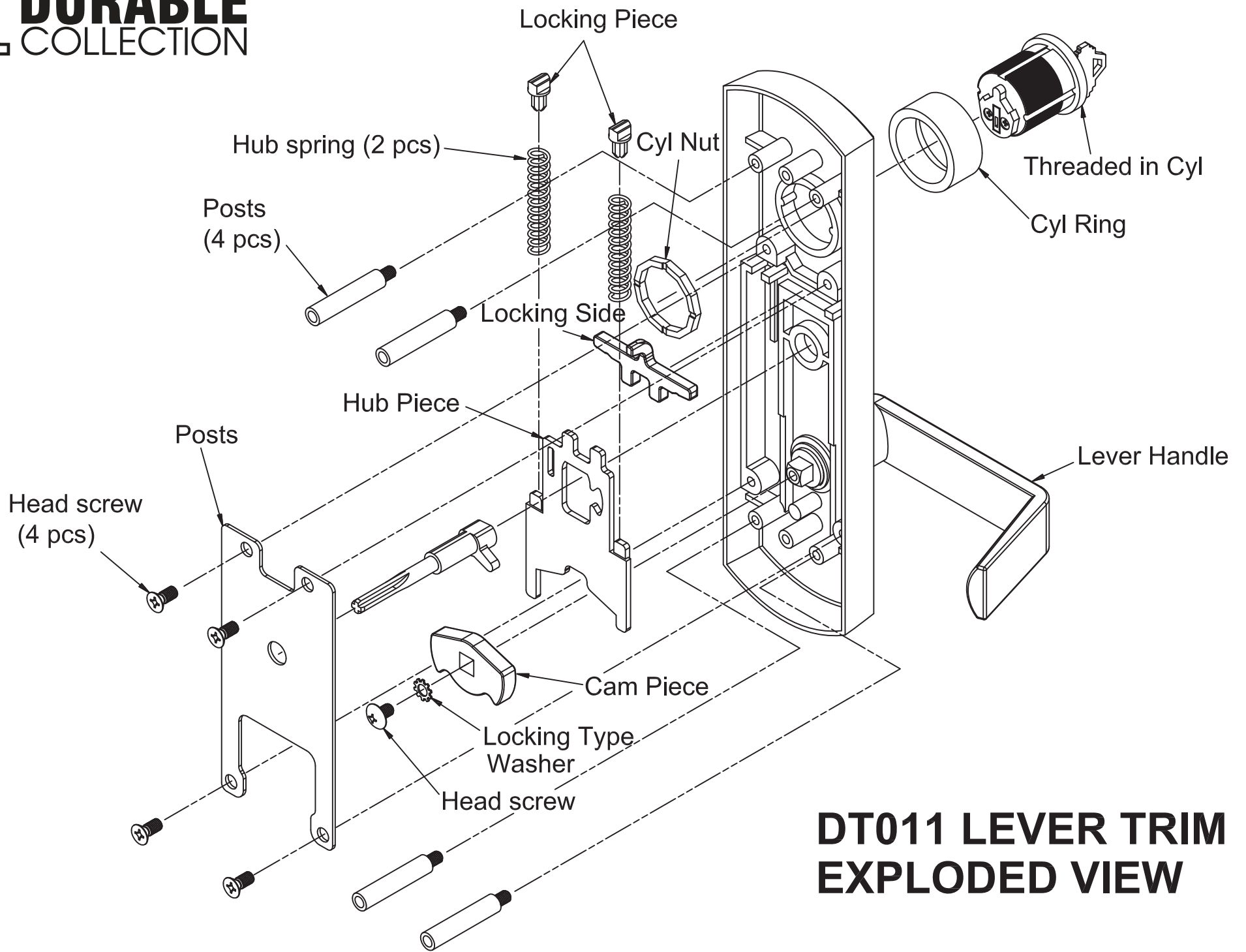


	DT011	DT011P	DT011D	DT011S
 <p>Vertical chassis centerline</p>	 <p>Lockable Lever Trim Key locks &amp; Unlocks Lever</p>	 <p>No Cyl, Trim Always Operable</p>	 <p>Pull when Push bar locked down Dummy Lever Trim</p>	 <p>Key unlock Key remained on Cyl unless Locked.</p>
	Classroom	Passage	Dummy	Storeroom
	Attach the collar and mortise cyl. to the case with mortise nut, attach case to door thru bolting (4) screws to the chassis, aligning spindle to hub	Attach case to door thru bolting the (4) screws to the chassis, allaning spindle to hub of the Chassis	Attach the collar and dummy cyl. to the case with mortise nut, attach case to door thru bolting (4) screws to the chassis,	Attach the collar and mortise cyl to the case with mortise nut, attach case to door thru bolting (4) screws to the chassis, aligning sprindle to hub

## DT011 Series Lever Trim Method of Changing Hand of Lever, LHR

<p>1. Rotate lever to LHR positioned at 90°</p> 	<p>2. Place and fasten cam piece with locked type washer and screw</p> 	<p>3. Done</p> 
--	---	--

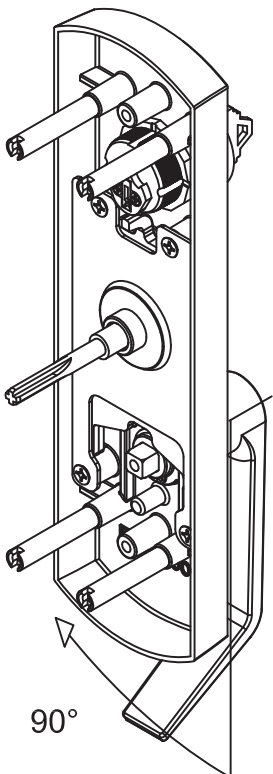
DT011 , DT011S , DT011P , DT011D



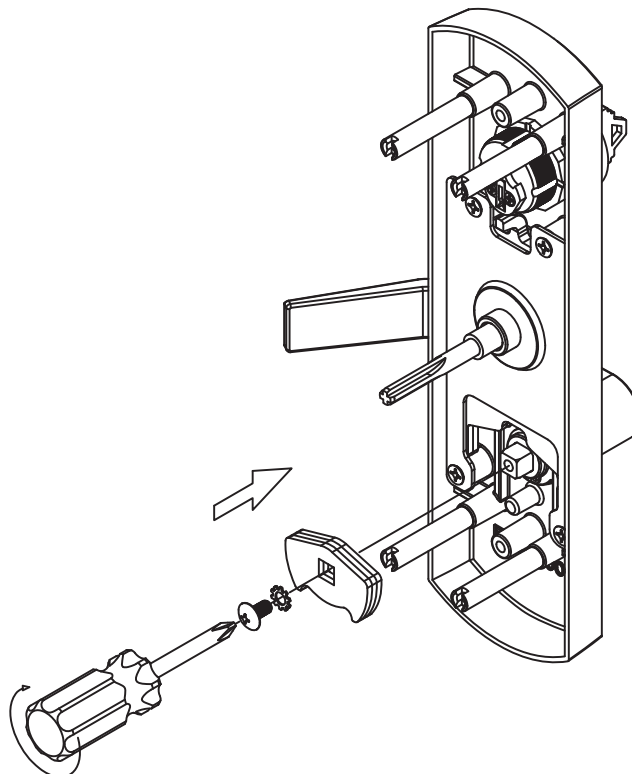
**DT011 LEVER TRIM  
EXPLODED VIEW**

**DT011 Series Lever Trim  
Method of Changing Hand of Lever, RHR**

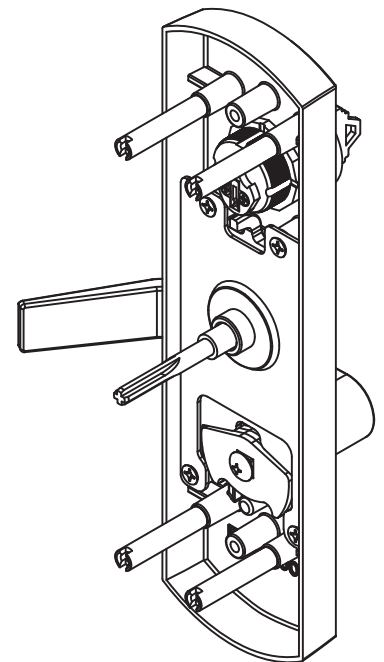
1. Rotate lever to RHR positioned at 90°



2. Place and fasten cam piece with locked type washer and screw

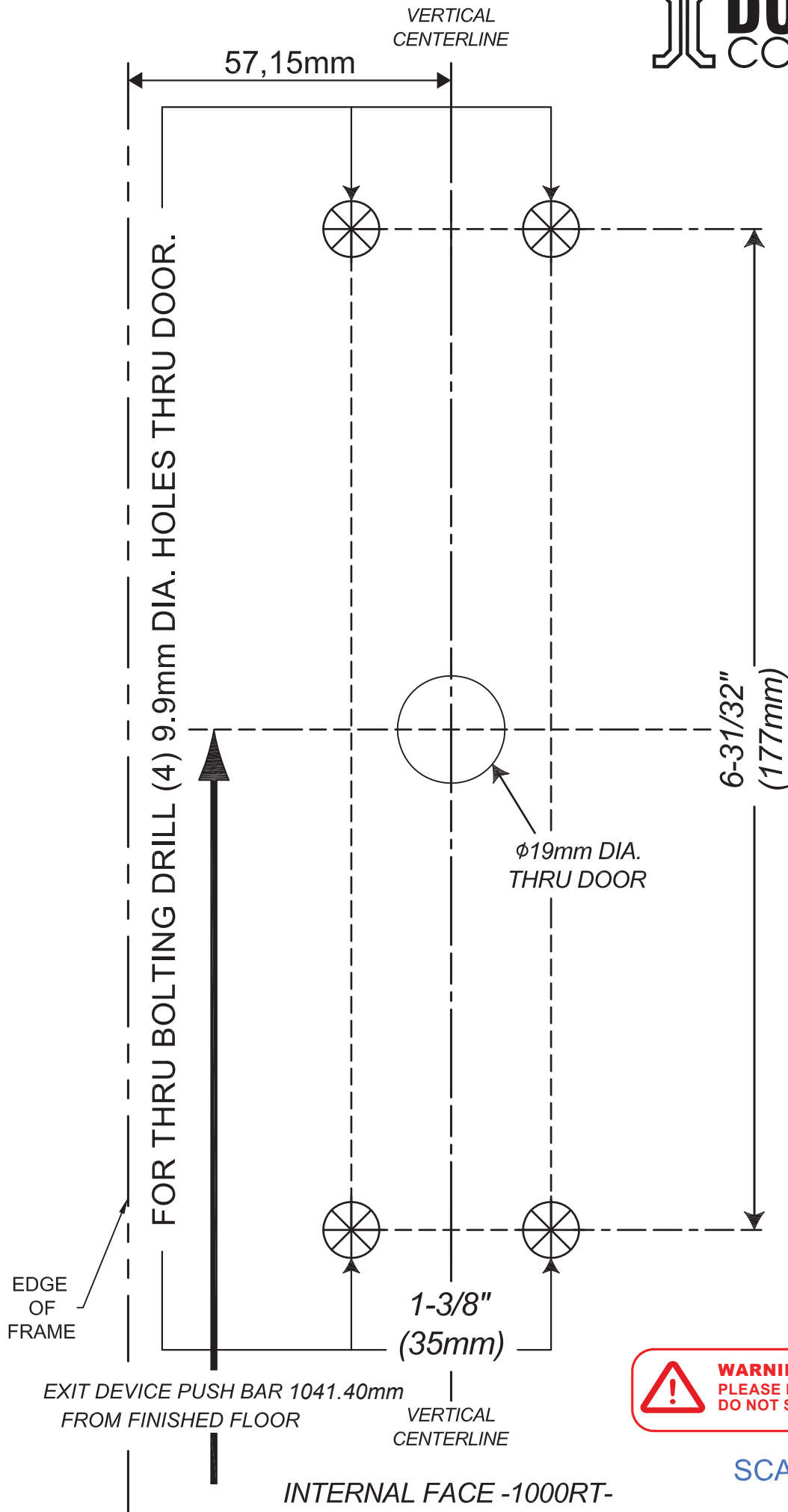


3. Done



DT011 , DT011S , DT011P , DT011D

TEMPLATE OF 1000RT USING DT011 SERIES LEVER TRIM



SINGLE WOOD / METAL DOOR W/O MULLION

**WARNING:**  
PLEASE PRINT AT ACTUAL SIZE,  
DO NOT SCALE TO FIT.

SCALE 1:1

# INSTALLATION INSTRUCTION & TEMPLATE FOR 1000RT (ACTIVE LEAF) & 1200SVR (INACTIVE LEAF) WITH SPD159 & DT011

