

# INSTALLATION INSTRUCTIONS

ART#: DML1000 & DML1000AV-SERIES

HEAVY DUTY MORTISE LOCK

**Rose Trim**

SECURED SIDE

SECURE SIDE

**Escutcheon Trim**

SECURED SIDE

SECURE SIDE

Function	Installation Steps
1005,1005AV 1007,1007AV	1,2,3,4,5,6,7,8,10,14,15
1004,1004AV 1013,1013AV 1015, 1020,1020AV 1021	1,2,3,4,5,6,7,8,9,10,14,15
1001	1,2,3,4,5,6,7,8,14,15
1017	1,2,9,10,14
1018	1,2,10,14
1019, 1022,1022AV	1,2,3,4,5,6,7,8,9,13,14,15
1009,1014 1030	1,2,3,4,5,6,7,8,10,11,14,15
1016	1,2,10,11,14
1029	1,2,10,12,14
1005X	1,3,4,5,6,7,8,15A

# INSTALLATION INSTRUCTIONS

ART#: DML1000 & DML1000AV-SERIES

HEAVY DUTY MORTISE LOCK

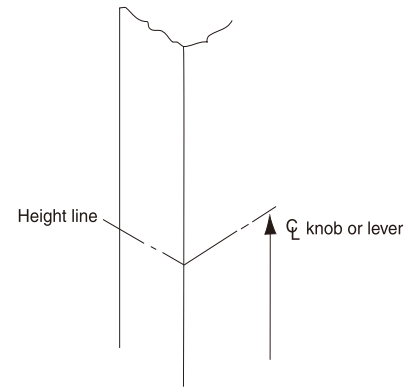


## Door and Jamb Preparation

1

### A. Mark lockset CENTERLINE.

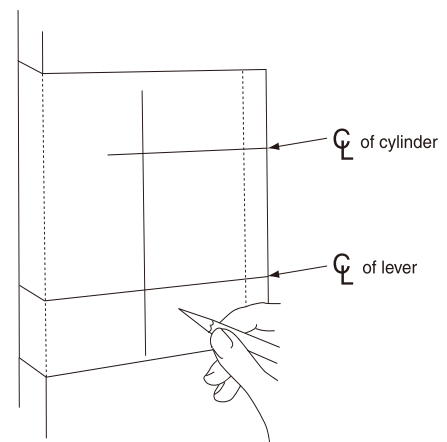
- Measure desired height from finished floor.
  - Mark centerline on both faces and edge of door.
- NOTE:** If mortise for strike has already been made, measure  $2\frac{3}{32}$ " down from center of strike to locate centerline of knob or lever.



**CAUTION:** The outside and inside of door may require different preparation. Use proper template for Outside (exterior or corridor) and Inside of door.

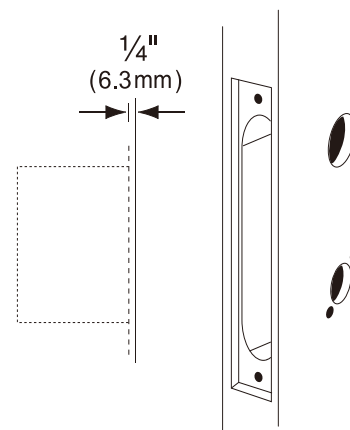
### B. Mark TRIM DRILL POINTS.

- Align centerline of door template with centerline marked on door edge.
- Based on the function of the lock, mark position of drill points.



### C. Mortise DOOR EDGE—for wood doors.

- Align template with centerline of door edge.
- Mark and drill two (2)  $1\frac{1}{32}$ " diameter holes,  $4\frac{9}{16}$ " deep.
- Remove remaining wood until the mortise is  $1\frac{1}{32}$ " wide, by  $6\frac{5}{8}$ " high, by  $4\frac{9}{16}$ " deep.
- Mark and drill the standard recess is  $1\frac{1}{4}$ " x  $8\frac{1}{32}$ " x  $\frac{1}{4}$ ".



# INSTALLATION INSTRUCTIONS

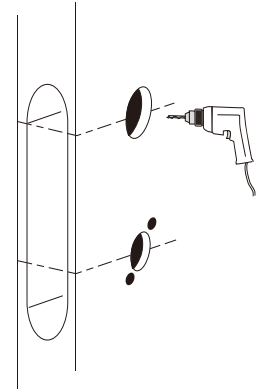
ART#: DML1000 & DML1000AV-SERIES

HEAVY DUTY MORTISE LOCK



## D. Drill TRIM HOLES.

**NOTE:** To prevent splintering or damaging doors, drill through-holes halfway from each side of door.

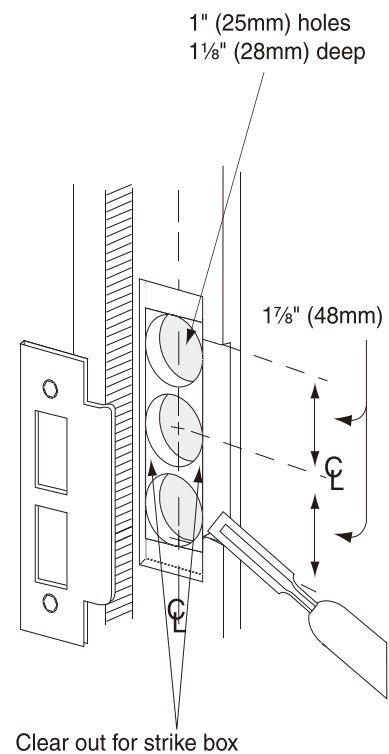


## E. Install STRIKE.

- Align centerline of strike template with the centerline marked on doorjamb. (Be sure to match centerline on both strike and lock trim templates.)
- Bore 1" diameter holes into doorjamb, 1 1/8" deep.
- Recess 5/32" for a flush fit of the strike box.

**NOTE:** Additional recess is required when using strike reinforcement.

- Using a Philips screwdriver and two (2) strike mounting screws, install strike into doorjamb.



# INSTALLATION INSTRUCTIONS

ART#: DML1000 & DML1000AV-SERIES

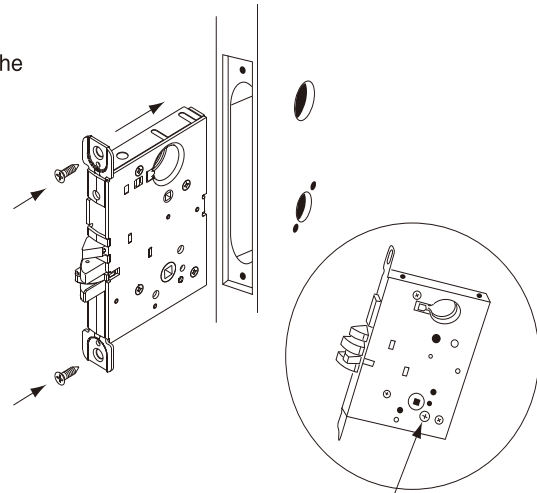
HEAVY DUTY MORTISE LOCK



2

## Install LOCK CASE.

**NOTE:** Install with the lock handing screw in the secured side and leave the mounting screws slightly loose to allow for adjustment.

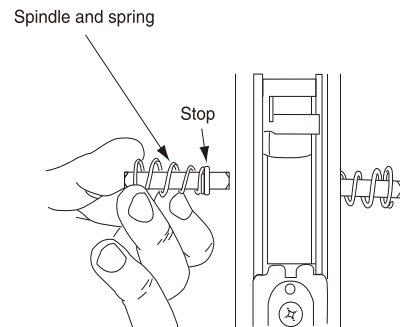


Lock handing screw  
Always from egress side of the lock

3

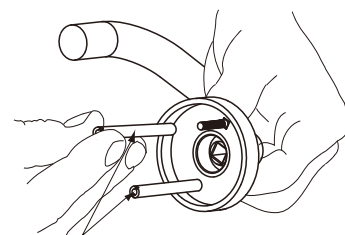
## Install SPINDLES and SPRINGS.

- Slide a spring over each spindle.
- Insert spindles and springs so that the spindle stops are in contact with the lock case.



4

Thread MOUNTING POSTS onto outside rose or escutcheon.



Slot on mounting posts facing this side

# INSTALLATION INSTRUCTIONS

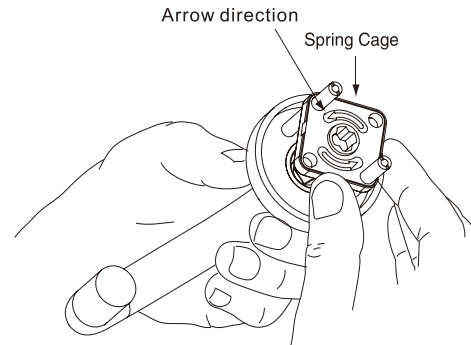
ART#: DML1000 & DML1000AV-SERIES

HEAVY DUTY MORTISE LOCK

5

## Install OUTSIDE SPRING CAGE or SPACER.

Spring cage arrows should point in direction of lever rotation.

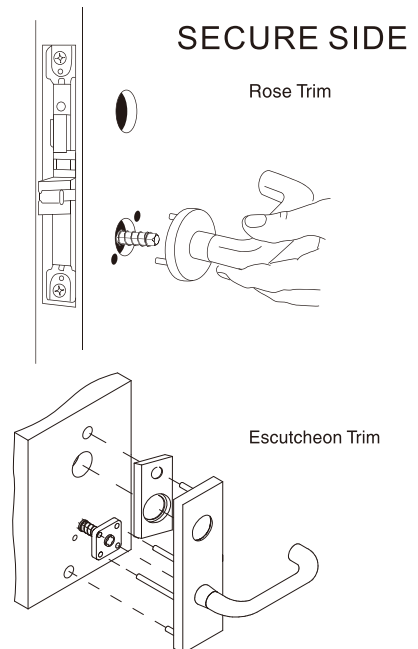


6

**IMPORTANT:** Install a cylinder BEFORE installing the escutcheon trim in secure side

## Install OUTSIDE ROSE or ESCUTCHEON TRIM

Install with lever in working position.



7

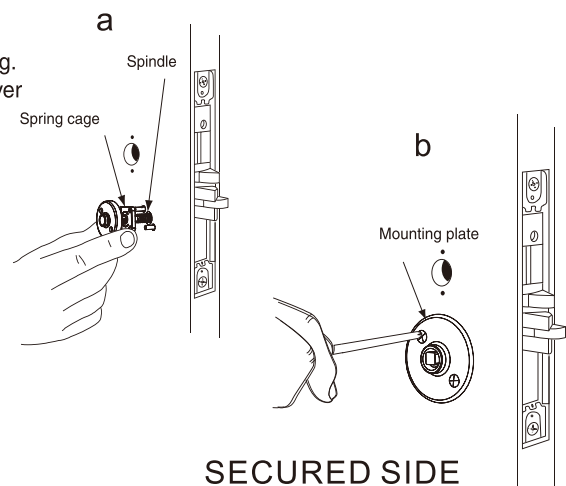
## Install SPRING CAGE (spacer) and MOUNTING PLATE.

a. Slide mounting plate and spring cage over the inside spindle and spring.

**NOTE:** Make sure the arrows on the spring cage point in the direction of lever rotation.

b. Insert and tighten two (2) mounting screws.

SECURED SIDE



# INSTALLATION INSTRUCTIONS

ART#: DML1000 & DML1000AV-SERIES

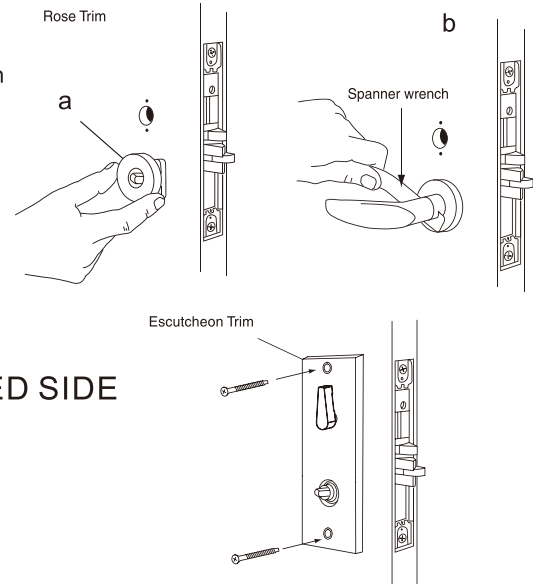
HEAVY DUTY MORTISE LOCK

8

## Install INSIDE ROSE or ESCUTCHEON trim.

**NOTE:** For escutcheon with thumbturn, retract deadbolt and install thumbturn in the vertical position.

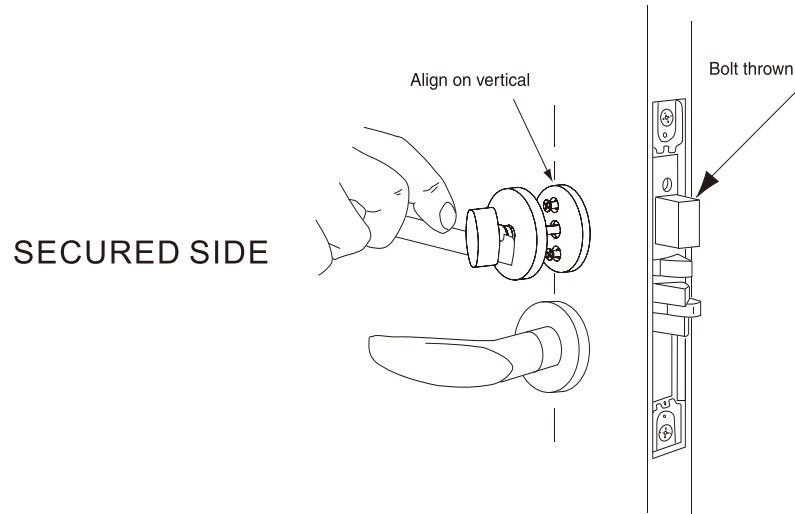
- Place rose or escutcheon over mounting plate.
- Install lever and tighten bushing with spanner wrench.



9

## Install THUMBTURN—for rose trim only.

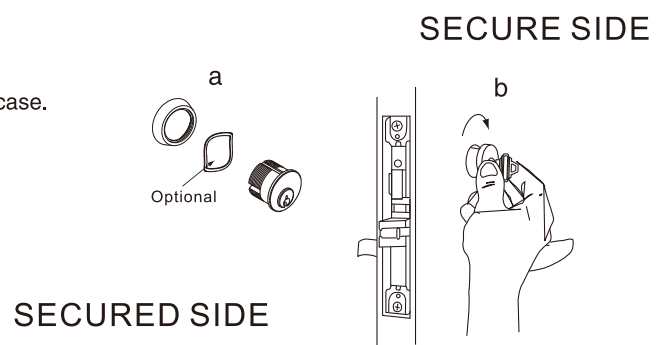
- Insert the thumbturn in the vertical position.
- Throw deadbolt.
- Install two (2) thumbturn mounting screws.



10

## Install OUTSIDE FULL FACE CYLINDER.

- Assemble cylinder.
- Using a partially inserted key, screw the cylinder into the lock case.



# INSTALLATION INSTRUCTIONS

ART#: DML1000 & DML1000AV-SERIES

HEAVY DUTY MORTISE LOCK

11

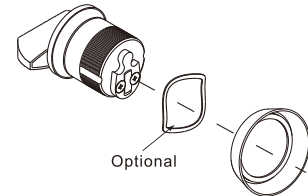
Install **INSIDE CYLINDER**—follow step 10

12

Install **CYLINDER TURN**.

- a. Assemble cylinder turn.
- b. Screw cylinder turn into the lock case.

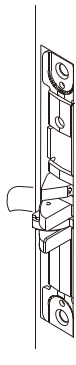
SECURED SIDE



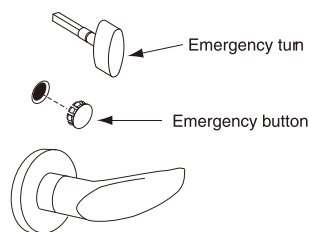
13

Snap **EMERGENCY BUTTON** into place.

SECURED SIDE

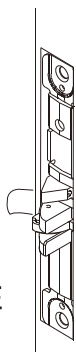


SECURE SIDE

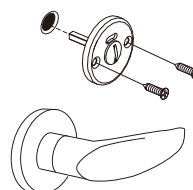


OR  
Install **Privacy Coin Turn**  
with Red/Green Indicator

SECURED SIDE



SECURE SIDE



# INSTALLATION INSTRUCTIONS

ART#: DML1000 & DML1000AV-SERIES

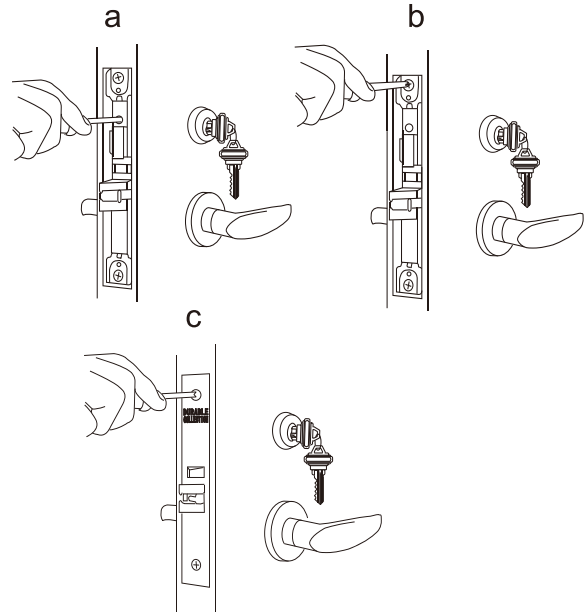
HEAVY DUTY MORTISE LOCK

**DURABLE**  
COLLECTION

14

## Install ARMOR FRONT.

- If needed, tighten the cylinder anchor screw until hand-tight.
- Tighten the two (2) lock case mounting screws.
- Place armor front in position and install two (2) armor front screws.

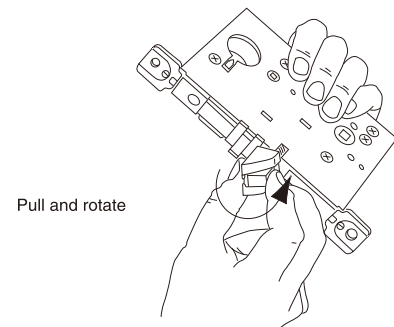


## Change Lock Handing

15

### A. Change LATCH HANDING.

- Pull anti-friction tongue and latchbolt away from lock case.
- Rotate latchbolt 180° degrees.



### B. Change LOCK HANDING SCREW.

- For DML1000 series

Always move lock handing screw to the secured side (inside the room). The lock handing screw must always be in secured side of the room for proper operation function of the lock.

- For DML1000AV series

Always move lock handing screw to the secure side (outside the room). The lock handing screw must always be in secure side of the room for proper operation function of the lock.

