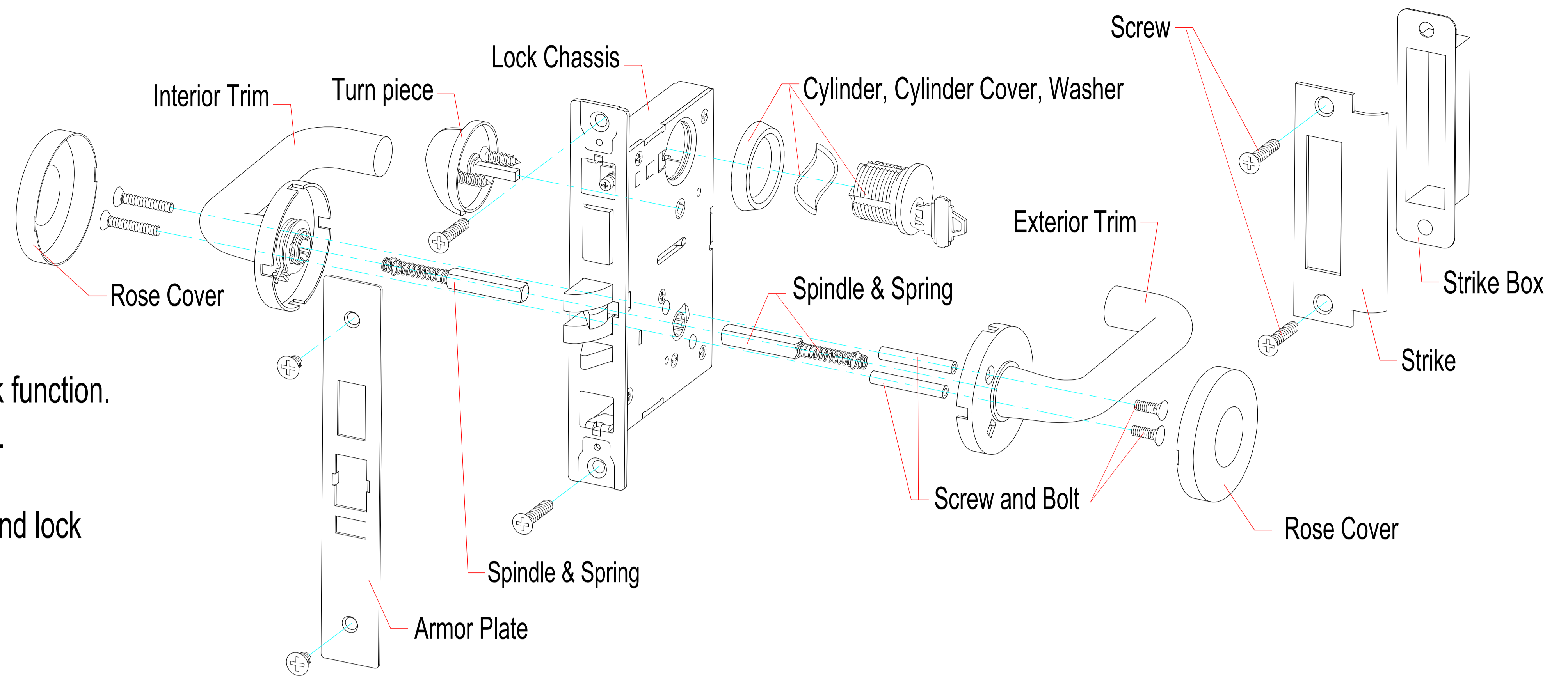


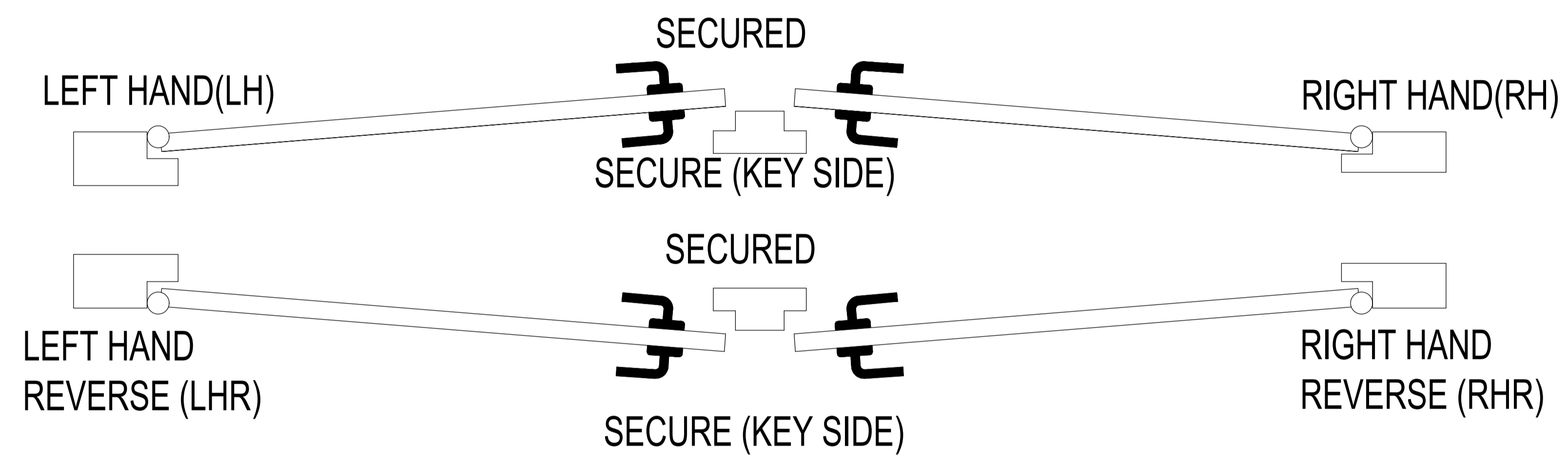
OVERALL EXPLODED VIEW



Important:

1. Door prep may vary dependant on lock function. Refer to installation template for details.
2. Prior to installation ensure both latch and lock handing are correct. Refer to point 1, 2 & 3 for details.

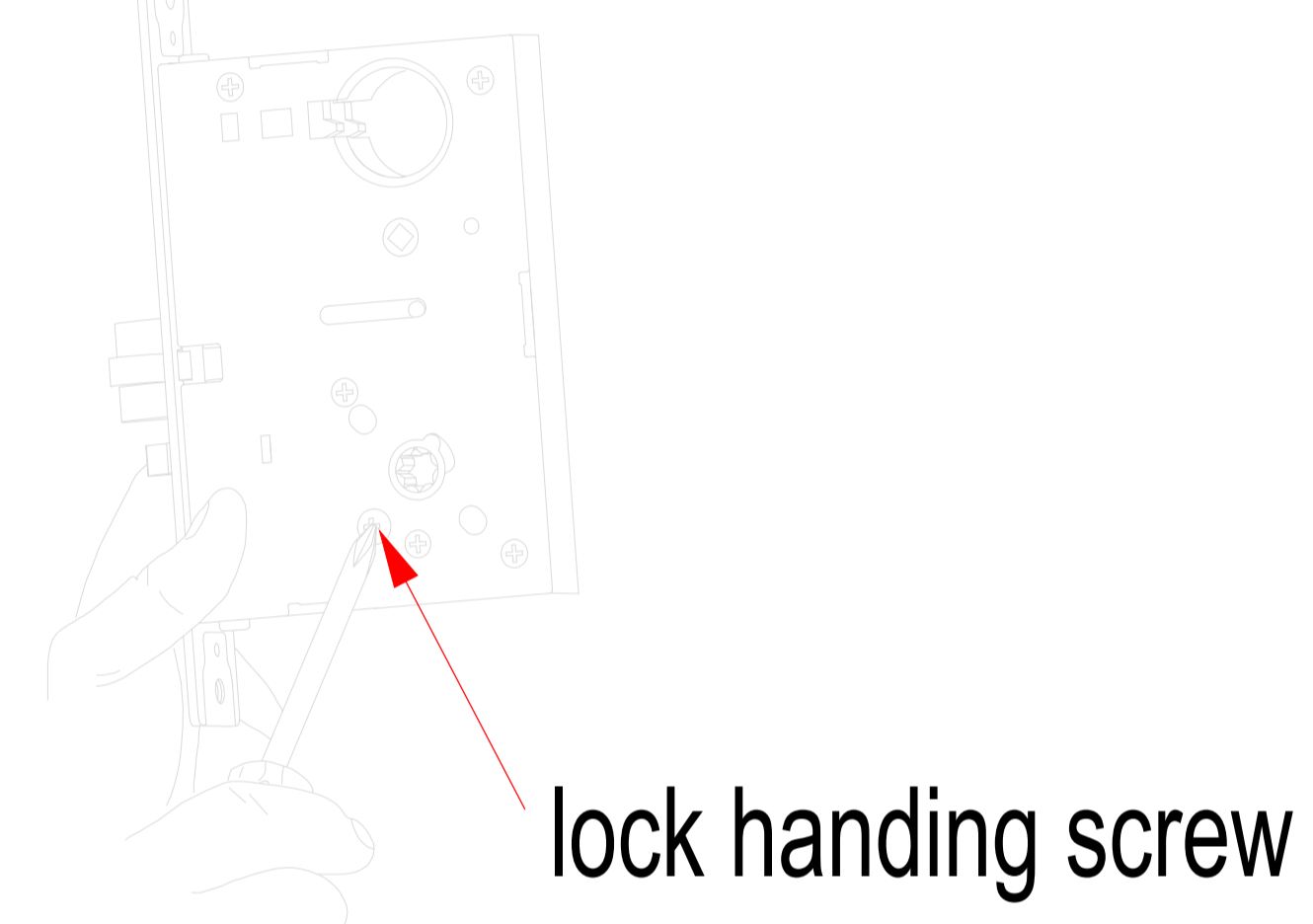
1. HANDING



2. CHANGE LOCK HANDING

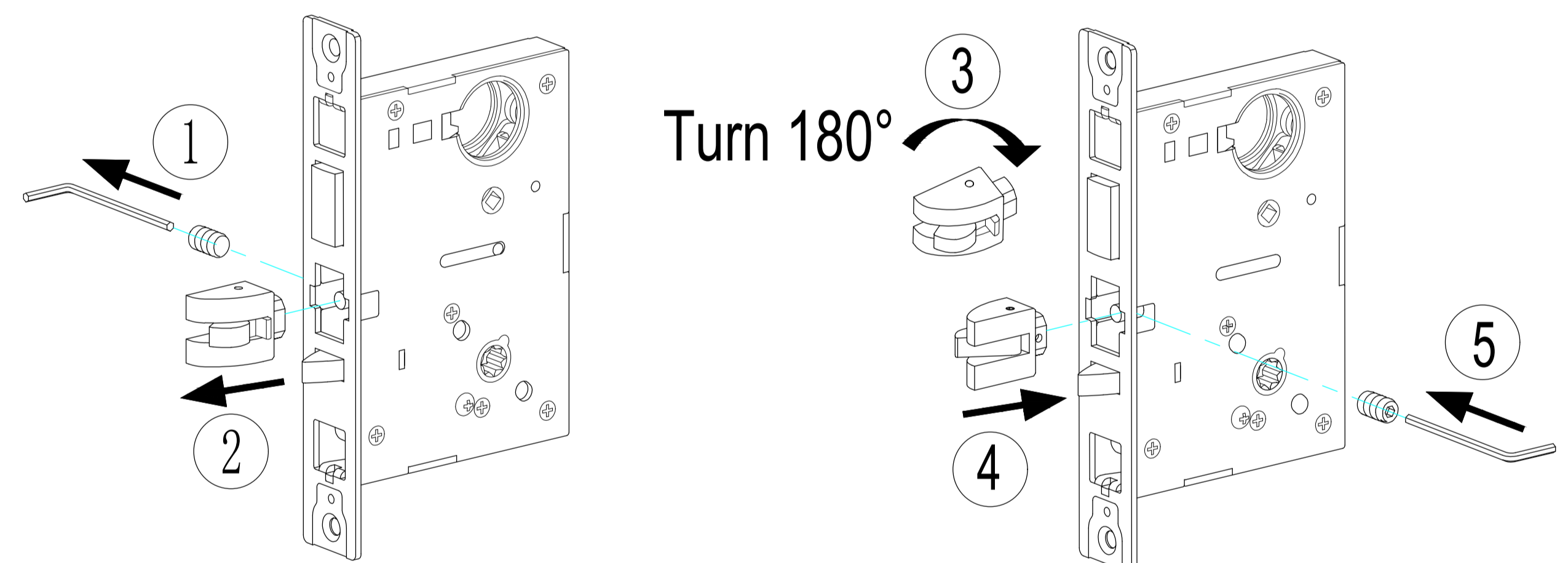
1. Remove the lock handing screw from one side of the lock chassis and install it on the opposite side.

Note: The lock handing screw must always be in the SECURED side of the ROOM.



3. CHANGE LATCH BOLT HANDING

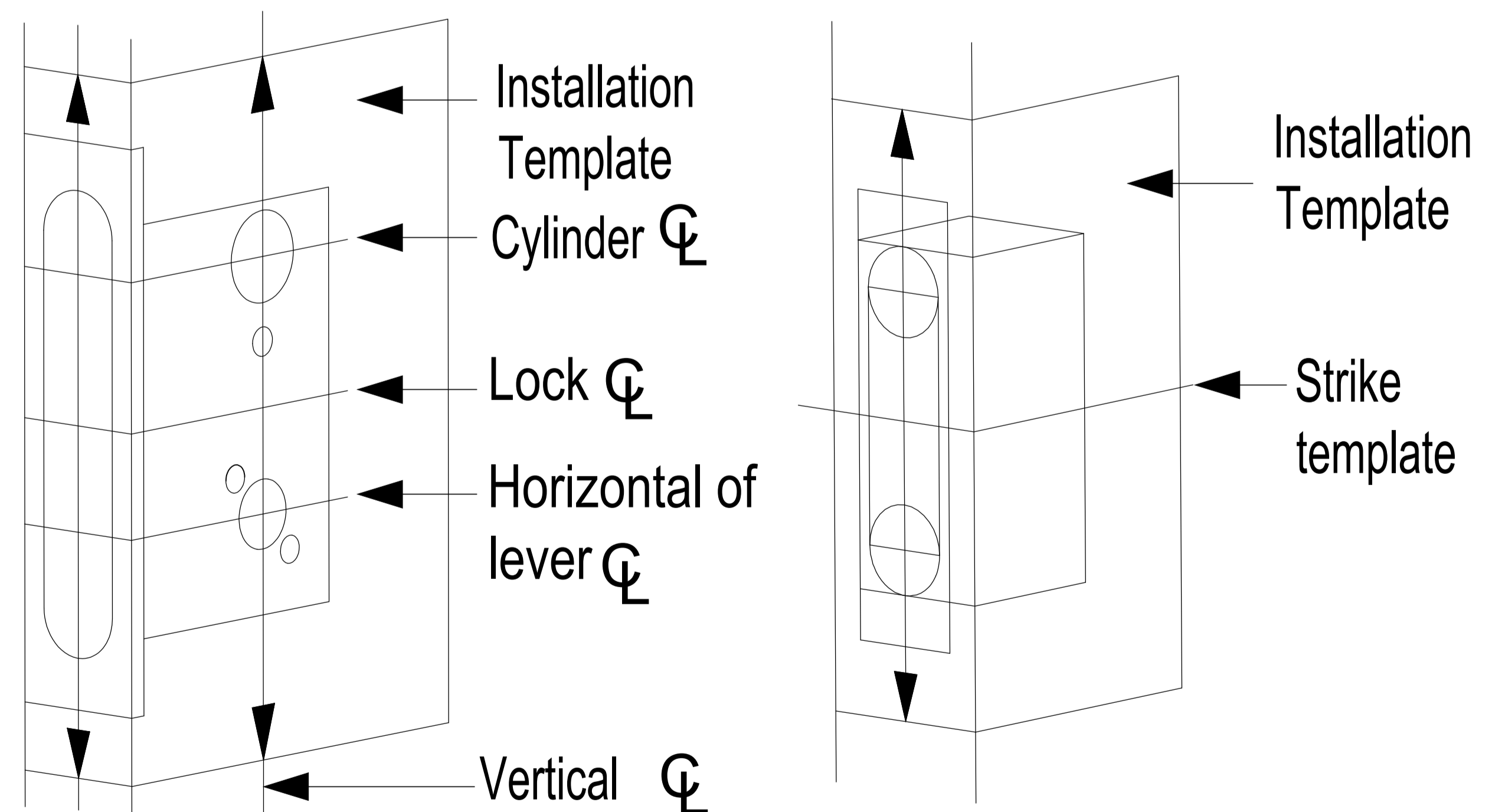
1. Remove the latch bolt screw with provided allen key.
2. Remove the latch.
3. Rotate the latch 180 degrees & reinsert.
4. Reinstall the latch bolt set screw and tighten securely.



4. DOOR AND FRAME PREPARATION

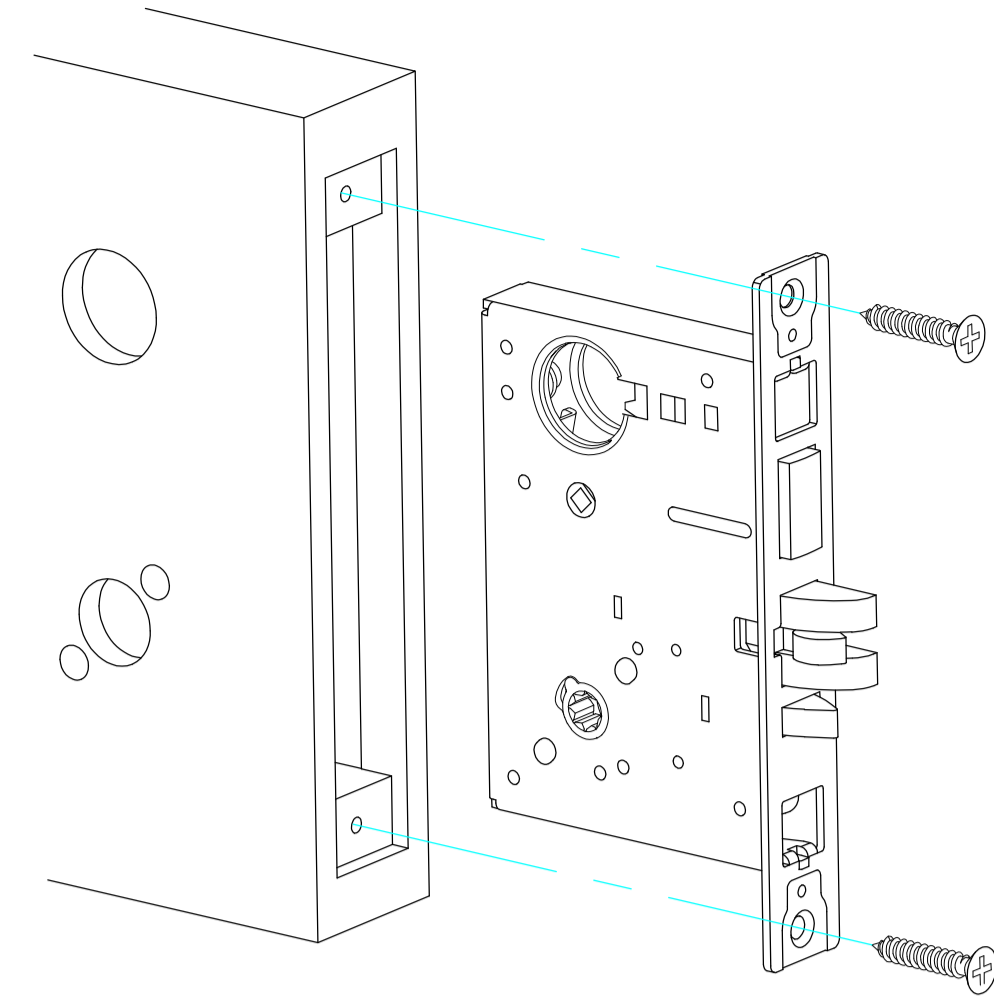
Note: If the strike already exists in the door frame, position the lock using the strike as reference. (see strike position on template)

1. Determine the SECURED AND SECURE of the room. Draw a horizontal line on both sides and edge of the door at the desired height of the lever or knob above the finished floor.
2. Draw a vertical center line on the door edge.
3. Draw a vertical line on each side of the door at the proper backset to align the template.
4. Position the template on the edge and side of the door. Important: Take care to only mark the door face & edge as per required lock function. Note: Reference door preparation chart for details.
5. Remove the template, place the lock face against the door edge. Trace the cut line of the face plate as a guide for the faceplate routing.
6. Mortise the door frame for the lock body and faceplate as per the instruction on the template.
7. Refer to the template to determine the strike location on the jamb, using the strike as a template, mark and chisel the strike recess. Drill screw holes and fasten.



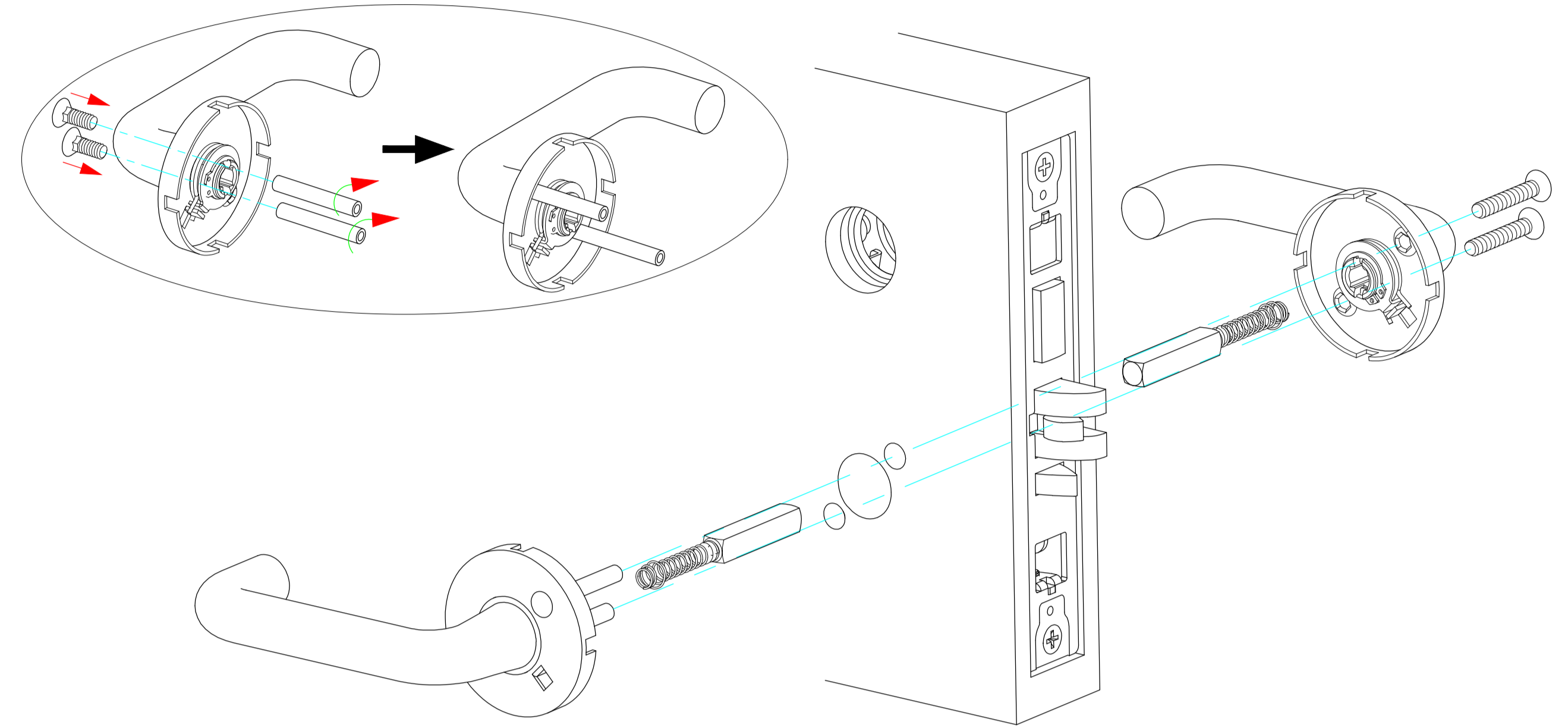
5. INSTALL CHASSIS

1. Place the chassis into the door edge .
2. Secure with two combo screws.



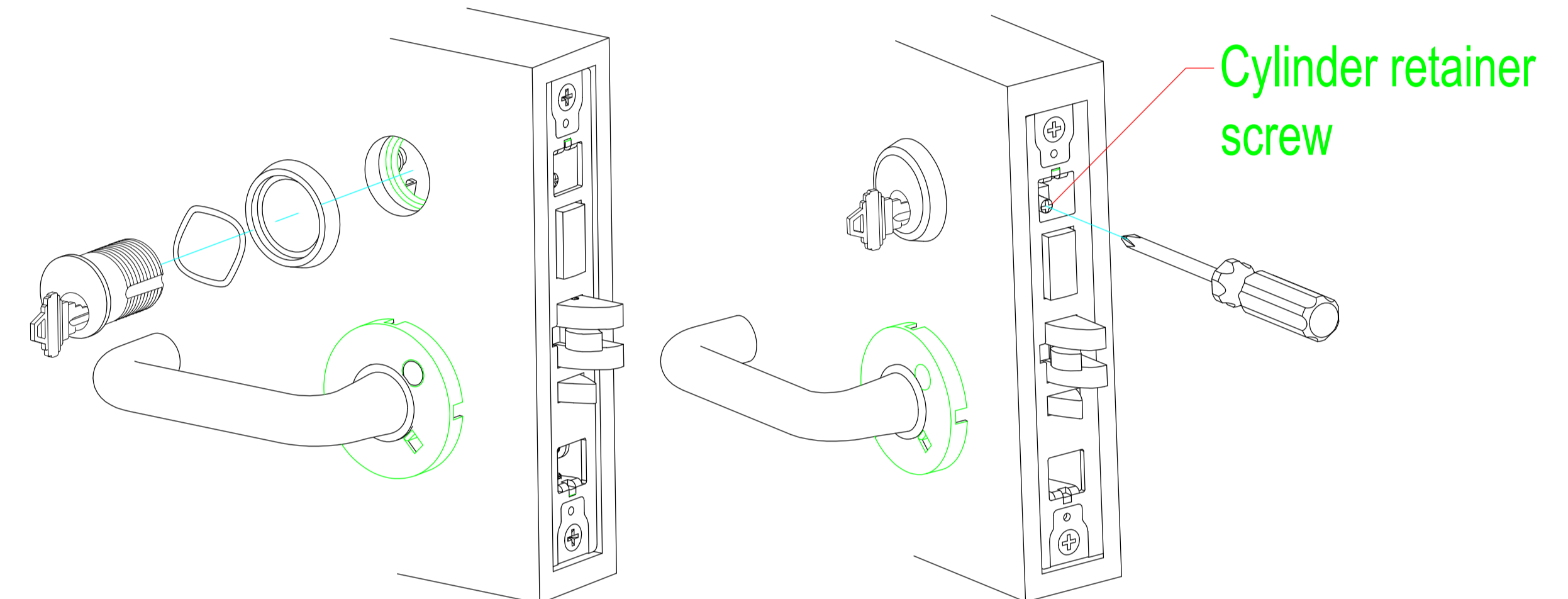
6. INSTALL TRIM

1. Fix the screw with the poles on the exterior chassis.
2. Place exterior trim with the thru-posts through the door and lock chassis and make sure the lever spindle engages properly with the lock.
3. Position the interior trim and make sure the lever spindle engages properly with the lock.
4. Insert the mounting screws through the interior trim and into the thru-posts of the exterior trim and fasten.
5. Slide the rose cover over interior and exterior trim, align notches of cover with rose and snap on.



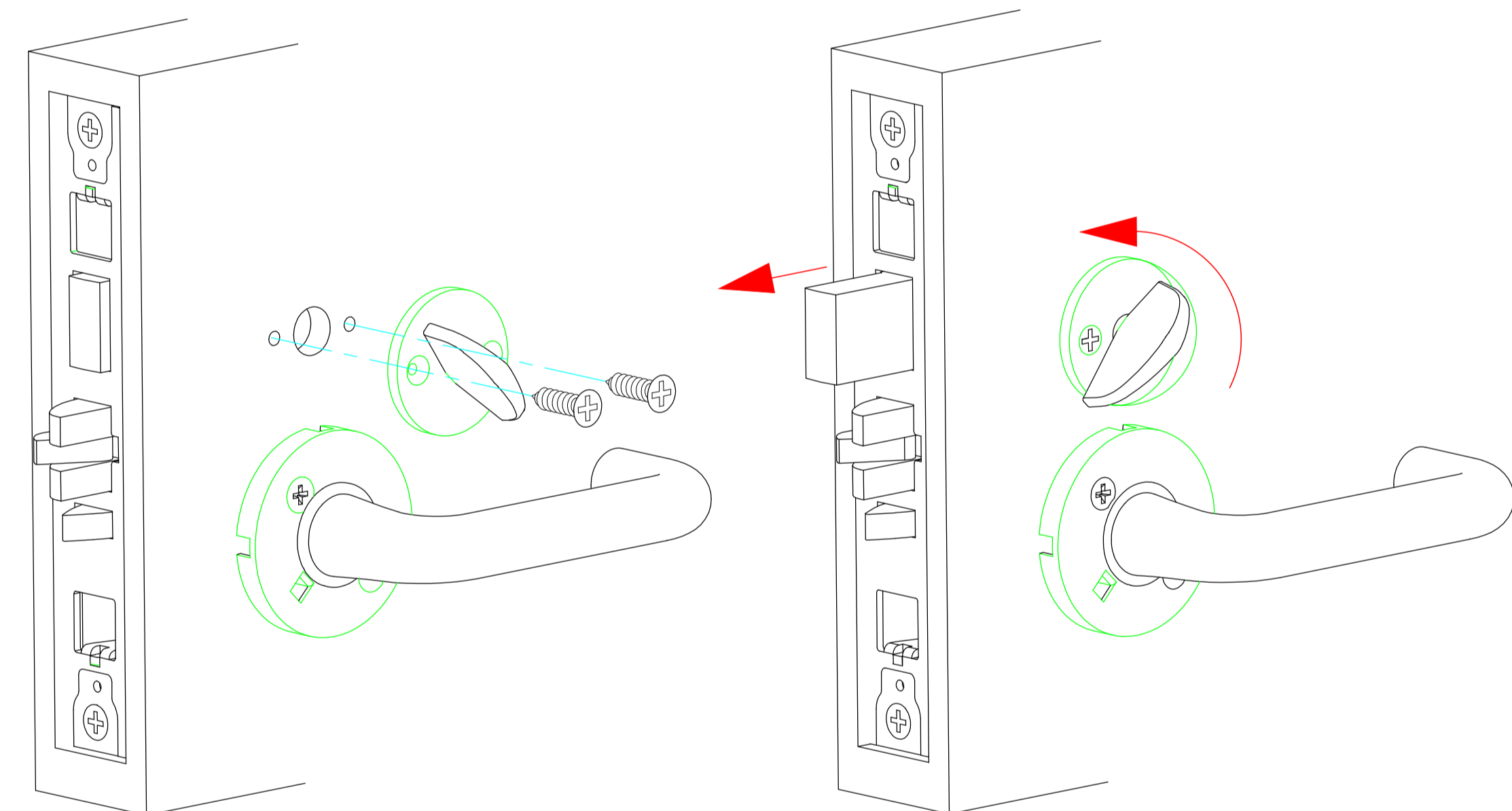
7. INSTALL CYLINDER

1. Slide the wave washer and cylinder rose over the cylinder.
2. Thread the cylinder into the face of the door, oriented with the plug at bottom center.
3. Tighten the cylinder in place using the cylinder retainer screw.



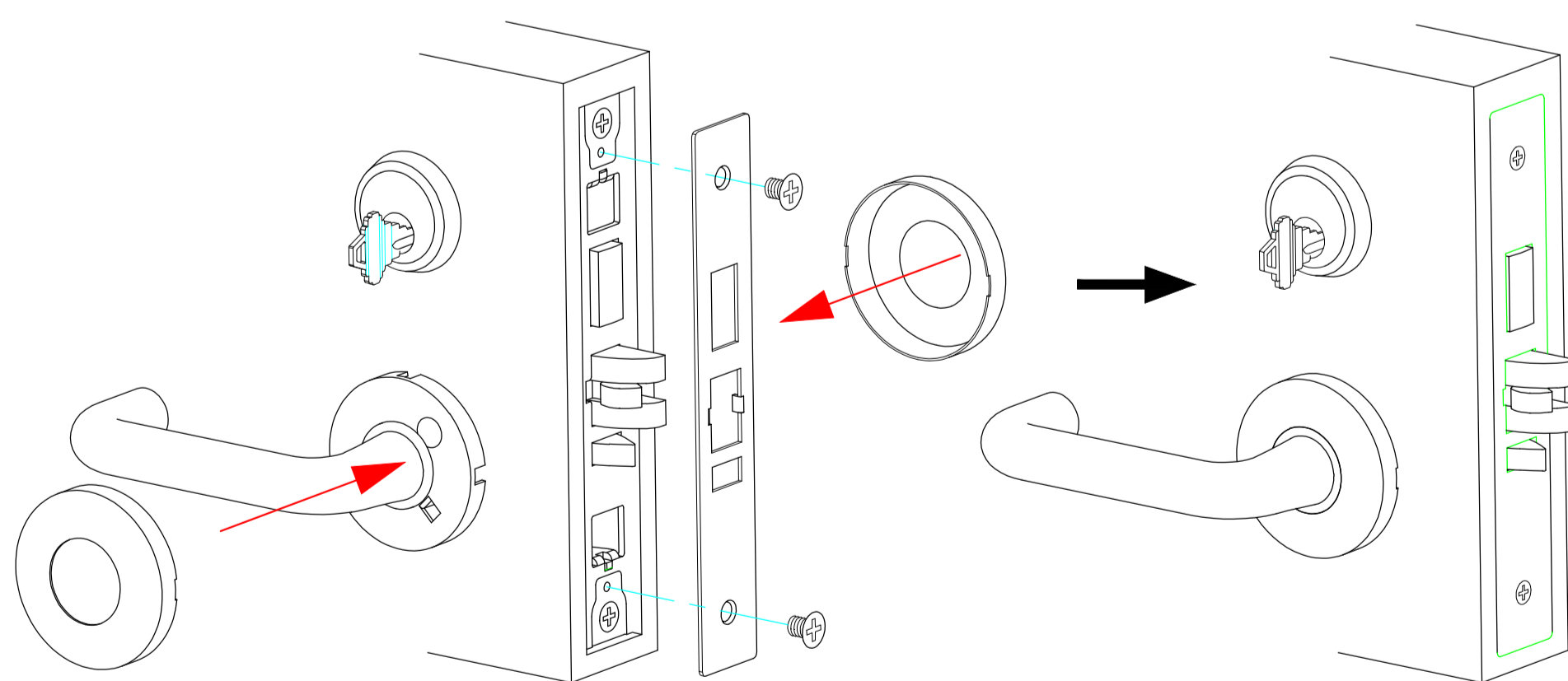
8. INSTALL THUMBTURN

1. Insert turn piece, make sure spindle engages lock chassis properly, then fasten with two screws.



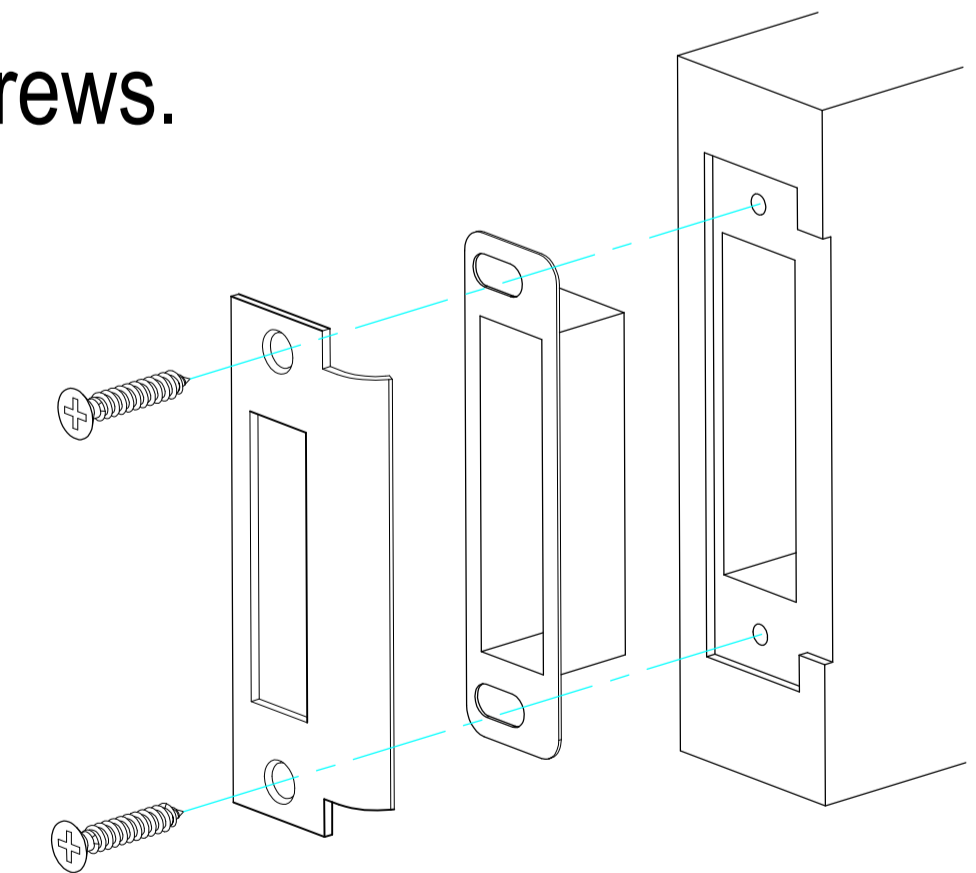
9. INSTALL ARMOR PLATE

1. Secure the armor plate using two screws.



10. INSTALL STRIKE

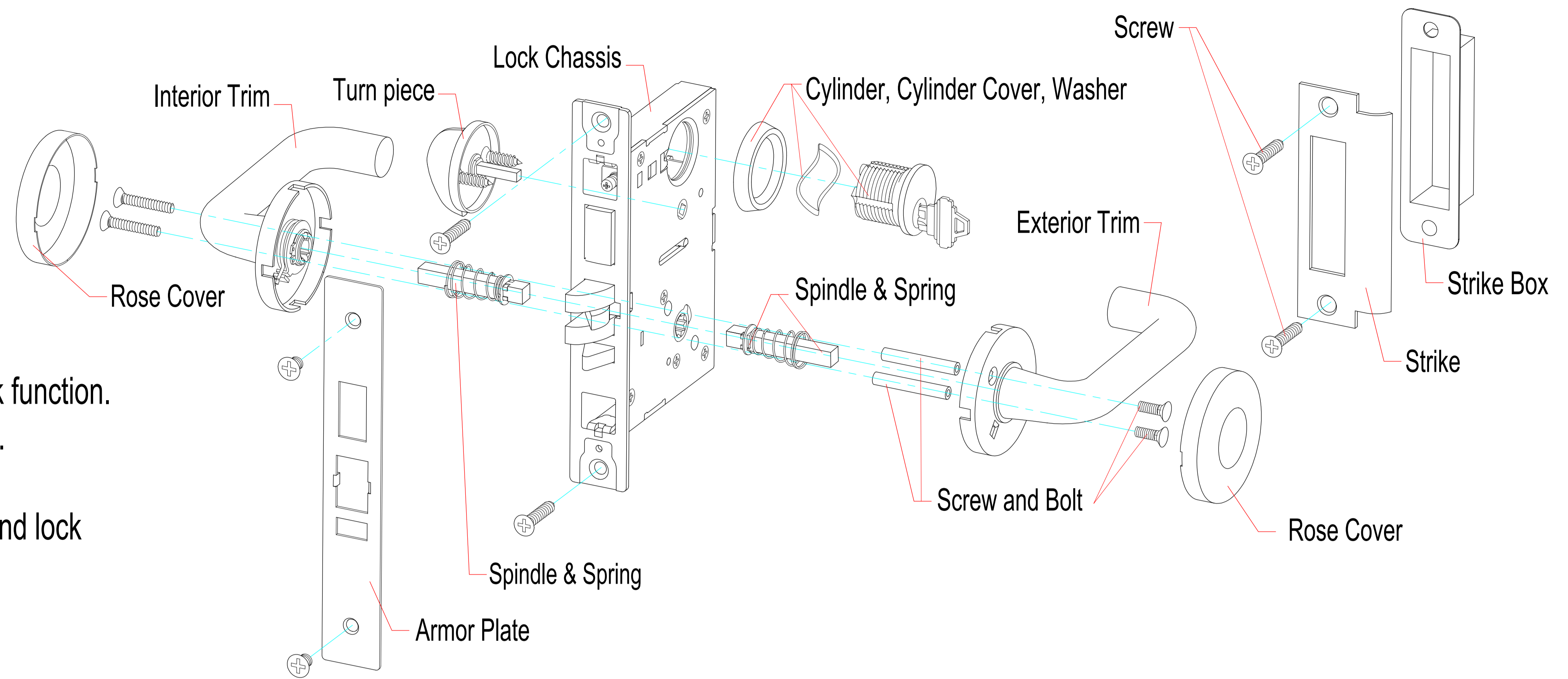
1. Insert the dust box then strike.
2. Secure each with two combo-screws.



IMPORTANT

1. Be sure spindles have engaged lock chassis.
2. Test the proper lock operation with turn piece, lever and key.
3. Tighten all screws, including cylinder set screw.
4. Re-check lock for proper function before closing the door.
5. ALWAYS USE THE RECOMMENDED CYLINDER/S CAM FROM DURABLE COLLECTION LTD.

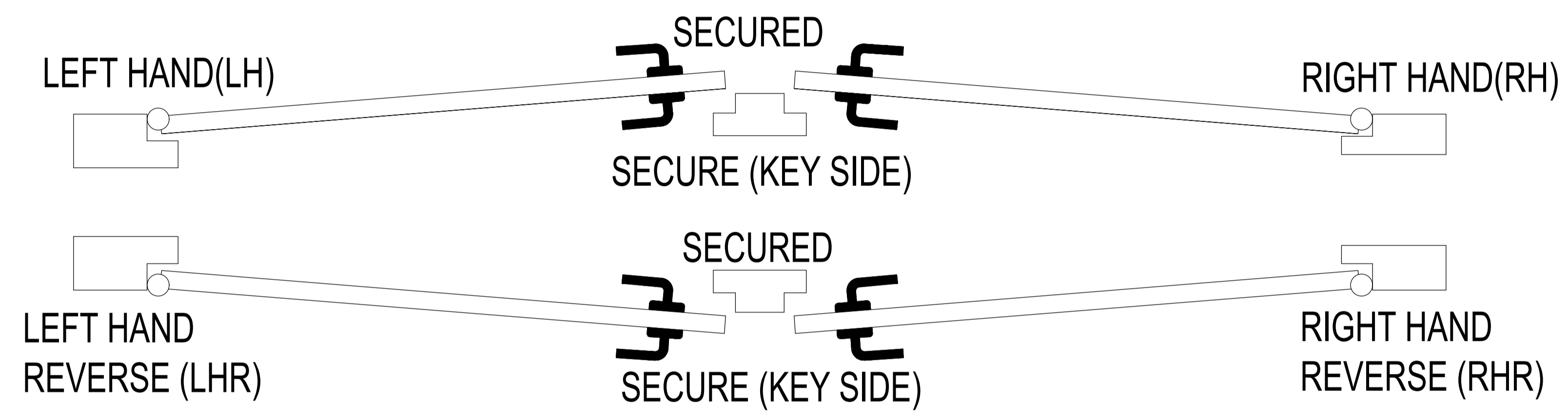
OVERALL EXPLODED VIEW



Important:

1. Door prep may vary dependant on lock function. Refer to installation template for details.
2. Prior to installation ensure both latch and lock handing are correct. Refer to point 1, 2 & 3 for details.

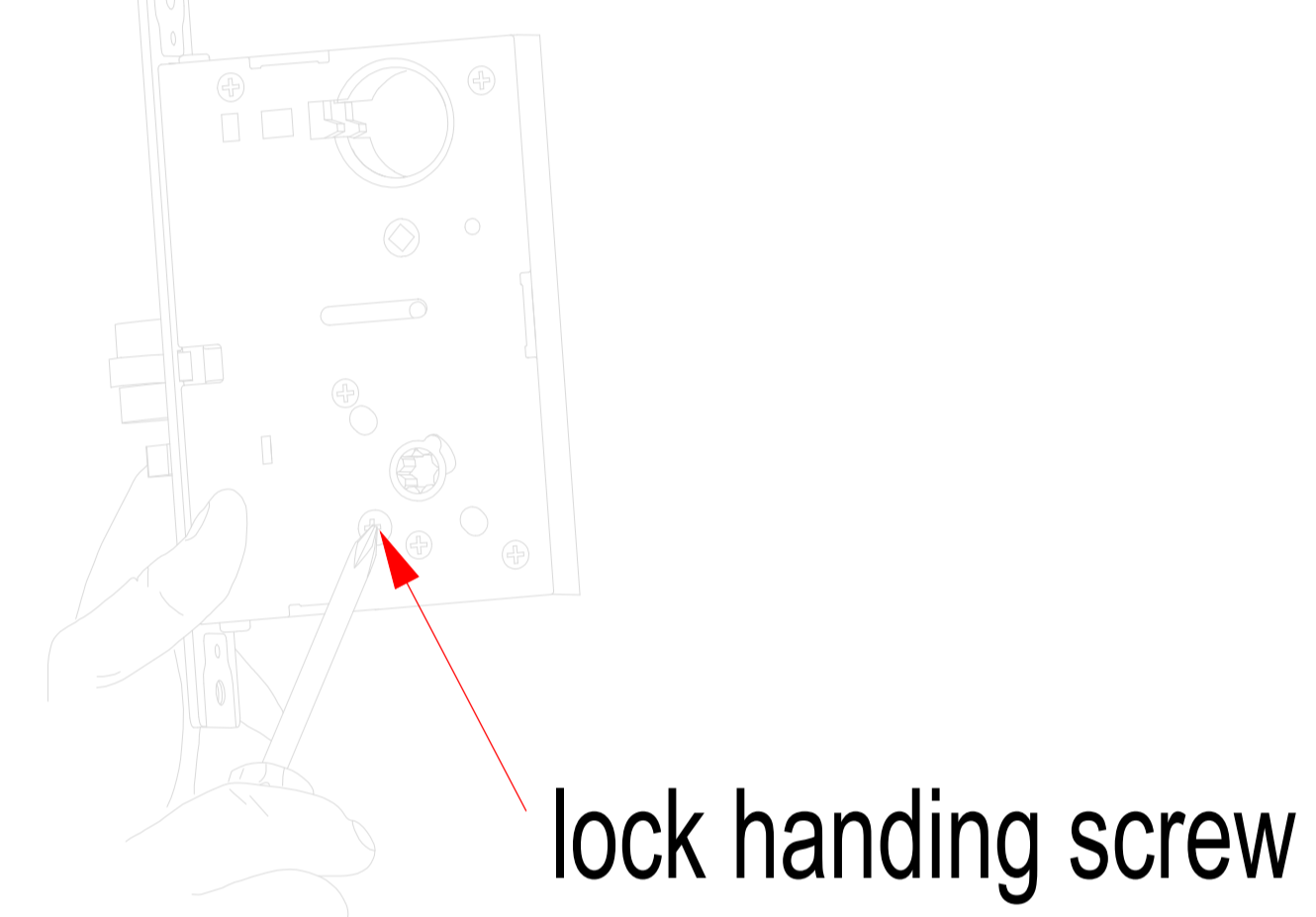
1. HANDING



2. CHANGE LOCK HANDING

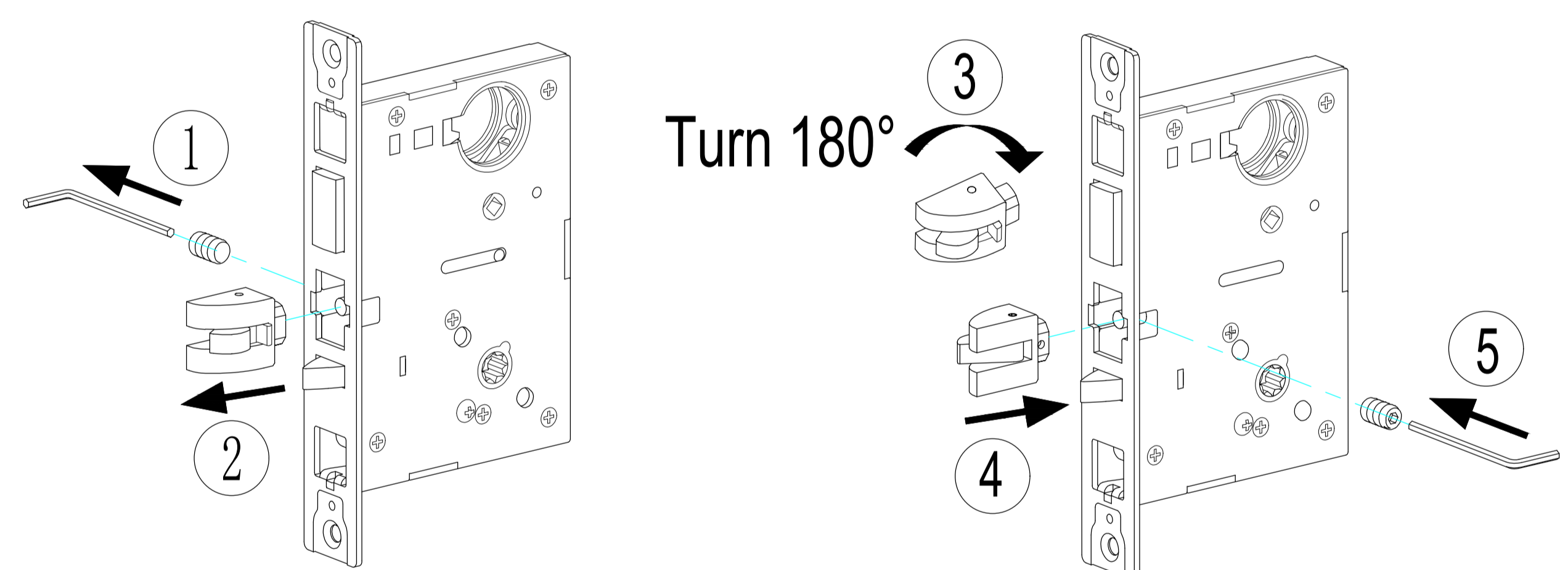
1. Remove the lock handing screw from one side of the lock chassis and install it on the opposite side.

Note: The lock handing screw must always be in the SECURED side of the ROOM.



3. CHANGE LATCH BOLT HANDING

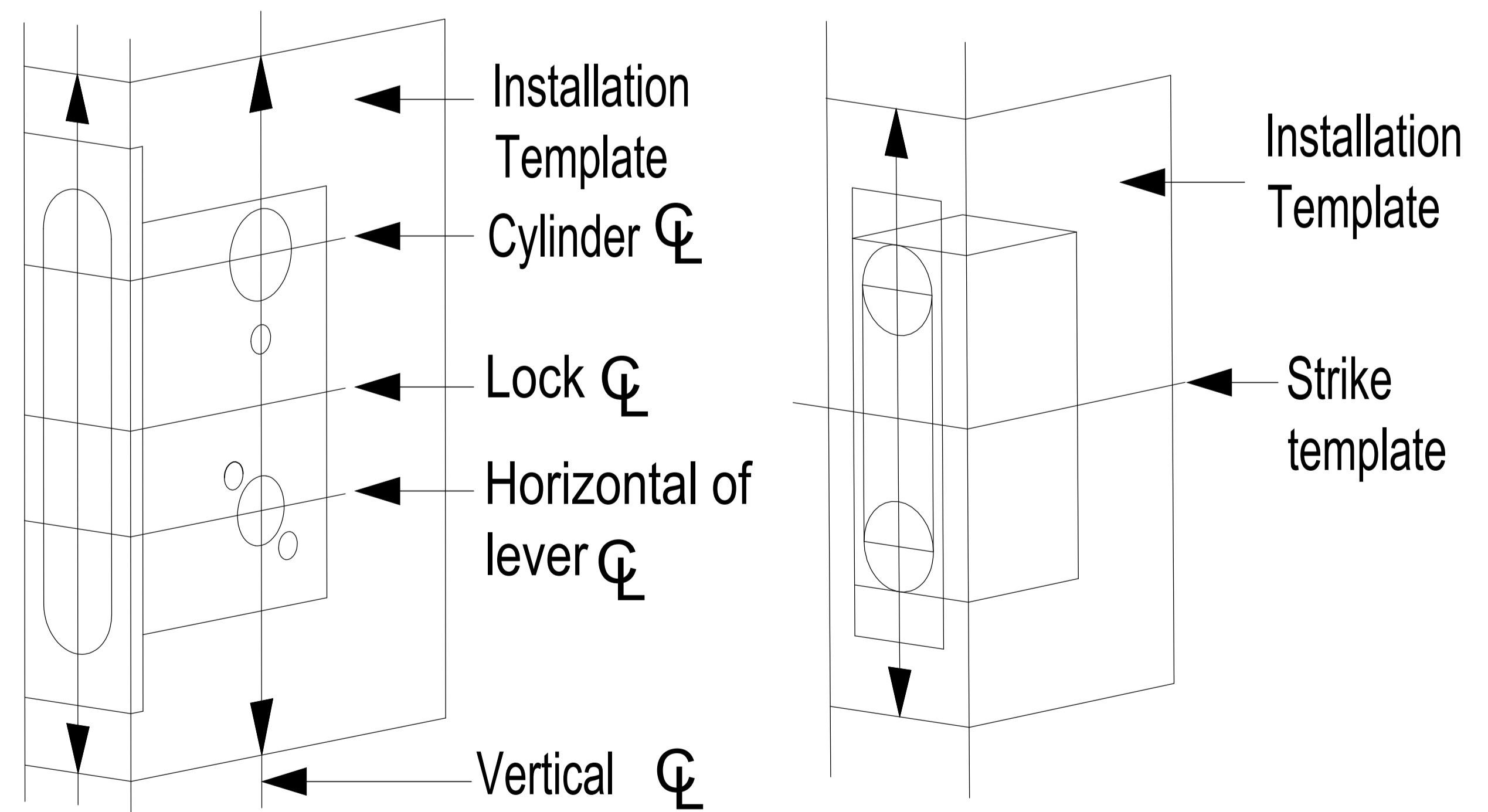
1. Remove the latch bolt screw with provided allen key.
2. Remove the latch.
3. Rotate the latch 180 degrees & reinsert.
4. Reinstall the latch bolt set screw and tighten securely.



4. DOOR AND FRAME PREPARATION

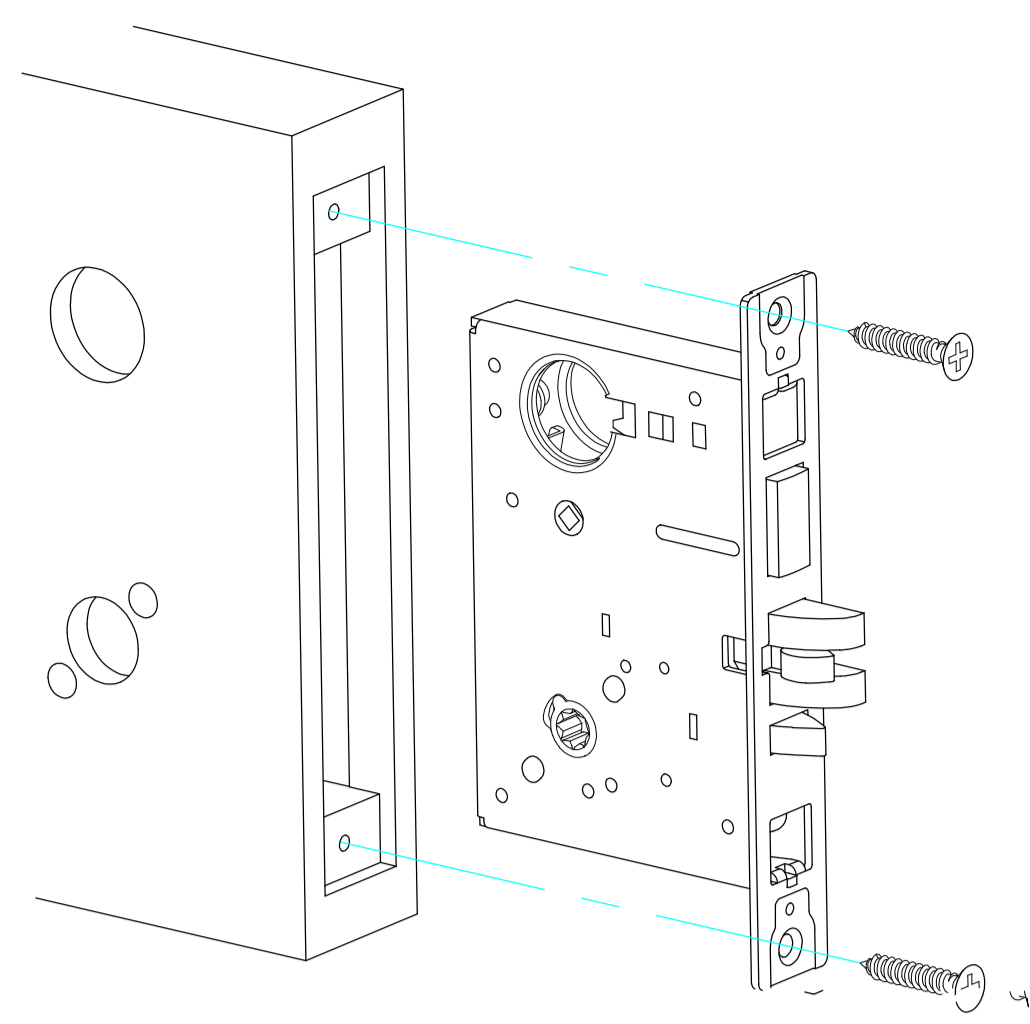
Note: If the strike already exists in the door frame, position the lock using the strike as reference. (see strike position on template)

1. Determine the SECURED & SECURE of the room. Draw a horizontal line on both sides and edge of the door at the desired height of the lever or knob above the finished floor.
2. Draw a vertical center line on the door edge.
3. Draw a vertical line on each side of the door at the proper backset to align the template.
4. Position the template on the edge and side of the door. Important: Take care to only mark the door face & edge as per required lock function. Note: Reference door preparation chart for details.
5. Remove the template, place the lock face against the door edge. Trace the cut line of the face plate as a guide for the faceplate routing.
6. Mortise the door frame for the lock body and faceplate as per the instruction on the template.
7. Refer to the template to determine the strike location on the jamb, using the strike as a template, mark and chisel the strike recess. Drill screw holes and fasten.



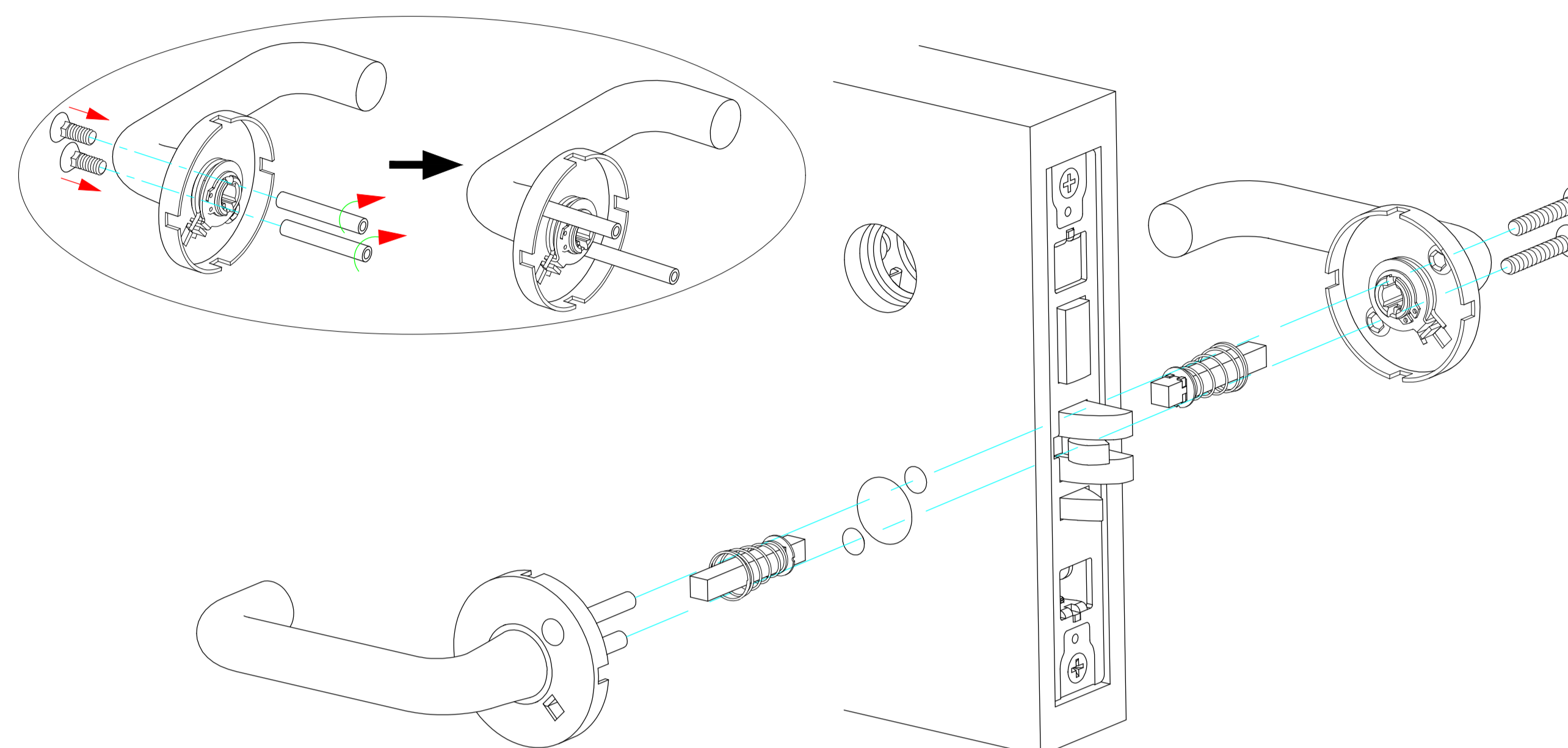
5. INSTALL CHASSIS

1. Place the chassis into the door edge .
2. Secure with two combo screws.



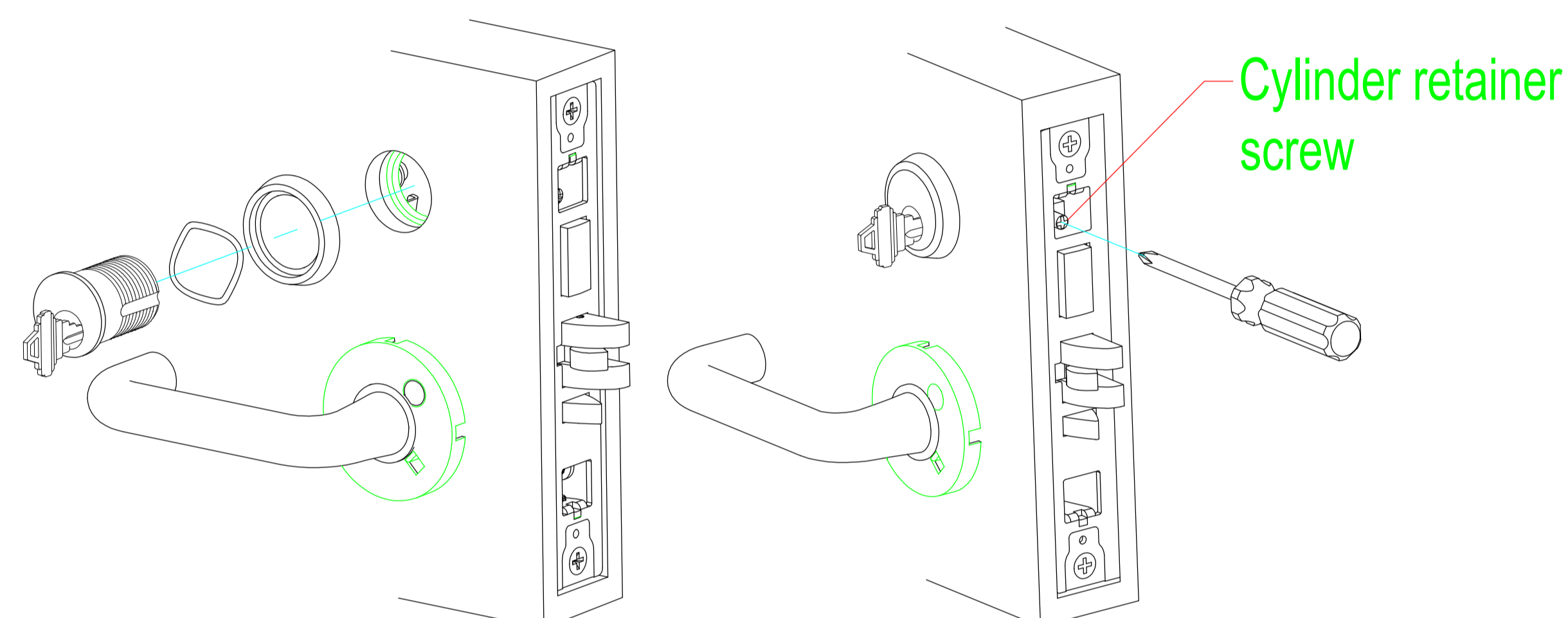
6. INSTALL TRIM

1. Fix the screw with the poles on the exterior chassis.
2. Place exterior trim with the thru-posts through the door and lock chassis and make sure the lever spindle engages properly with the lock.
3. Position the interior trim and make sure the lever spindle engages properly with the lock.
4. Insert the mounting screws through the interior trim and into the thru-posts of the exterior trim and fasten.
5. Slide the rose cover over interior and exterior trim, align notches of cover with rose and snap on.



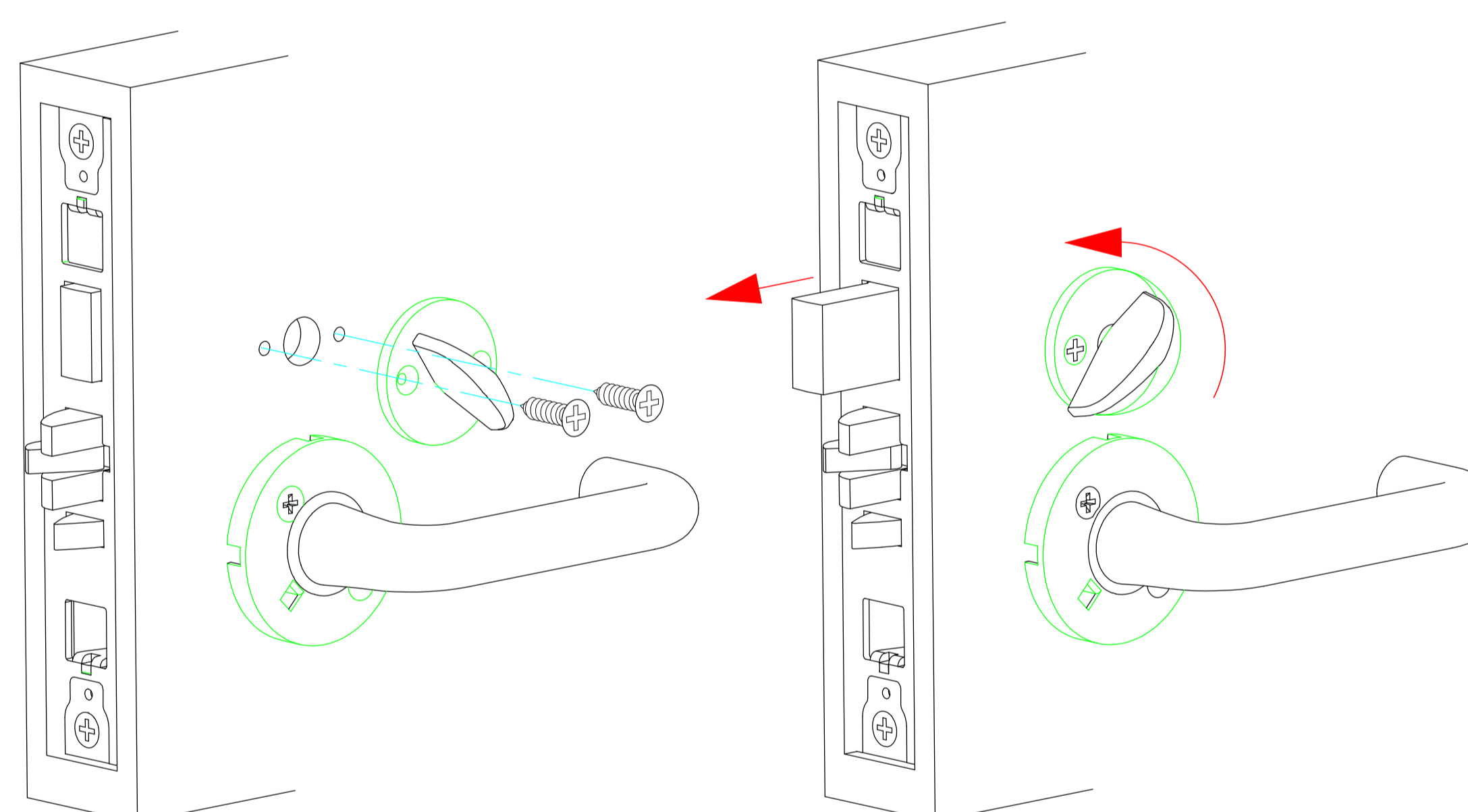
7. INSTALL CYLINDER

1. Slide the wave washer and cylinder rose over the cylinder.
2. Thread the cylinder into the face of the door, oriented with the plug at bottom center.
3. Tighten the cylinder in place using the cylinder retainer screw.



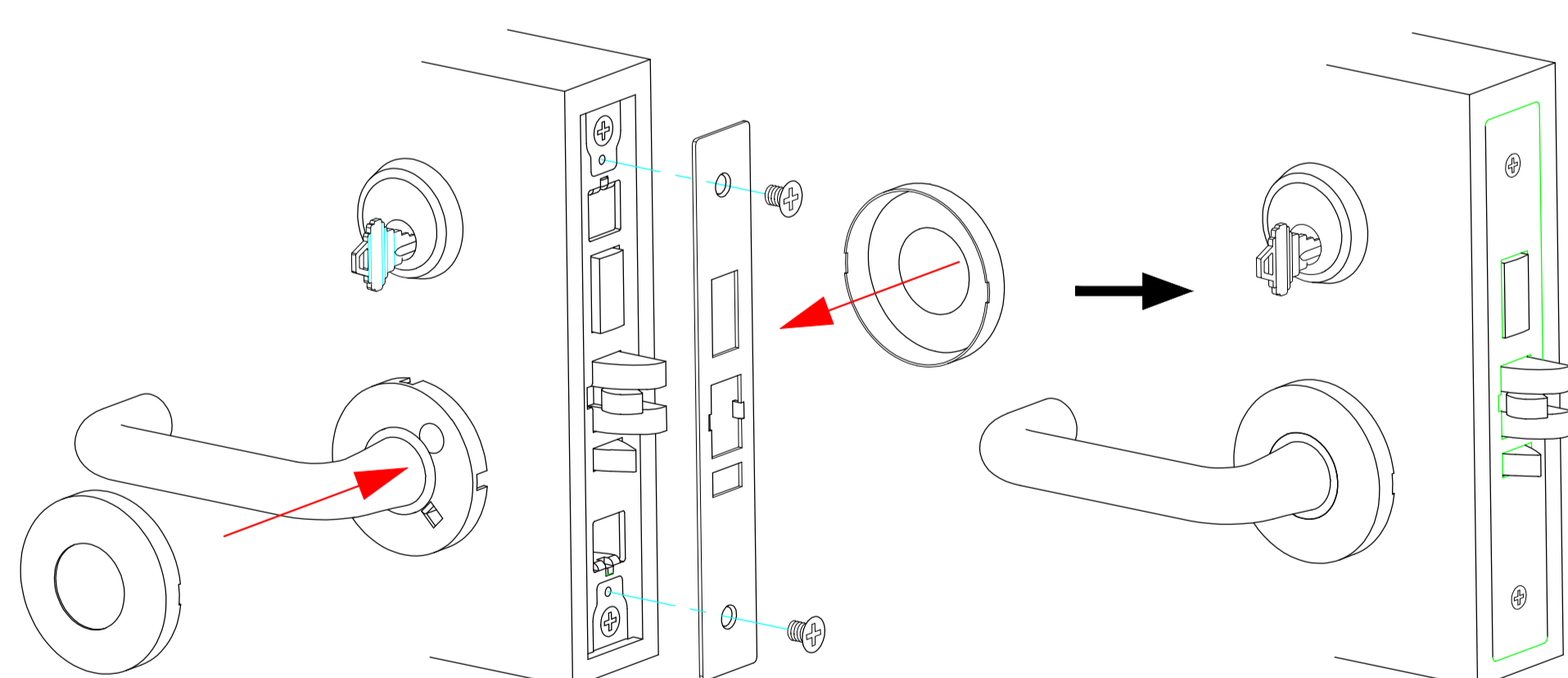
8. INSTALL THUMBTURN

1. Insert turn piece, make sure spindle engages lock chassis properly, then fasten with two screws.



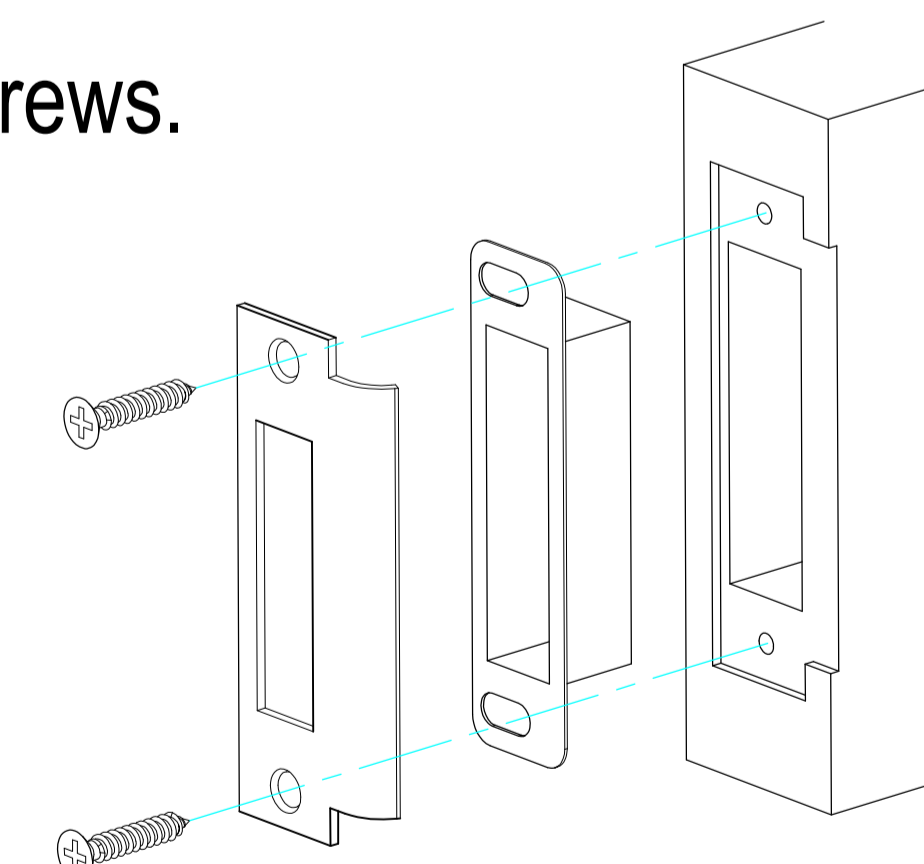
9. INSTALL ARMOR PLATE

1. Secure the armor plate using two screws.



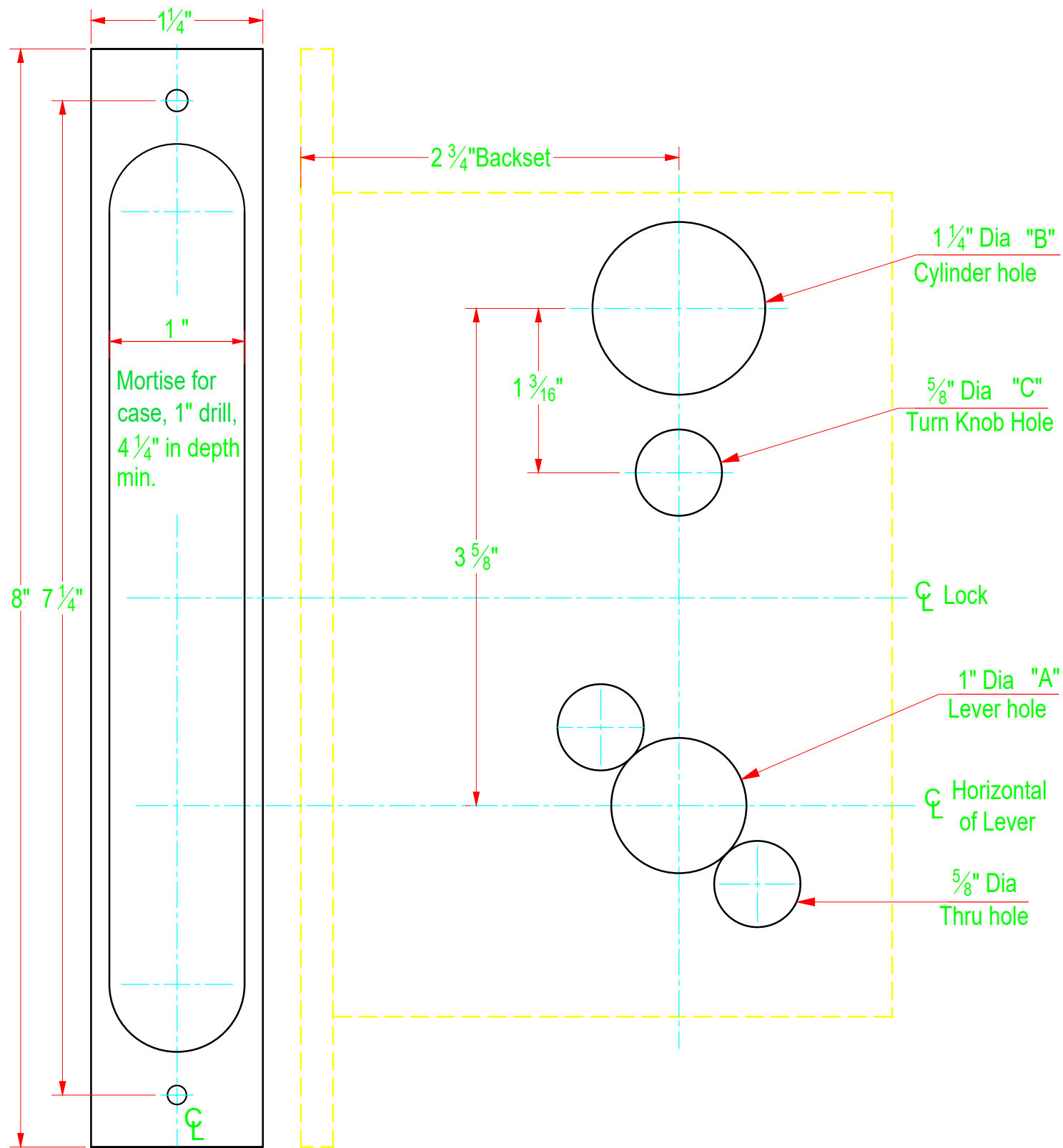
10. INSTALL STRIKE

1. Insert the dust box then strike.
2. Secure each with two combo-screws.



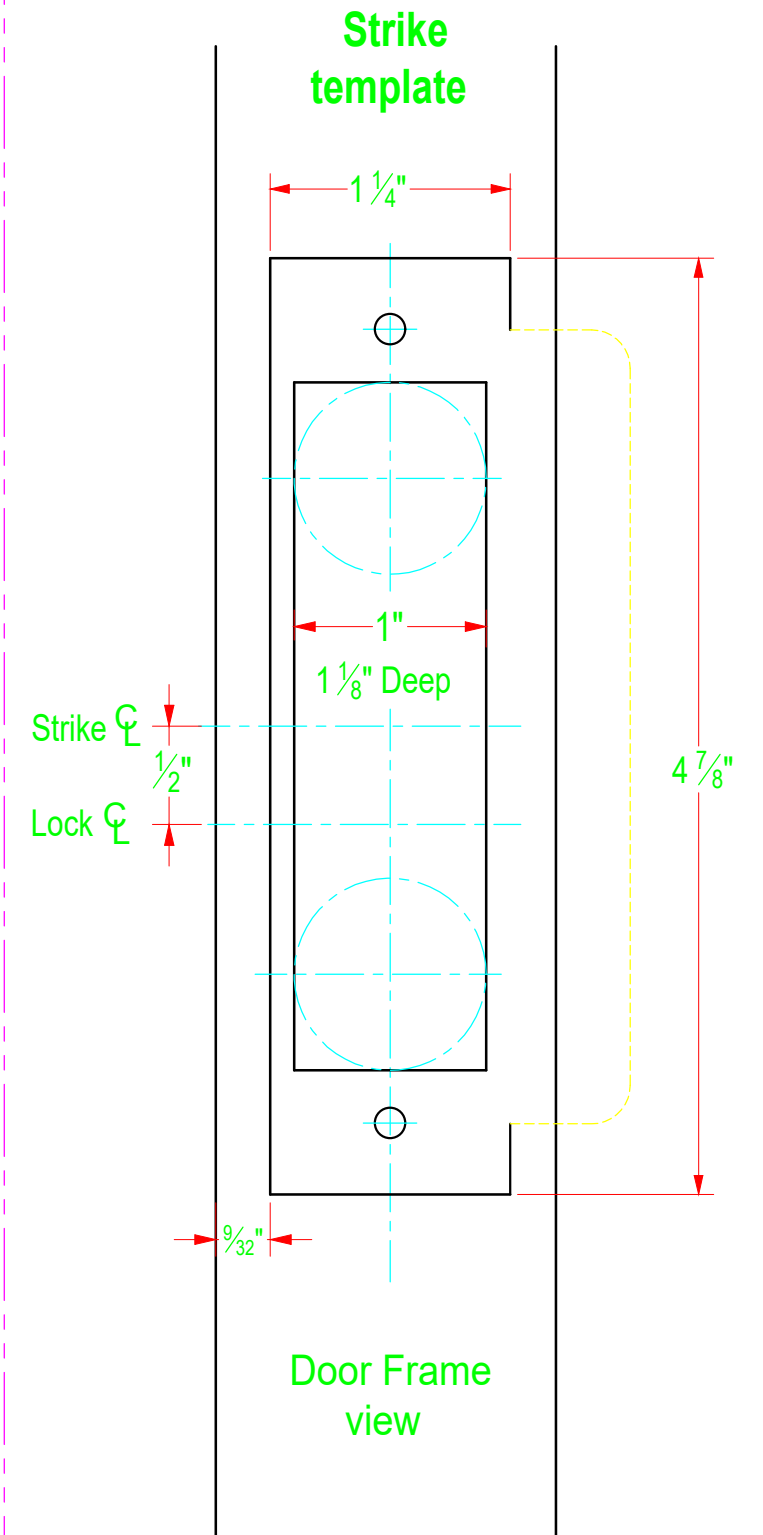
IMPORTANT

1. Be sure spindles have engaged lock chassis.
2. Test the proper lock operation with turn piece, lever and key.
3. Tighten all screws, including cylinder set screw.
4. Re-check lock for proper function before closing the door.
5. ALWAYS USE THE RECOMMENDED CYLINDER/S CAM FROM DURABLE COLLECTION LTD.

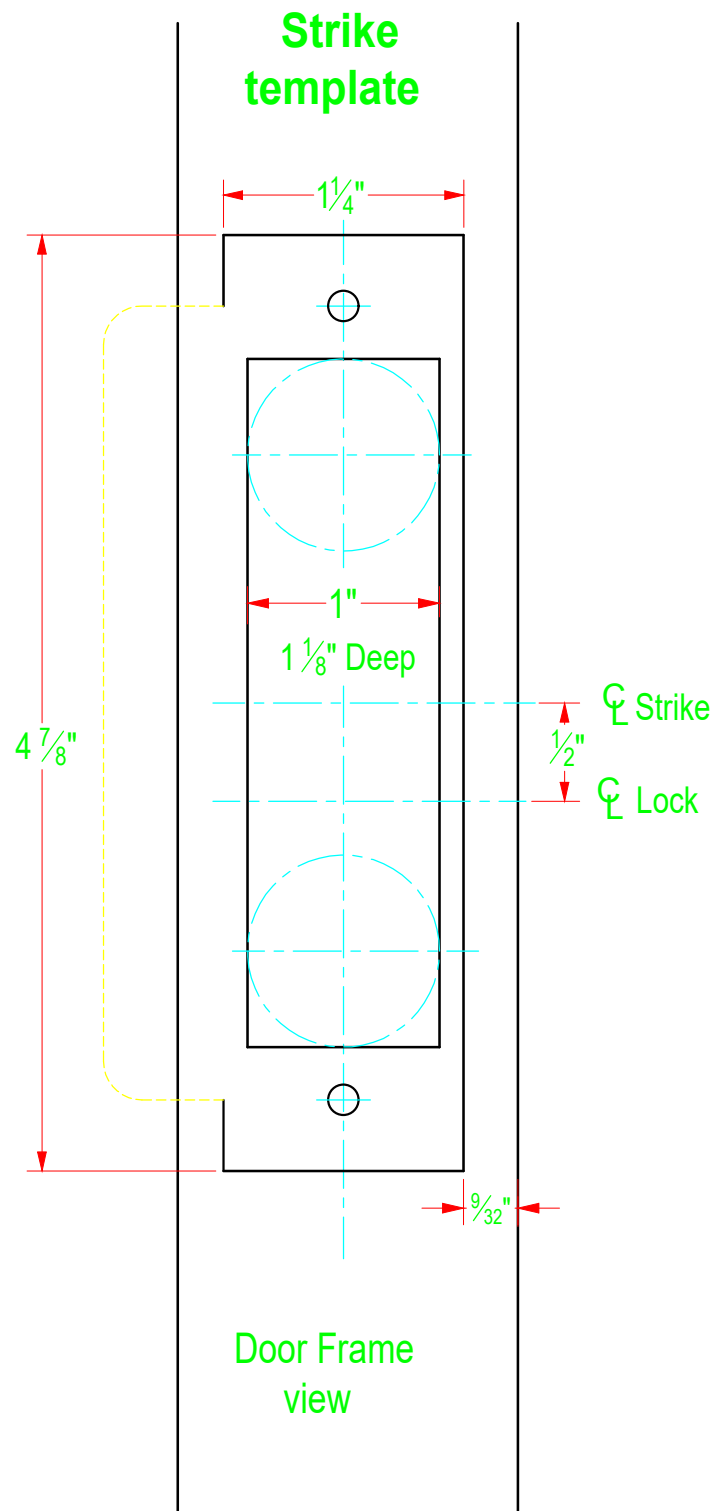


Door Preparation Chart

SERIES	OUTSIDE			INSIDE		
	Lever hole	Cylinder hole	Turn knob hole	Lever hole	Cylinder hole	Turn knob hole
DML1000L						
SERIES						
Lock function						
F01	•			•		
F02	•			•		
F04	•			•		
F05	•			•		
F07	•			•		
F09	•			•		
F13	•			•		
F14	•		•	•		
F19	•		•	•		
F20	•			•		
F21	•			•		
F31	•			•		
F32	•			•		
F33	•			•		
F34	•			•		

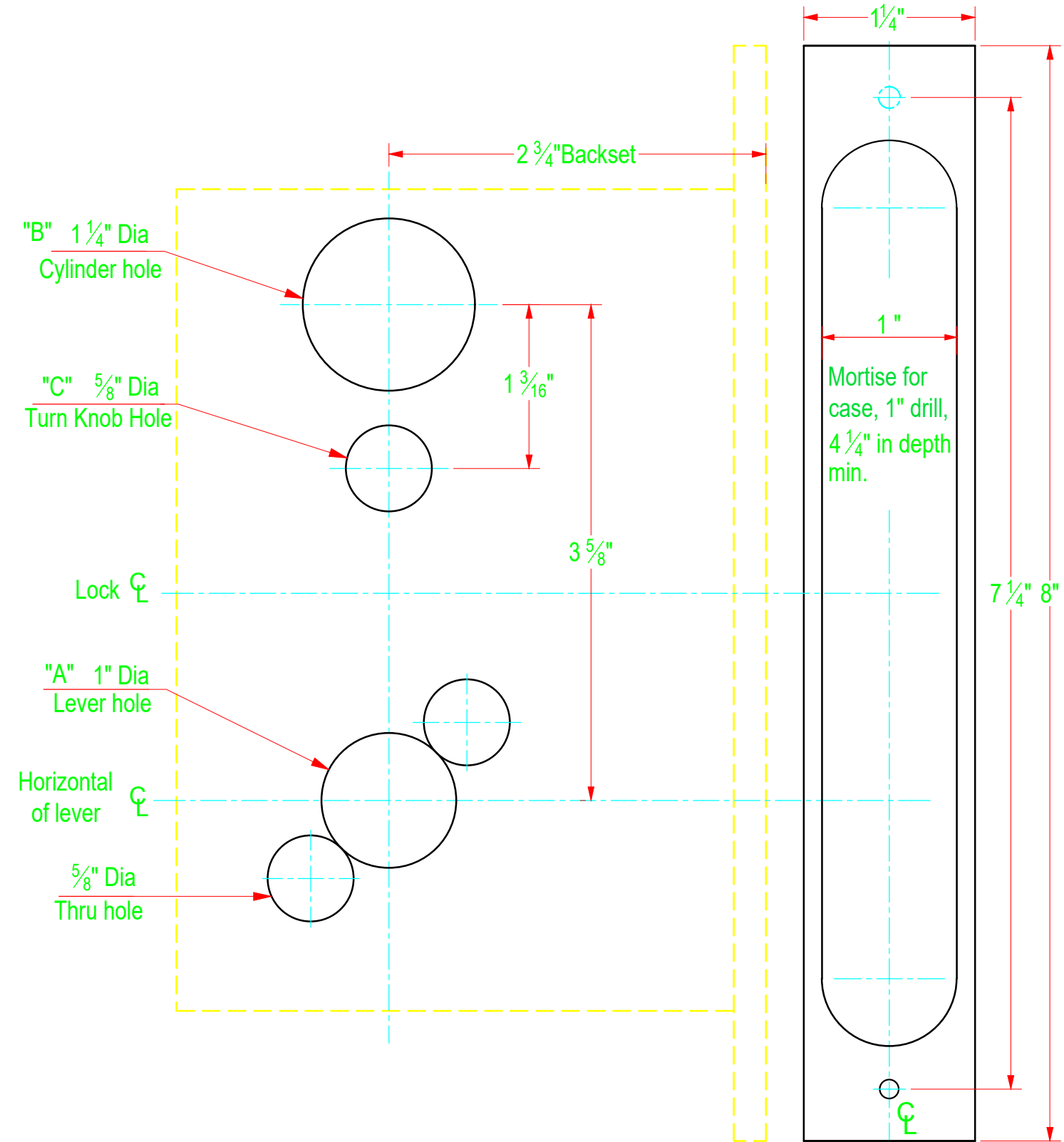


For opposite hand
please see reverse side



Door Preparation Chart

SERIES	OUTSIDE			INSIDE		
	Lever hole A	Cylinder hole B	Turn knob hole C	Lever hole A	Cylinder hole B	Turn knob hole C
DML1000L						
SERIES						
Lock function						
F01	•		•	•		•
F22	•			•		•
F04	•	•		•	•	
F05	•	•		•	•	
F07	•	•		•	•	
F09	•	•		•	•	
F13	•	•		•	•	
F14	•	•		•	•	
F19	•	•		•	•	
F20	•	•		•	•	
F21	•	•		•	•	
F31		•			•	
F32	•	•		•	•	
F33	•	•		•	•	
F34	•	•		•	•	



For opposite hand please see reverse side