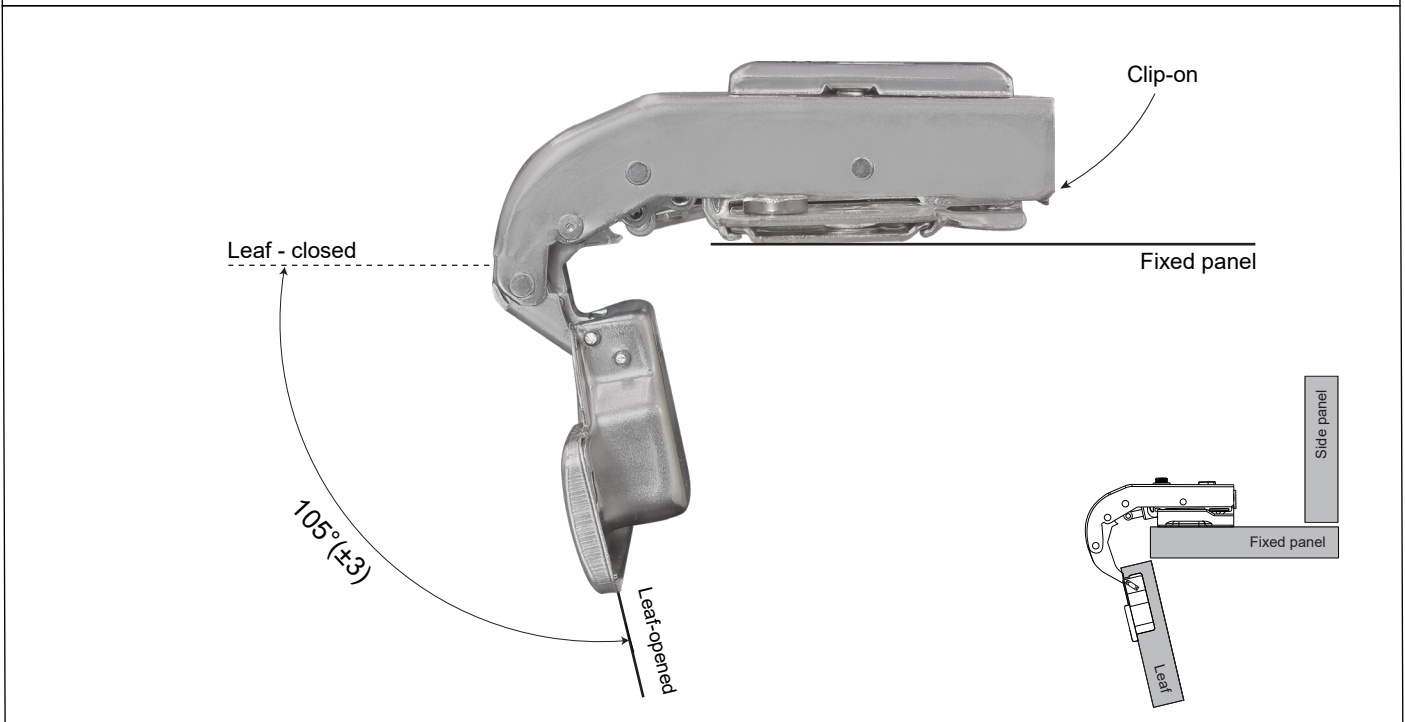
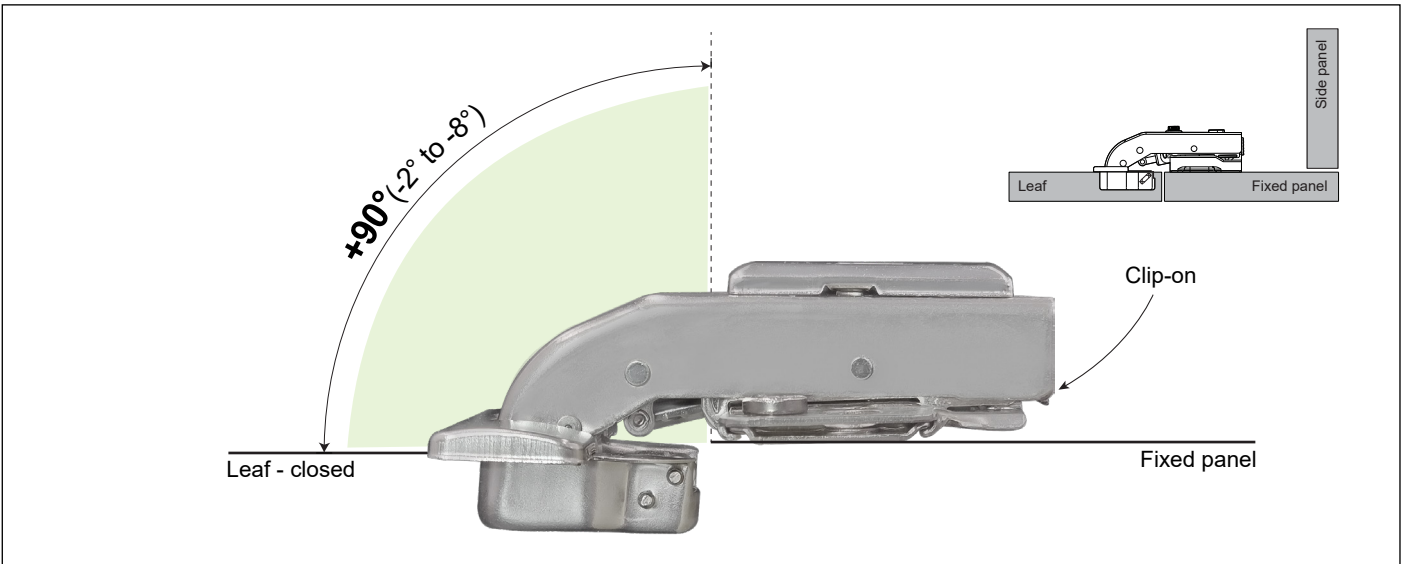


ITEM CODE: 1002-1202-16X SERIES

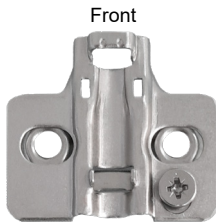
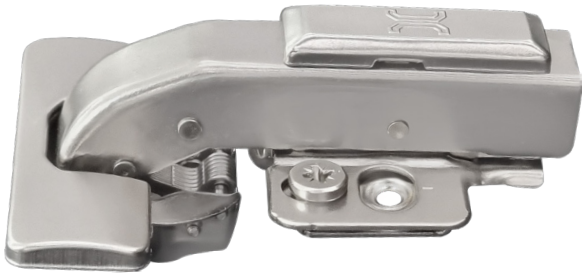
CLIP-ON CABINET HINGE, CLOSED ANGLE: $+90^\circ$ (TOLERANCE FROM -2° TO -8°) | OPENING ANGLE: $105^\circ (\pm 3)$

Features:

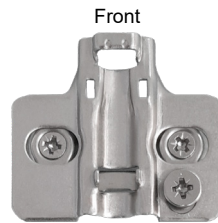
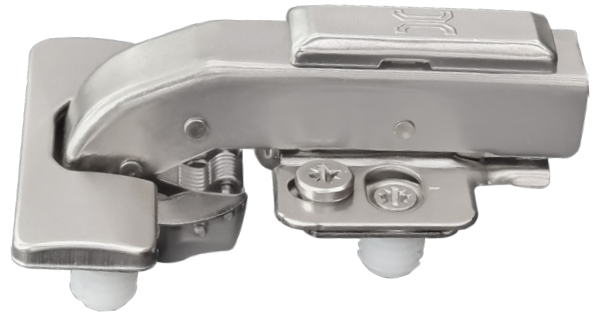
- For leaf thickness of 14-22 mm.
- $+90^\circ$ (tolerance from -2° to -8°) angled hinge, opening angle $105^\circ (\pm 3)$, soft-close hinge.
- One-way hinge.
- Base material: Cold rolled steel cup & arm.
- Finishes: - Copper (CU) & nickel plated.
- Optional: Copper (CU) & matt black plated.
- Tool-free (Clip-on) for easy assembly.
- Cup screw fixing distance: 48 mm.
- 3D adjustment (with mounting plate).
- Compliant to EN15570 - 40,000 cycles.



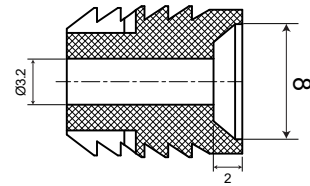
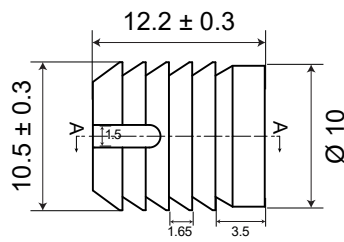
Cabinet hinge 16X Series with mounting plate 701 Series



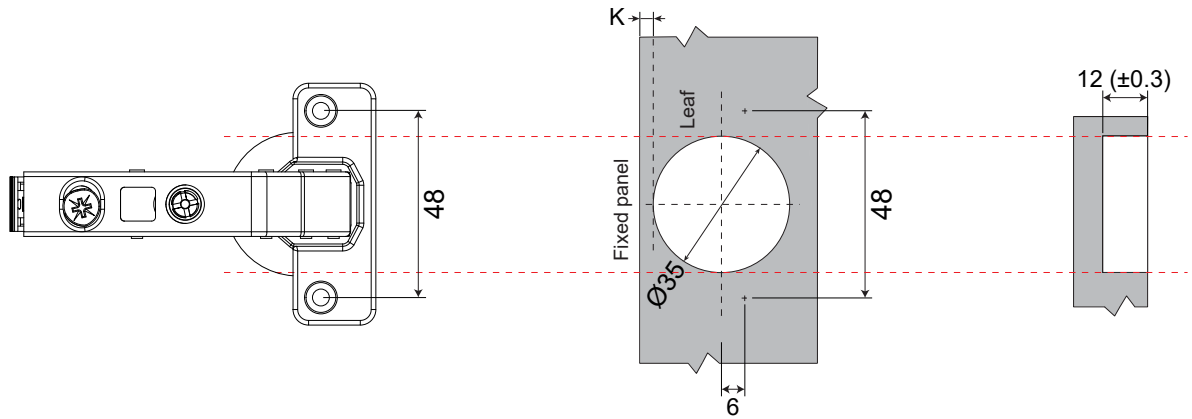
Cabinet hinge 16X Series with mounting plate 702 Series (with dowel)



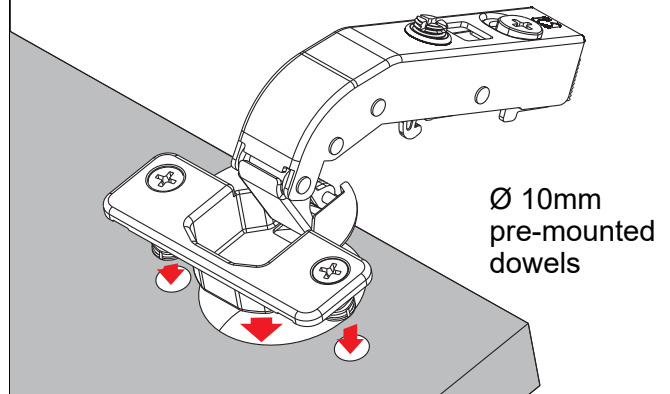
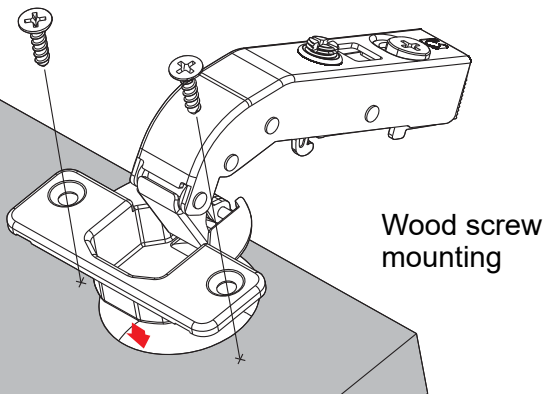
Dowel dimensions
Ø 10 mm



Drilling pattern for cup fixing



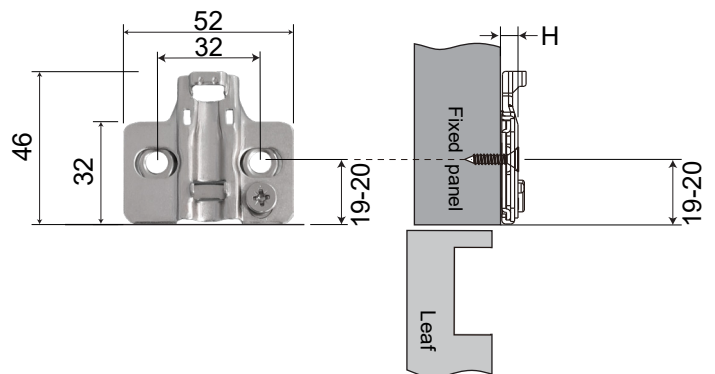
Cup Installation

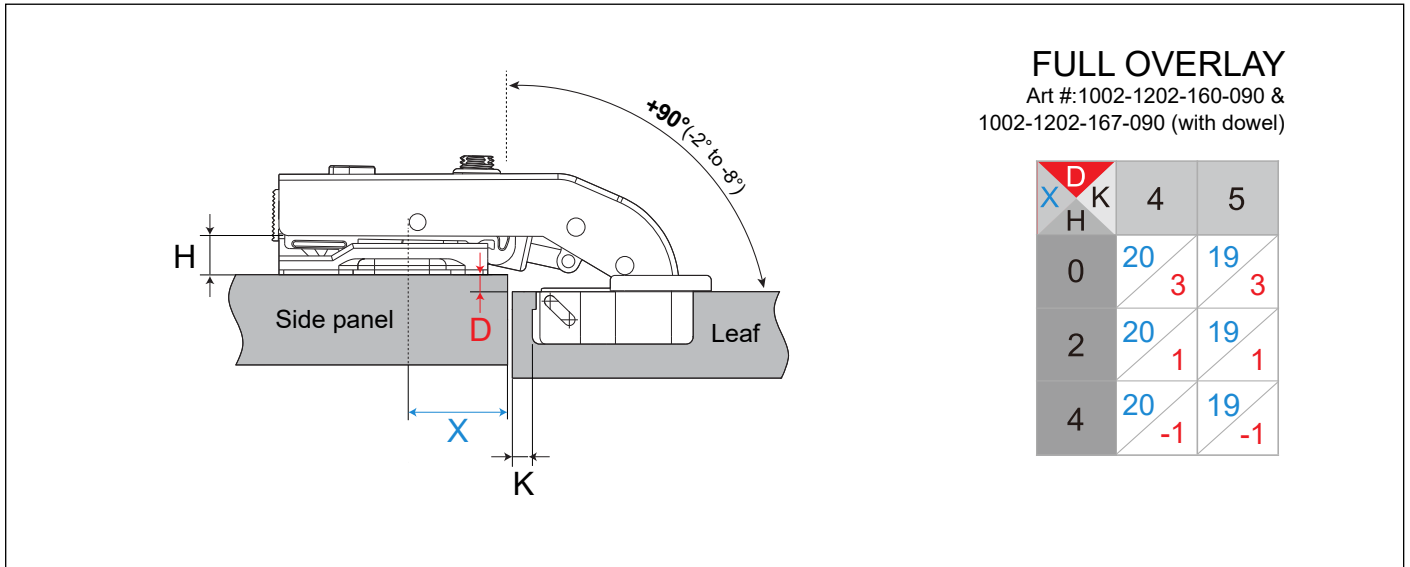


Mounting plates features:

- Wood screw: Ø 4*15.5 mm.
- Fixing screw drilling space: 32 mm.
- To fixed panel edge: 19 mm to 20 mm.
- Adjustment range: -1.9 mm, +1.9 mm.
- Base material: Cold rolled steel.
- Finishes: - Copper (CU) & nickel plated.
- Optional: Copper (CU) & matt black plated.
- Height:

H0: 1002-1202-701-000		1002-1202-702-000 (with dowel)
H2: 1002-1202-701-002		1002-1202-702-002 (with dowel)
H4: 1002-1202-701-004		1002-1202-702-004 (with dowel)





Hinge adjustment

Height adjustment
Adjust the mounting plate on panel to adjust the leaf's height.
Adjust range: -1.9mm, +1.9mm.

Depth adjustment
Rotate depth screw to adjust leaf gap.
Adjust range: -1.9mm, +1.9mm.

Overlay adjustment
Rotate lateral screw to increase or decrease leaf overlay.
Adjust range: -2.5mm, +2.5mm.

Note:
The reference adjustment range is the product design range. The actual size of the cabinet and the drilling method may have a certain impact on the parameters.

