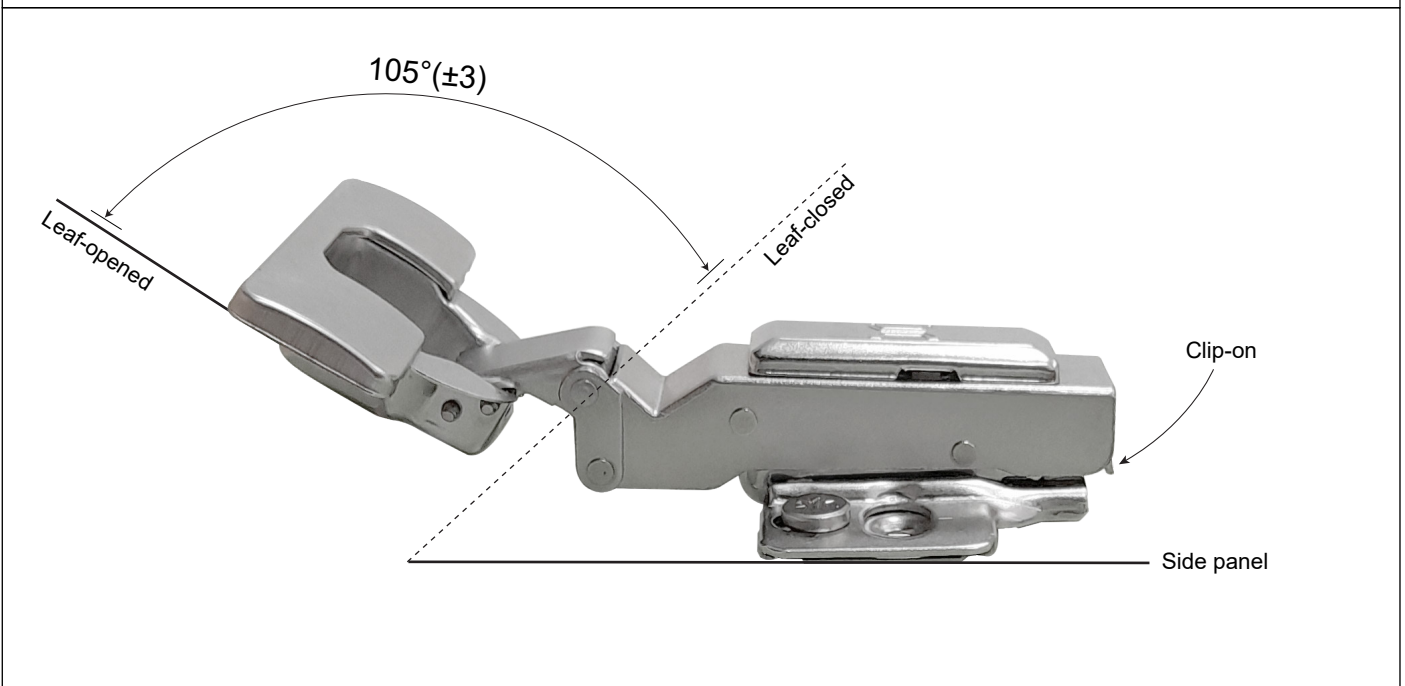
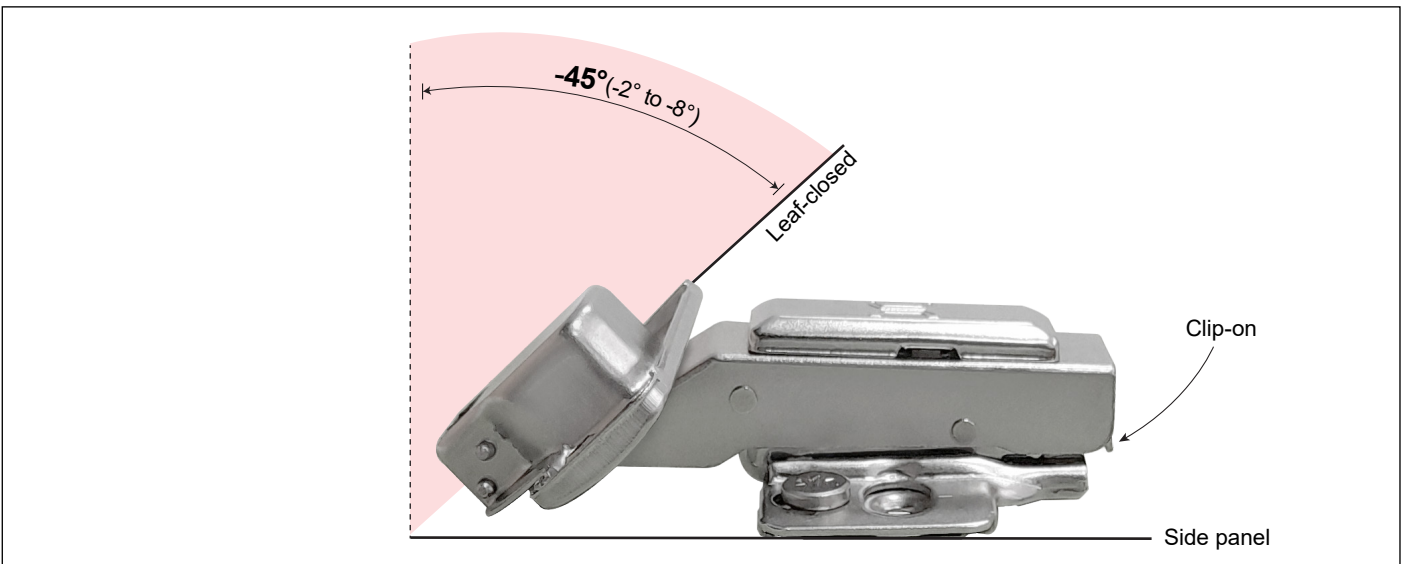
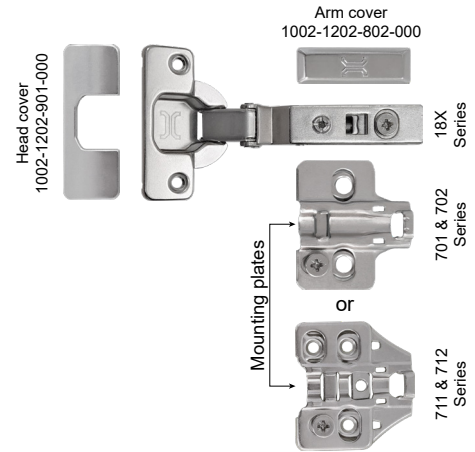


## ITEM CODE: 1002-1202-18X SERIES

CLIP-ON CABINET HINGE, CLOSED ANGLE:  $-45^\circ$  (TOLERANCE FROM  $-2^\circ$  TO  $-8^\circ$ ) | OPENING ANGLE:  $105^\circ (\pm 3)$

### Features:

- For leaf thickness of 14-22 mm.
- $-45^\circ$  (tolerance from  $-2^\circ$  to  $-8^\circ$ ) angled hinge, opening angle  $105^\circ (\pm 3)$ , soft-close hinge.
- One-way hinge.
- Base material: Cold rolled steel cup & zinc alloy arm.
- Finishes: - Copper (CU) & nickel plated.  
- Optional: Copper (CU) & matt black plated.
- Tool-free (Clip-on) for easy assembly.
- Cup screw fixing distance: 48 mm.
- 3D adjustment (with mounting plate).
- Compliant to EN15570 - 40,000 cycles.



Cabinet hinge 18X Series with mounting plate 701 Series



Cabinet hinge 18X Series with mounting plate 702 Series (with dowel)



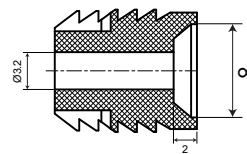
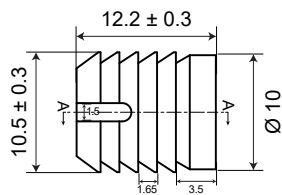
Cabinet hinge 18X Series with mounting plate 711 Series



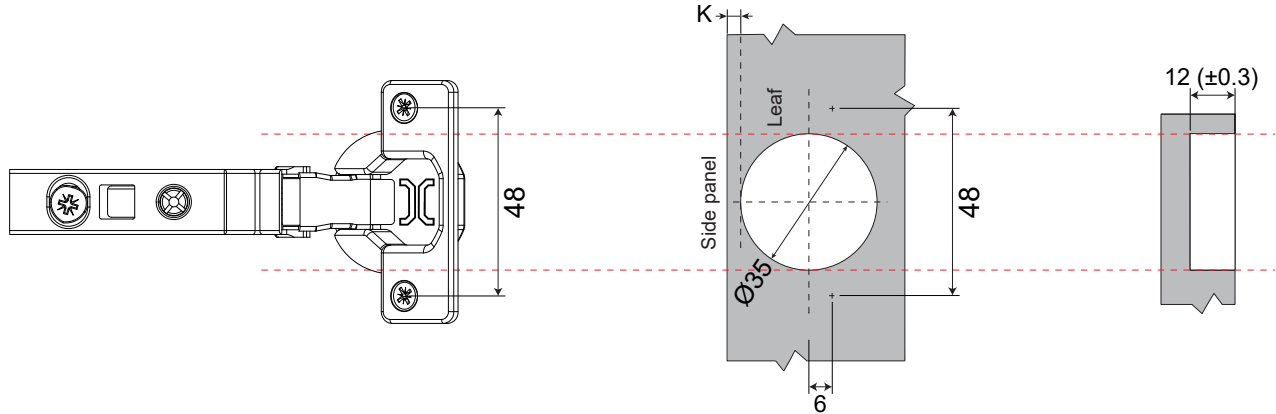
Cabinet hinge 18X Series with mounting plate 712 Series (with dowel)



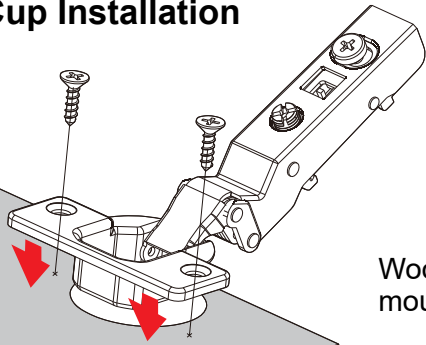
Dowel dimensions  
Ø 10 mm



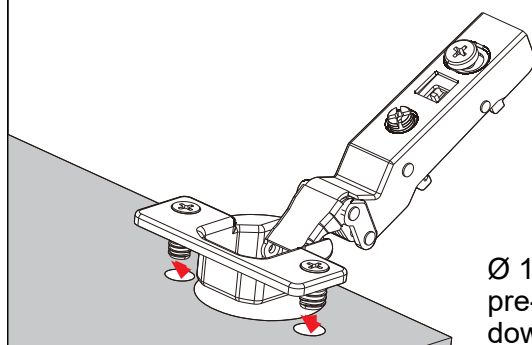
## Drilling pattern for cup fixing



## Cup Installation



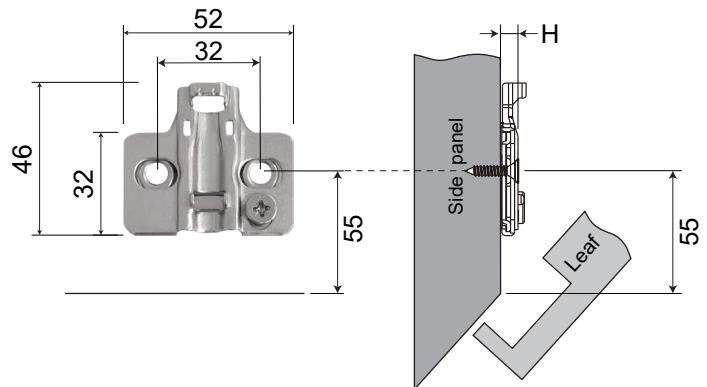
Wood screw  
mounting



$\text{Ø} 10$  mm  
pre-mounted  
dowels

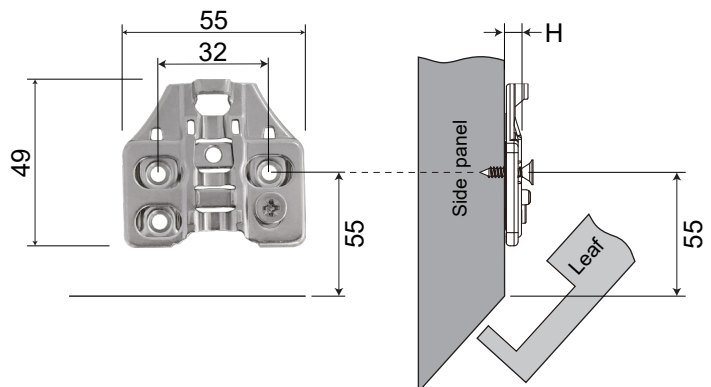
### Mounting plates features:

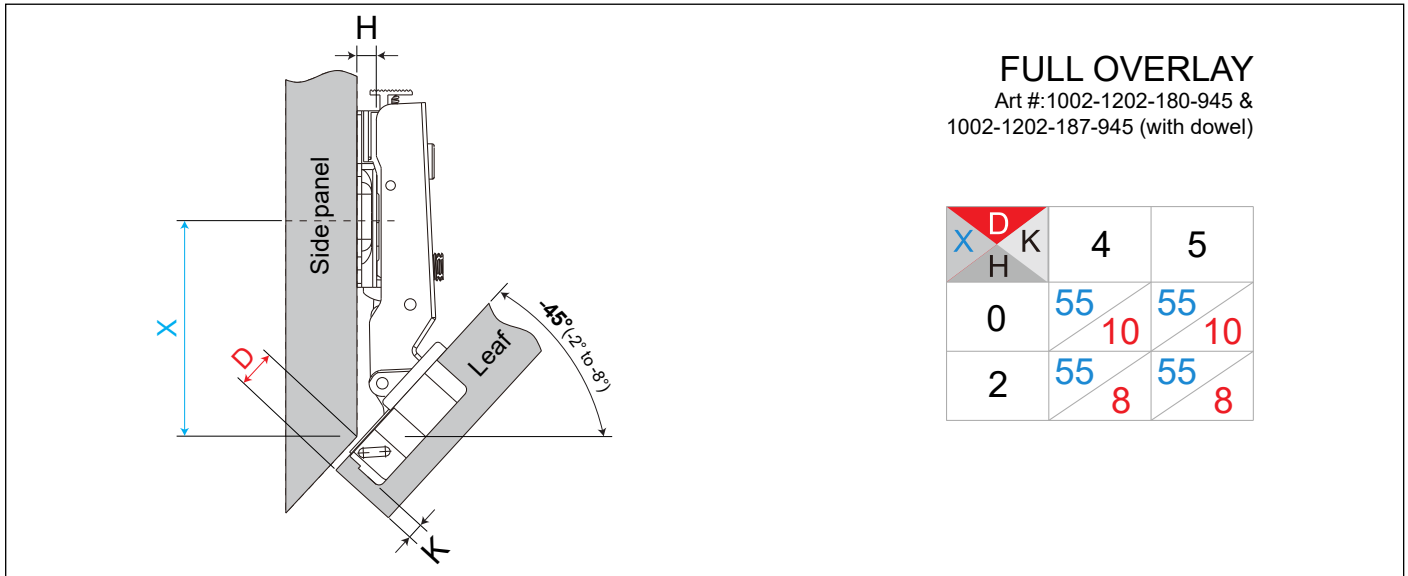
- Wood screw:  $\text{Ø} 4 \times 15.5$  mm.
- Fixing screw drilling space: 32 mm.
- To side panel edge: 55 mm.
- Adjustment range: -1.9 mm, +1.9 mm.
- Base material: Cold rolled steel.
- Finishes: - Copper (CU) & nickel plated.  
- Optional: Copper (CU) & matt black plated.
- Height:  
H0: 1002-1202-701-000 | 1002-1202-702-000 (with dowel)  
H2: 1002-1202-701-002 | 1002-1202-702-002 (with dowel)  
H4: 1002-1202-701-004 | 1002-1202-702-004 (with dowel)



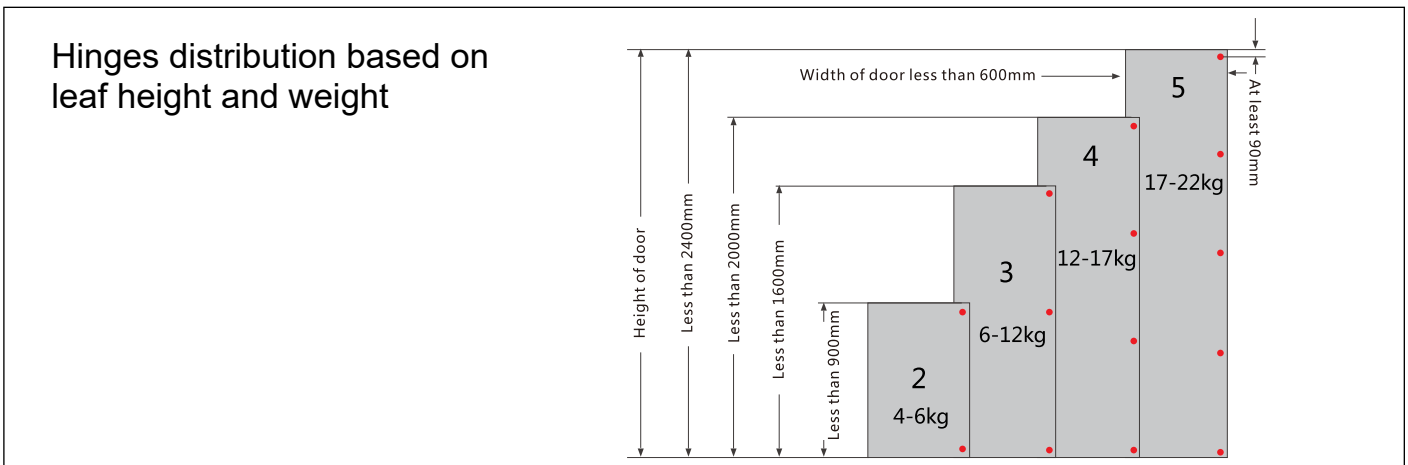
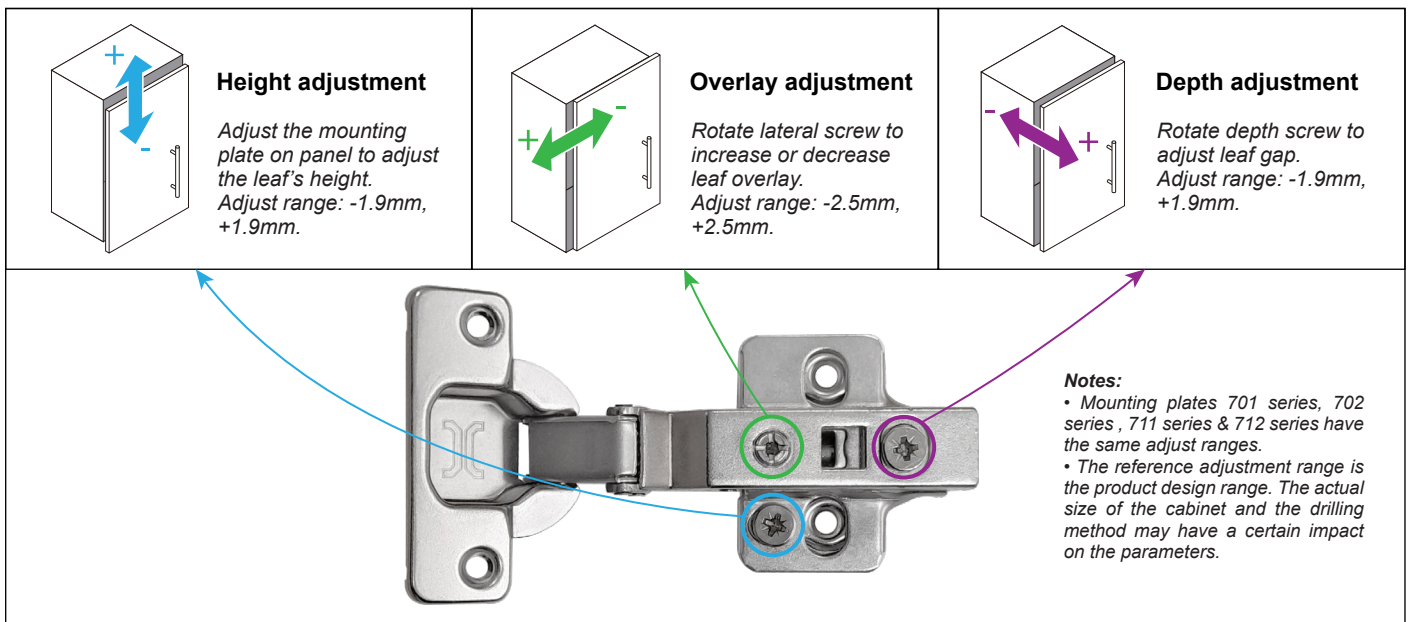
### Mounting plates features:

- Wood screw:  $\text{Ø} 4 \times 15.5$  mm.
- Fixing screw drilling space: 32 mm.
- To side panel edge: 55 mm.
- Adjustment range: -1.9 mm, +1.9 mm.
- Base material: Cold rolled steel.
- Finishes: - Copper (CU) & nickel plated.  
- Optional: Copper (CU) & matt black plated.
- Height:  
H0: 1002-1202-711-000 | 1002-1202-712-000 (with dowel)  
H2: 1002-1202-711-002 | 1002-1202-712-002 (with dowel)  
H4: 1002-1202-711-004 | 1002-1202-712-004 (with dowel)

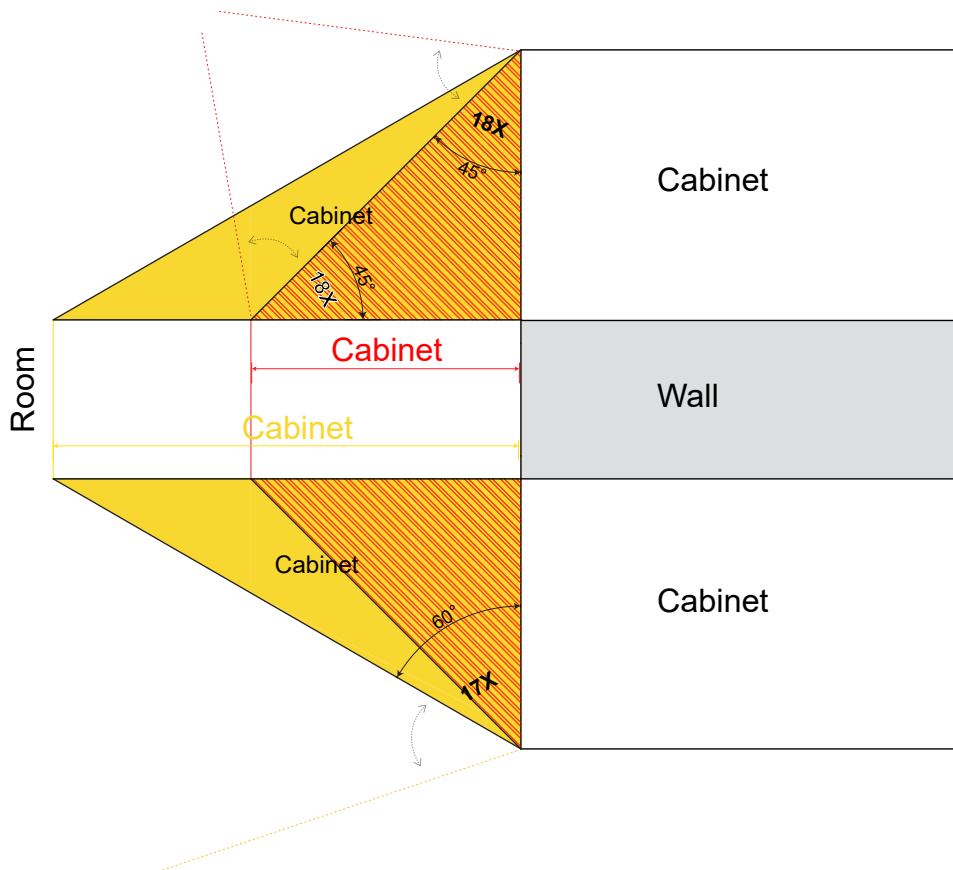
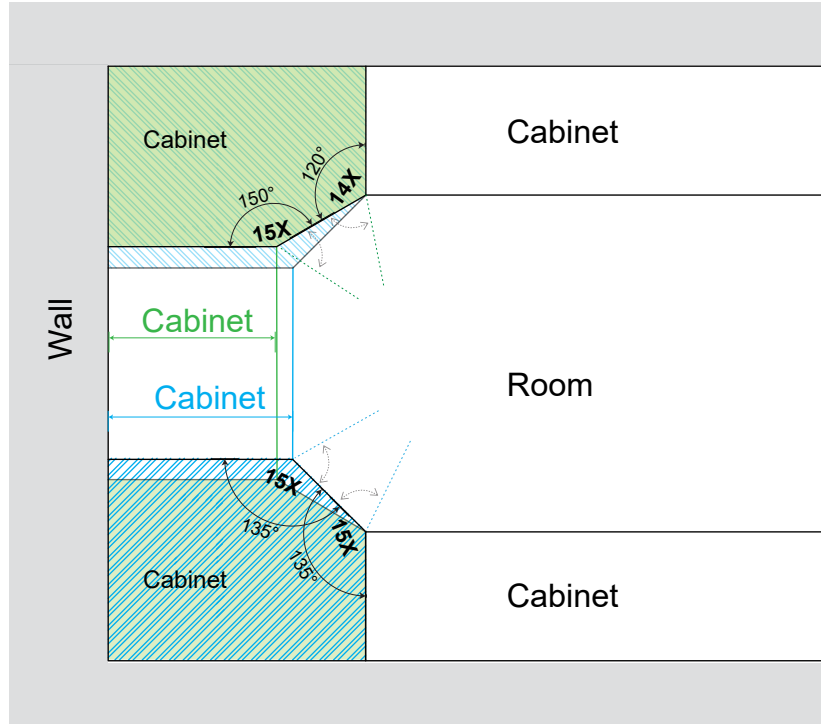




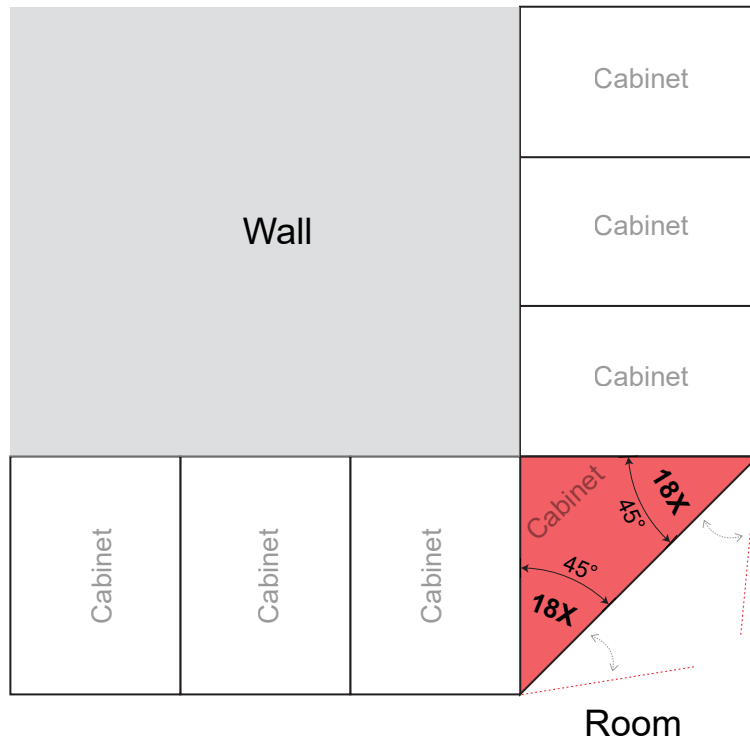
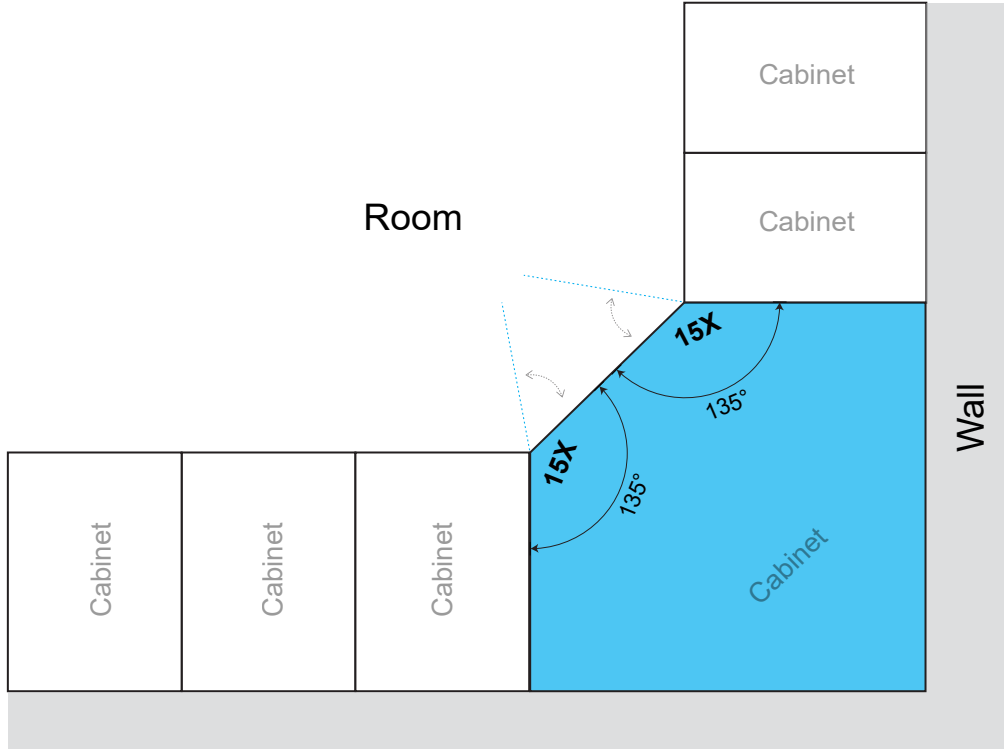
## Hinge adjustment



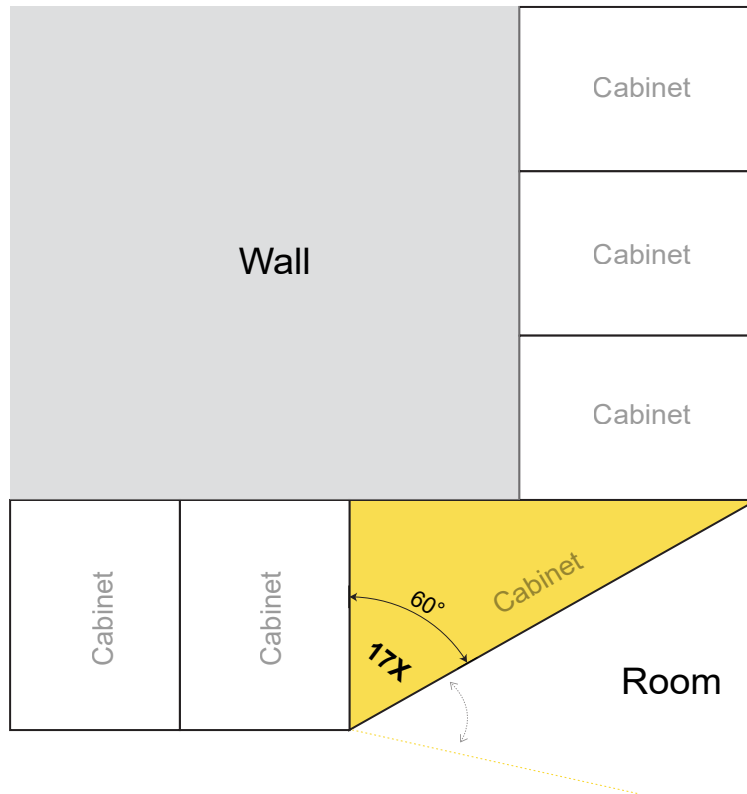
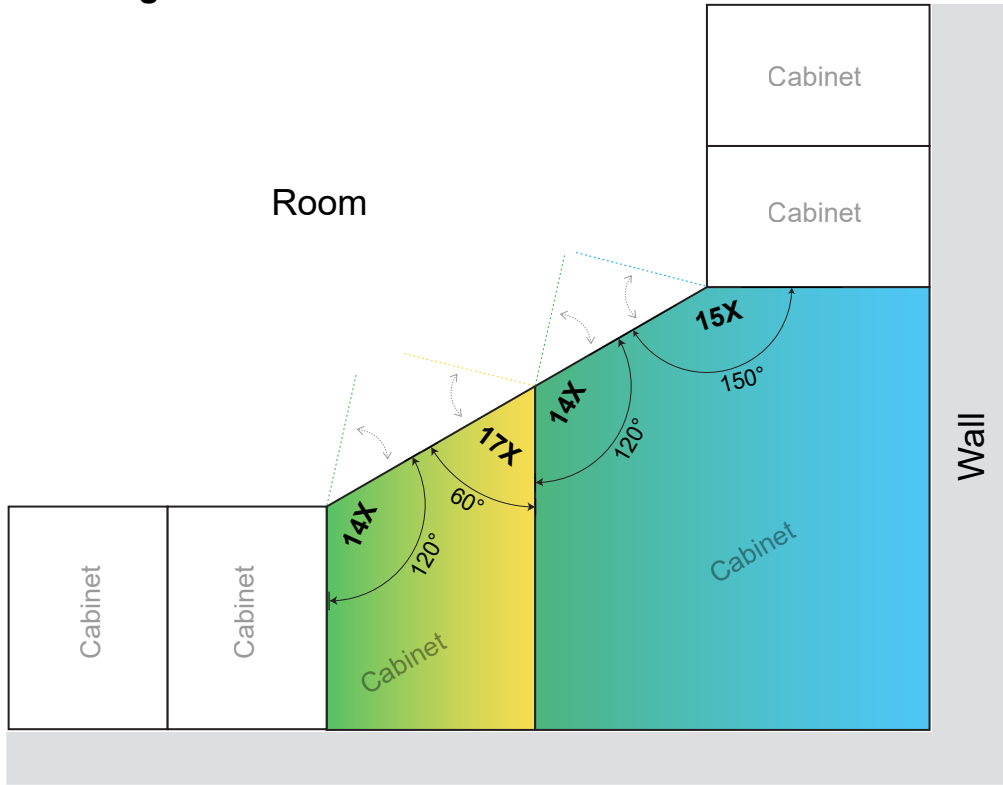
**Prototypes of hinge Installation**



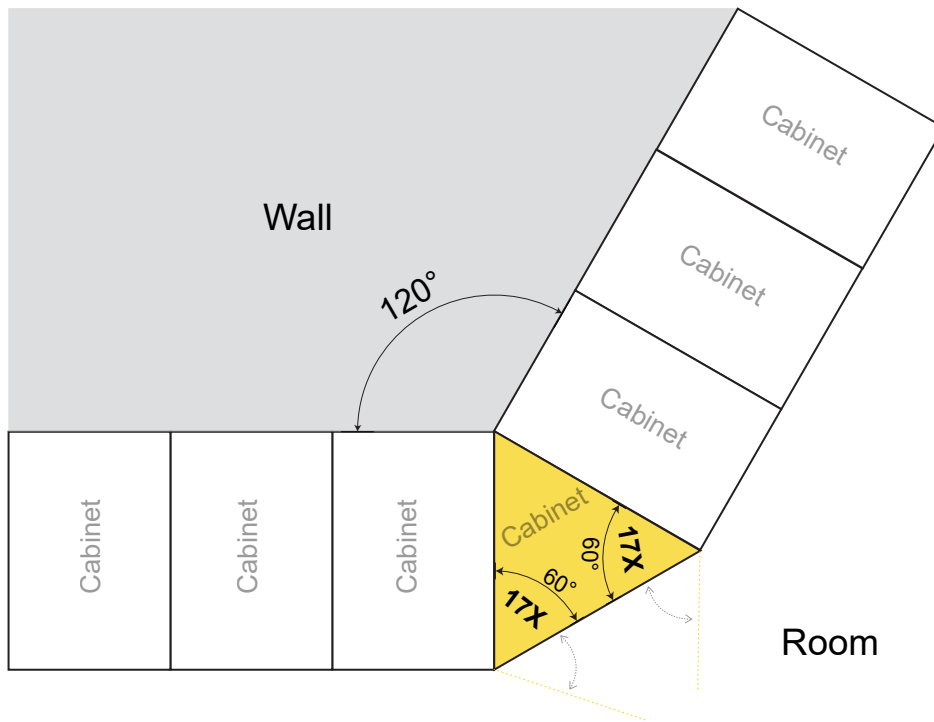
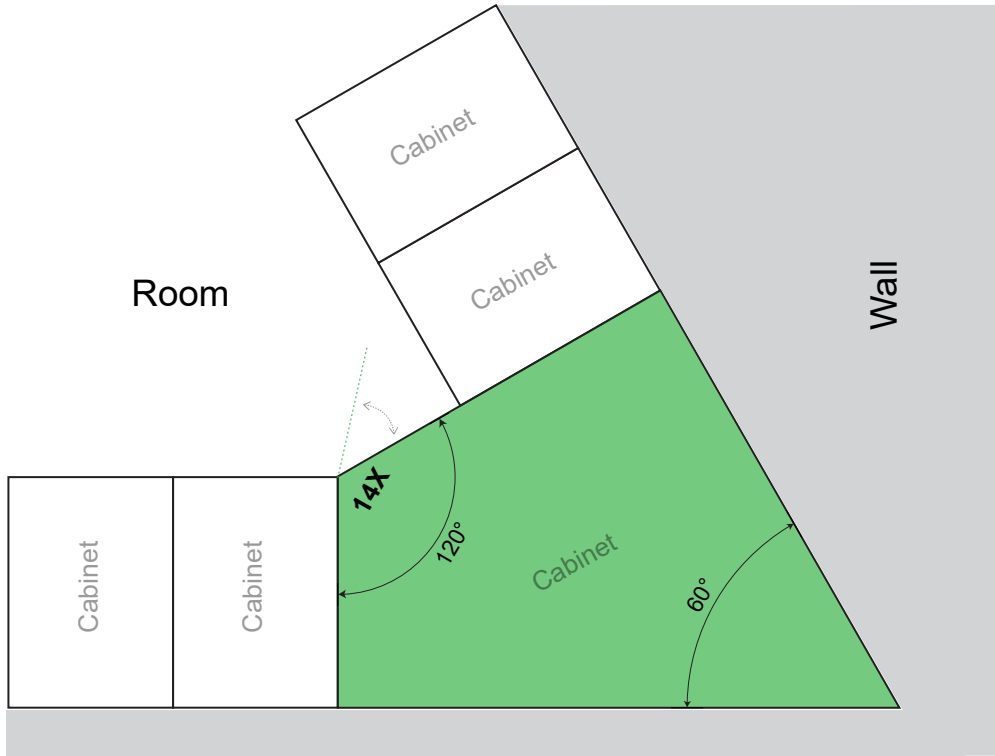
**Prototypes of hinge Installation**



**Prototypes of hinge Installation**



**Prototypes of hinge Installation**





**Prototypes of hinge Installation**

