


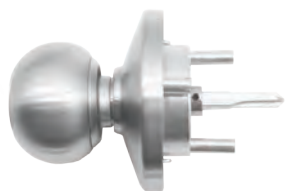






**ITEM CODE: D301 SS/ST & D306 SS/ST SERIES
FIRE-EXIT HARDWARE****Features:**

- Area of application: For single and double wooden and metal door.
- Standard material:
 - For D301 SS and D306 SS Series, all parts in Stainless steel EN 1.4301 (except Head Cover, made in Aluminum).
 - For D301 ST and D306 ST Series, all parts in Steel Q235-A (Except Head Cover, made in Aluminum).
- One-locking point for D301 series and two-point locking for D306 series.
- Anti-thrust latch function for D301 series.
- Supplied with:
 - D301 SS/ST series: 1 pc complete set latch touch bar, 1 pc keep (strike) for single leaf with full set of screws.
 - D306 SS/ST series: 1 pc complete set bolt touch bar, 1 pc top strike, 1 pc bottom strike, 1 set top latch, 1 set bottom latch, 2 sets clamps, 2 pc connect bar (for maximum door height 2133 mm).
- Strike plate (SPD159) for double leaf to be ordered separately.
- D301 and D306 Series actuator bar has two lengths: 535 or 675 mm.
- Optional: Request to Exit (REXKITM), Electric latch retraction (DELRKITM), latch bolt monitor (LBMKITM) and Dead bolt monitor (DBMKITM).
- UL listed and examined to UL 10C. UL unique identification number: GXHX.R25171.
- CE marked for D301 SS/ST and D306 SS/ST.
- Examined in accordance with UL 305 and ANSI A156.3-2020 requirements for Grade 1.
- BHMA Certified.
- Standard finish: 630 and 652. Other finishes are available upon request.



DT004M	D3300TC-SFIC	D3300TC	DT006M
			

DT110M ANSI	DT110M EURO	DT009M ANSI	DT010M EURO
			

DT109M FSE 12V ANSI (optional 24V)	DT109M FSE 12V EURO (optional 24V)	SPD159
