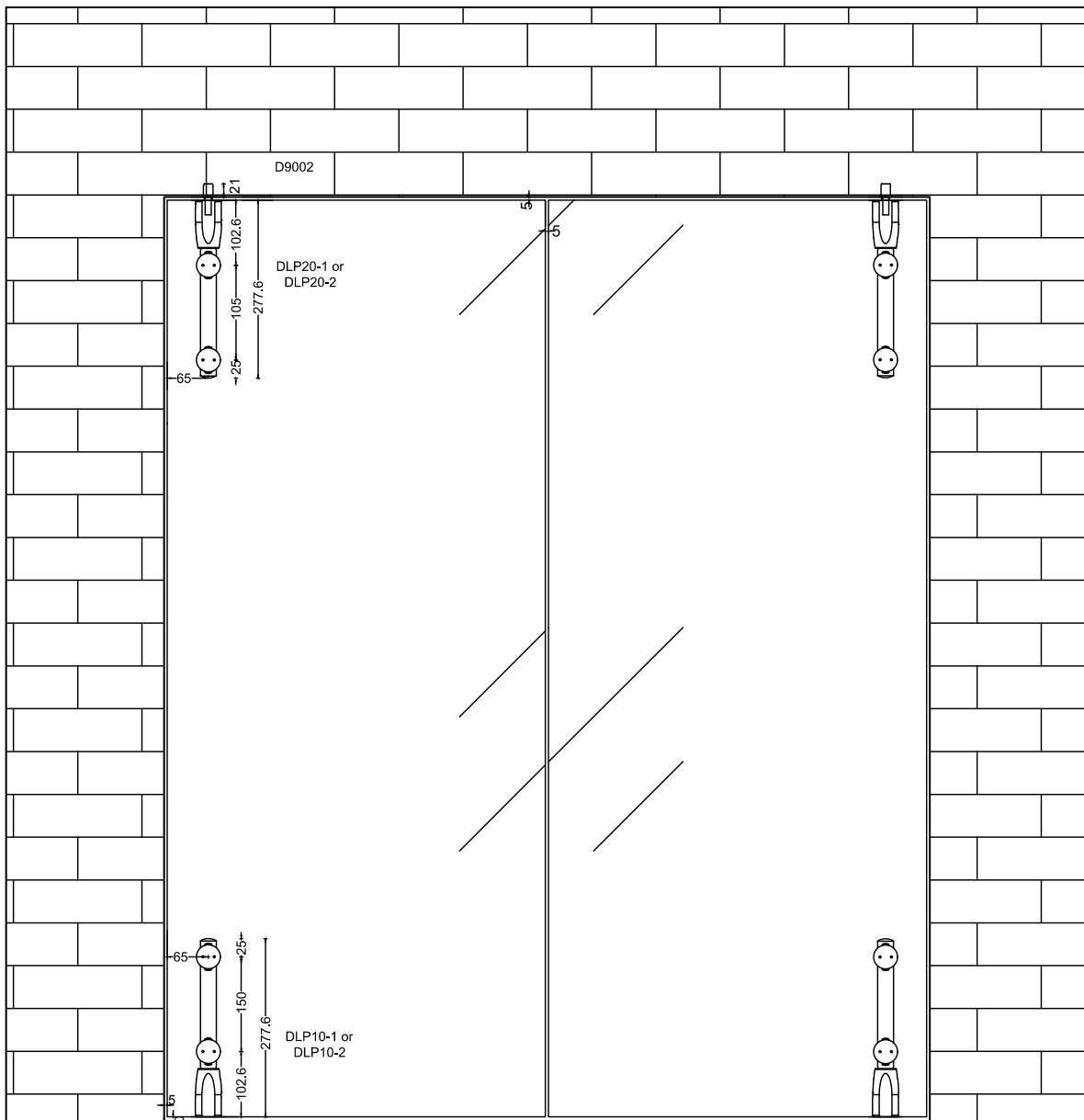


ITEM CODE: PIVOT FRAMELESS GLASS SWING DOOR SYSTEMS

Features:

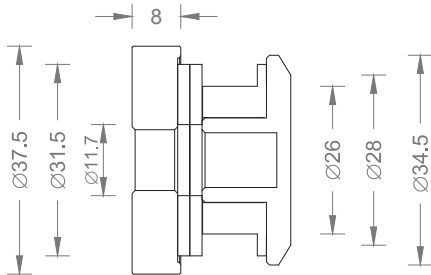
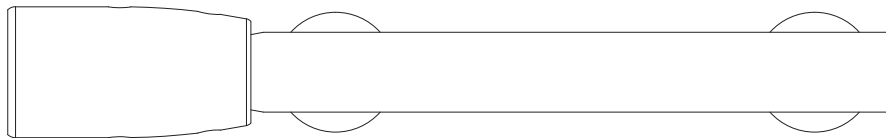
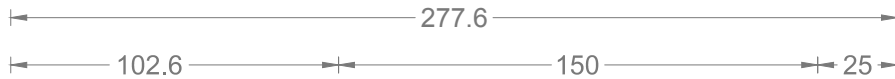
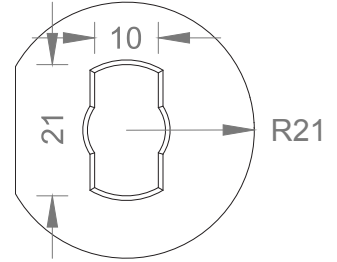
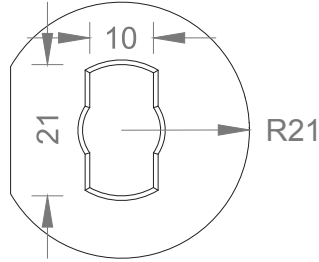
- Made of high-grade stainless steel EN 1.4401 (type 316).
- For frameless glass swing doors.
- For use with glass thickness from 8 to 12 mm.
- Optional design: Flush-mount (countersunk) or surface-mount (flat cap) glass fabrication.
- Standard finish: Satin Stainless Steel (SSS). Other finishes are available upon request.



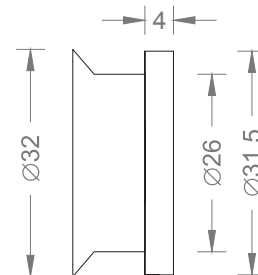
ITEM ILLUSTRATED AND DIMENSIONS

DLP10-1

DLP10-2



Glass thickness from 8 to 12 mm

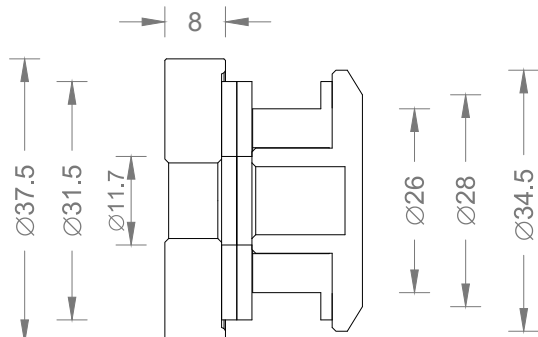
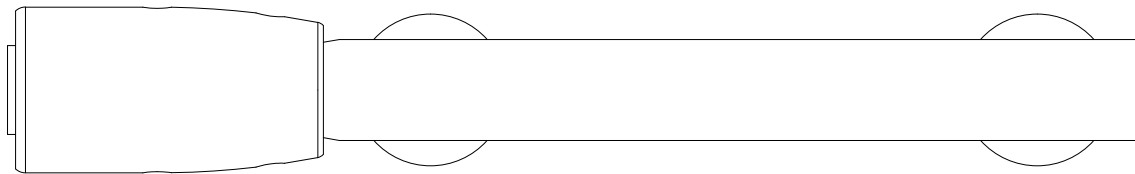
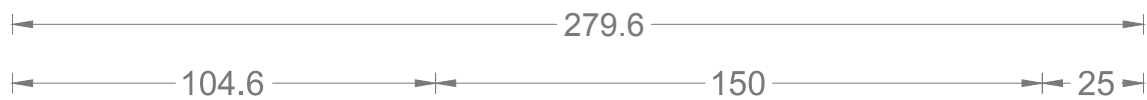


Glass thickness from 8 to 12 mm

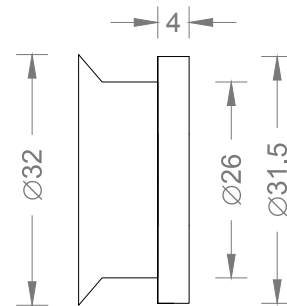
ITEM ILLUSTRATED AND DIMENSIONS

DLP20-1

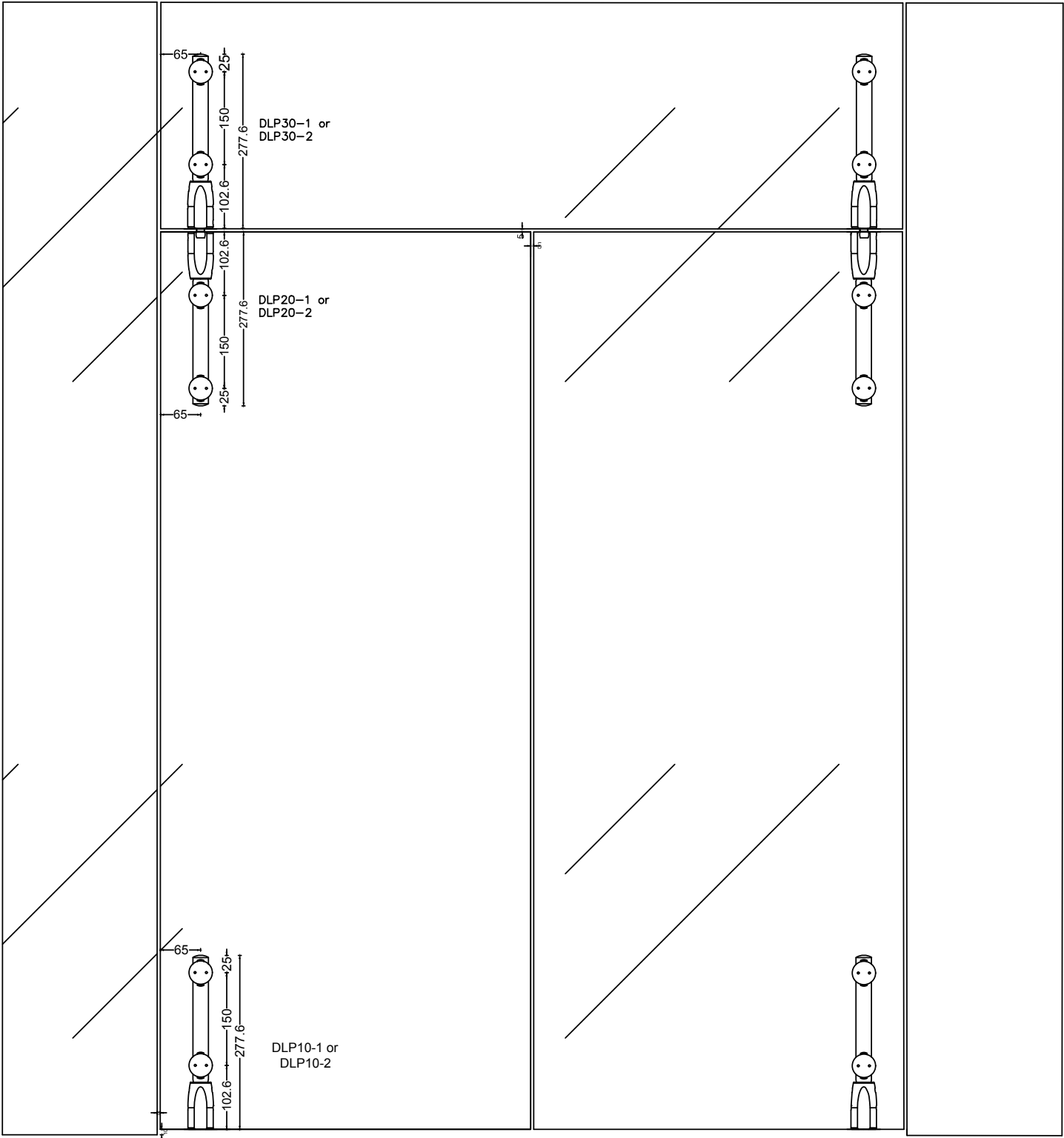
DLP20-2


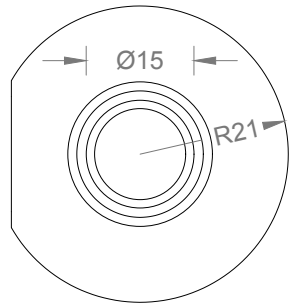

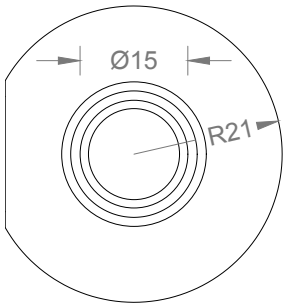





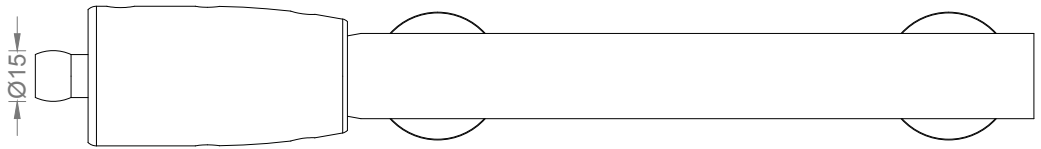
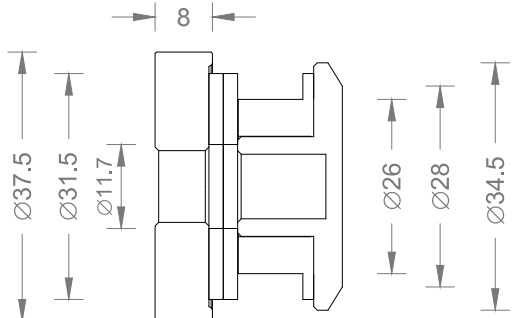
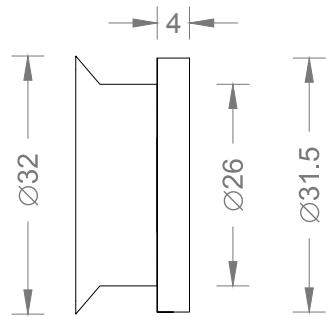


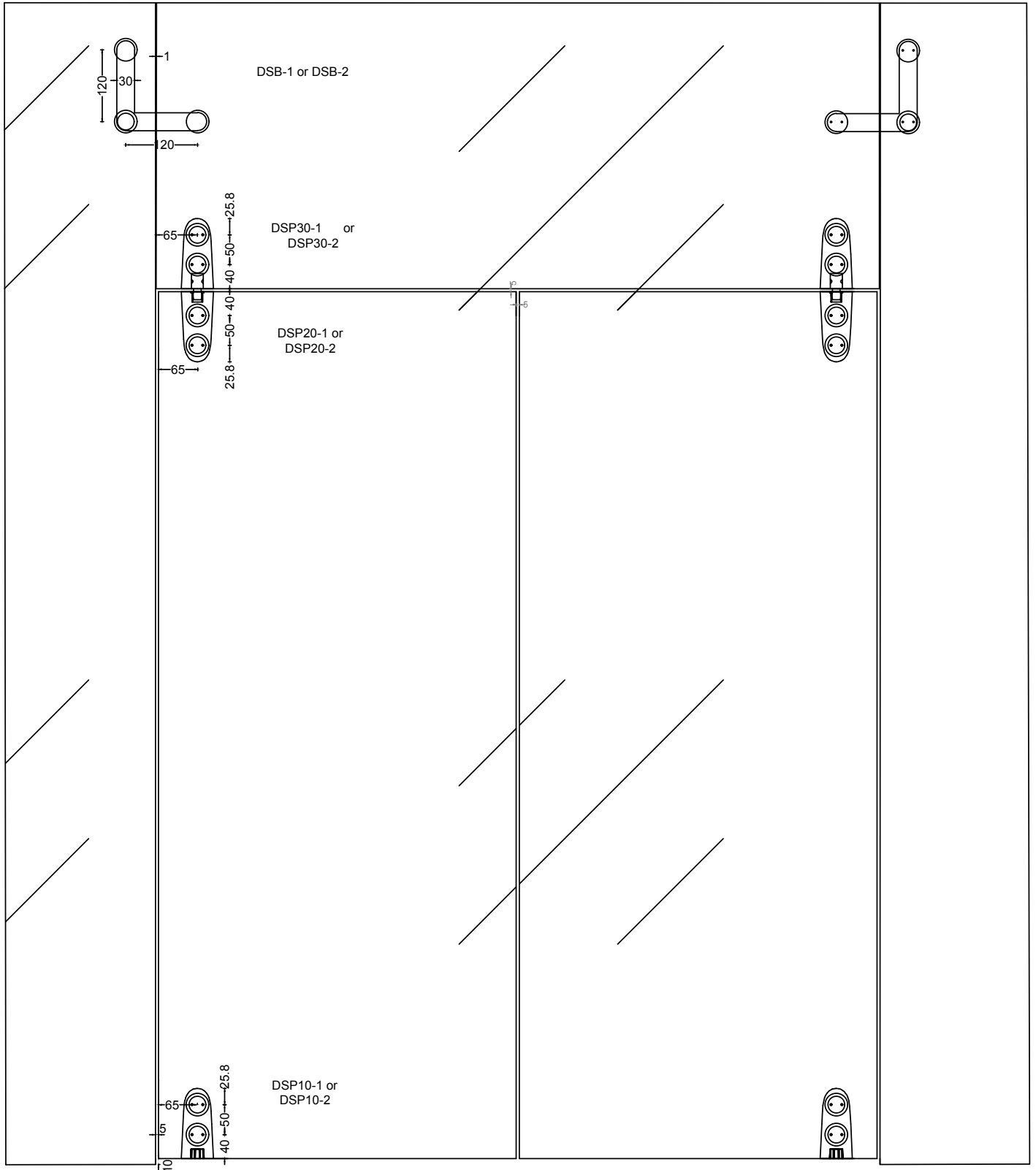
Glass thickness from 8 to 12 mm




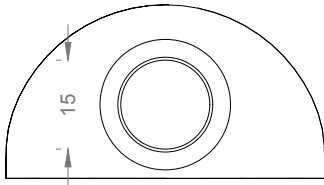

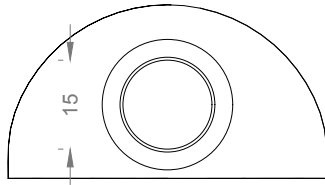
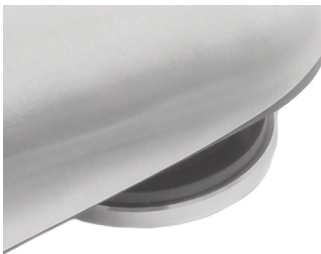

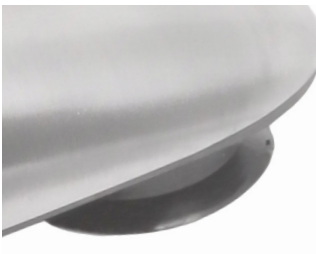

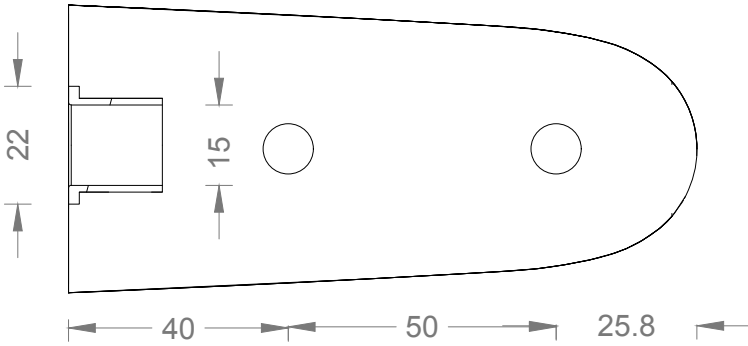
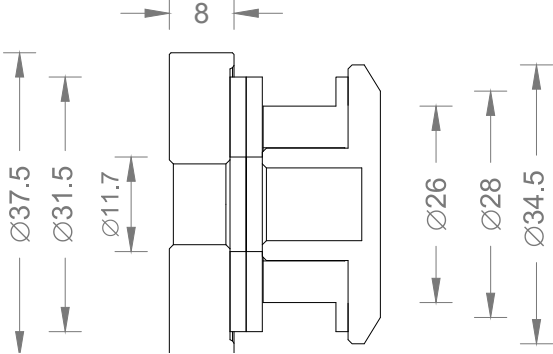
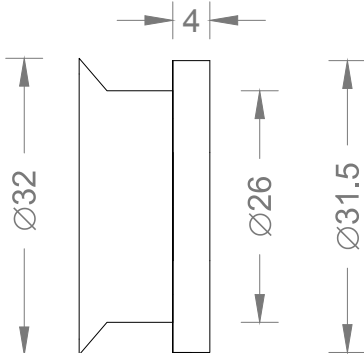
Glass thickness from 8 to 12 mm



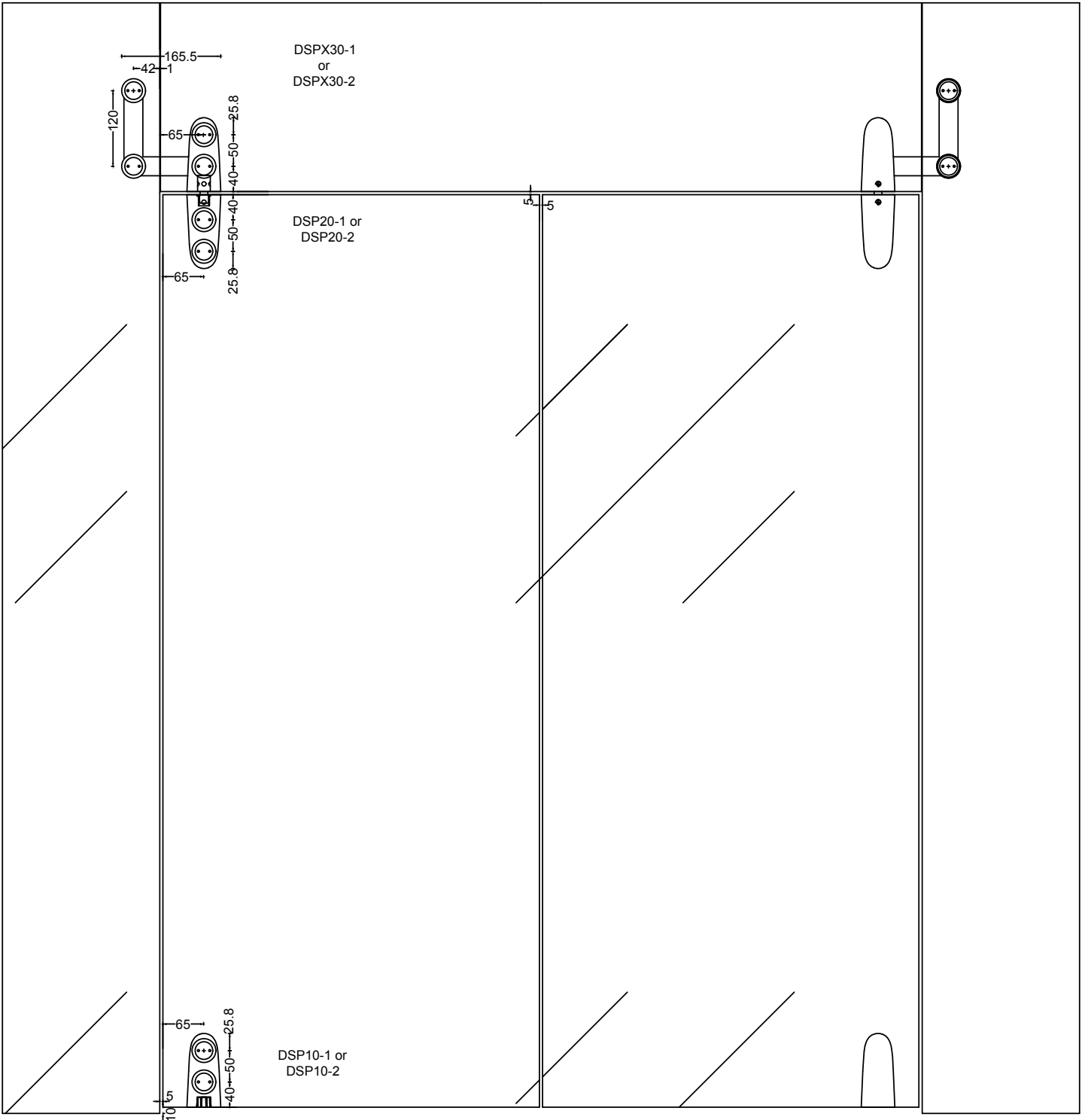
ITEM ILLUSTRATED AND DIMENSIONS			
DLP30-1		DLP30-2	
			
			
			
			
 <p>Glass thickness from 8 to 12 mm</p>		 <p>Glass thickness from 8 to 12 mm</p>	



ITEM ILLUSTRATED AND DIMENSIONS			
DSP10-1		DSP10-2	
<p>Glass thickness from 8 to 12 mm</p>		<p>Glass thickness from 8 to 12 mm</p>	

ITEM ILLUSTRATED AND DIMENSIONS			
DSP20-1		DSP20-2	
			
			
			
 <p>Glass thickness from 8 to 12 mm</p>		 <p>Glass thickness from 8 to 12 mm</p>	

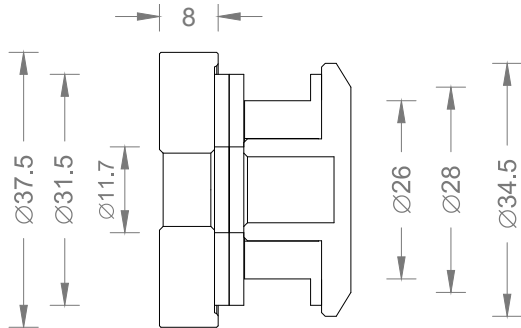
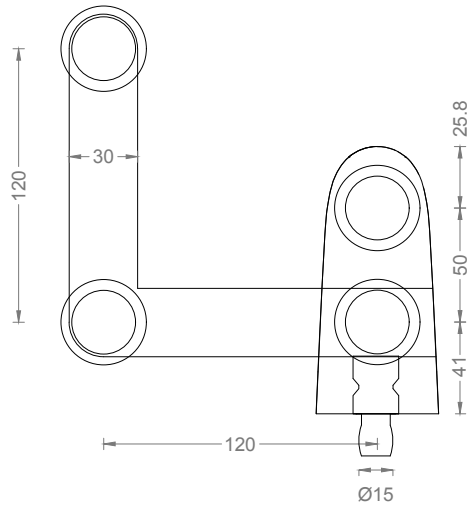
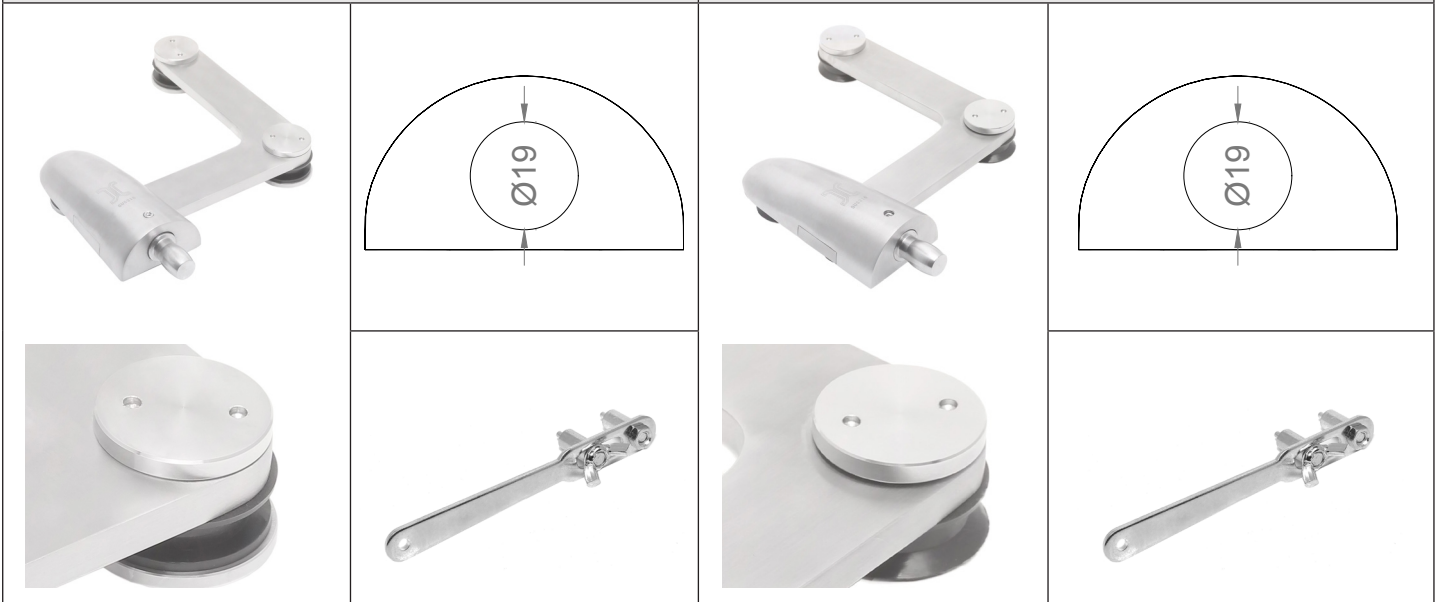
ITEM ILLUSTRATED AND DIMENSIONS			
DSP30-1		DSP30-2	
Glass thickness from 8 to 12 mm		Glass thickness from 8 to 12 mm	



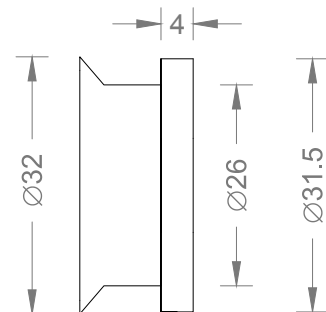
ITEM ILLUSTRATED AND DIMENSIONS

DSPX30-1

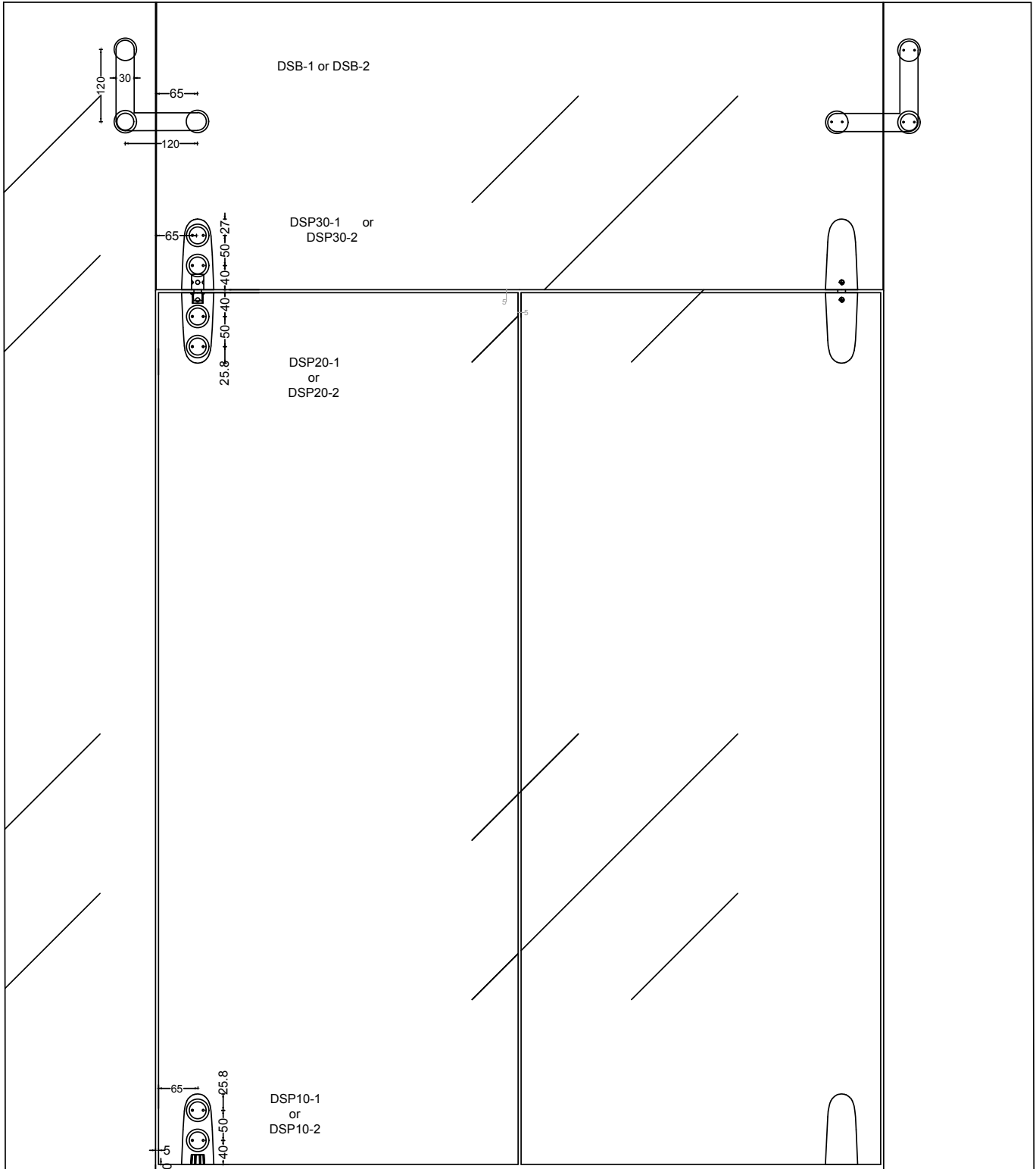
DSPX30-2





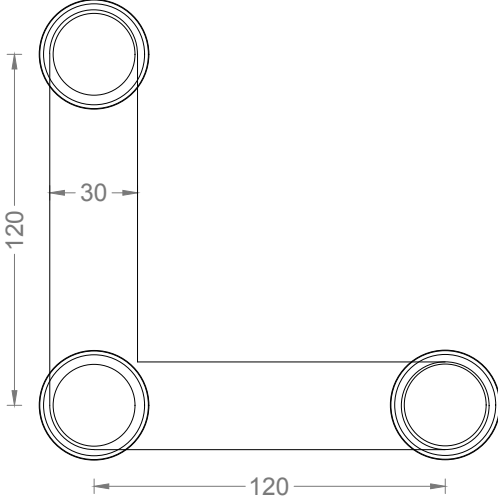
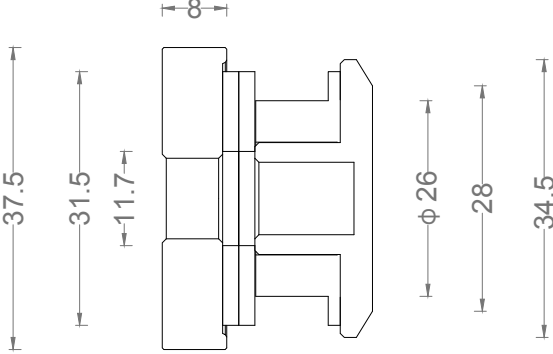
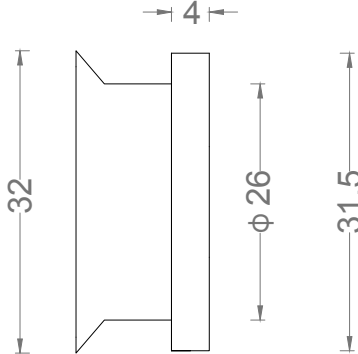


Glass thickness from 8 to 12 mm



Glass thickness from 8 to 12 mm



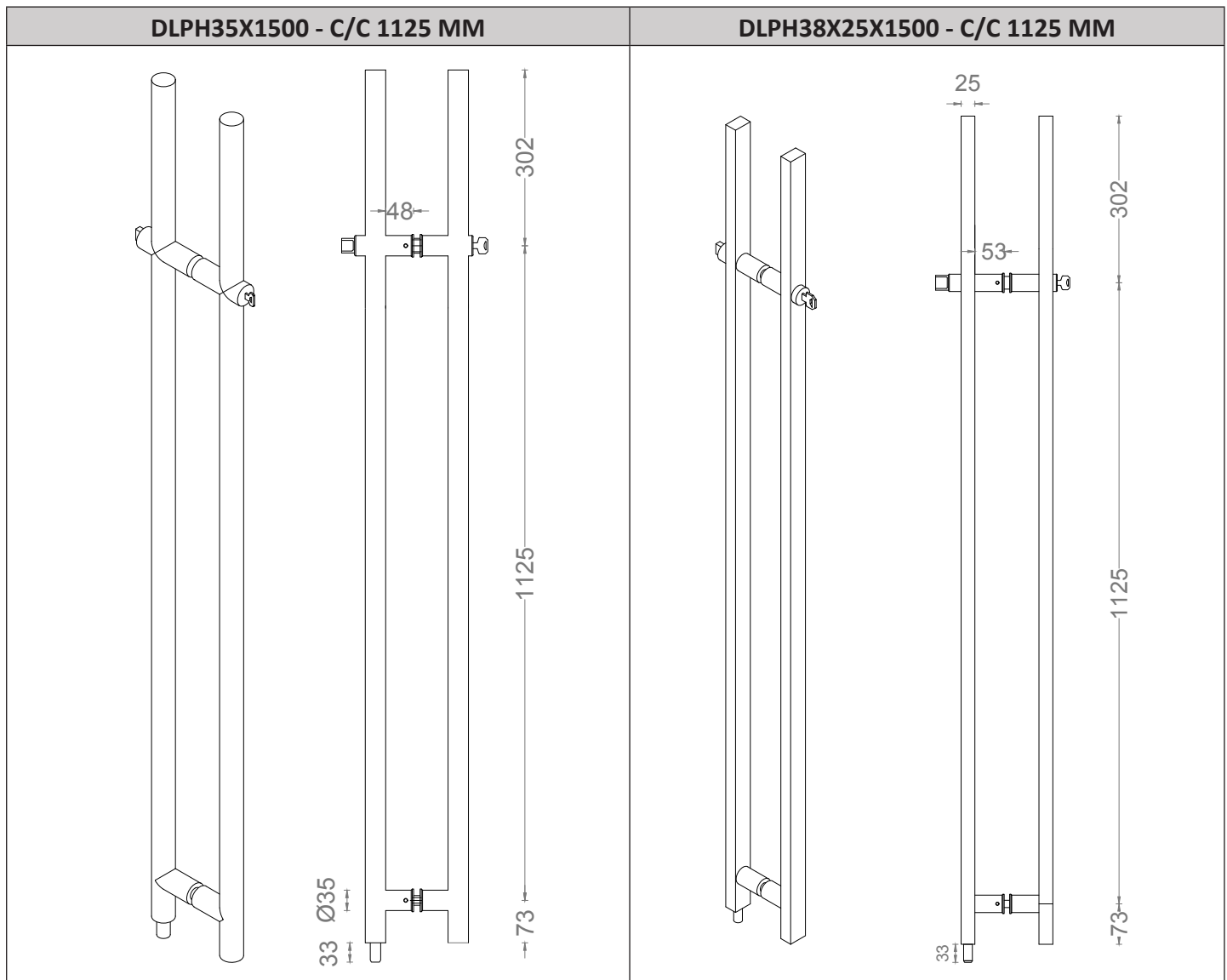
ITEM ILLUSTRATED AND DIMENSIONS			
DSB-1		DSB-2	
			
			
 <p>Glass thickness from 8 to 12 mm</p>		 <p>Glass thickness from 8 to 12 mm</p>	

ITEM ILLUSTRATED AND DIMENSIONS	
<p>DEB</p>	<p>9002</p>
	
<p>RRB-1</p>	<p>RRB-2</p>
	
<p>D9002X</p>	<p>RRBX</p>
	

ITEM CODE: DLPH SERIES

Features:

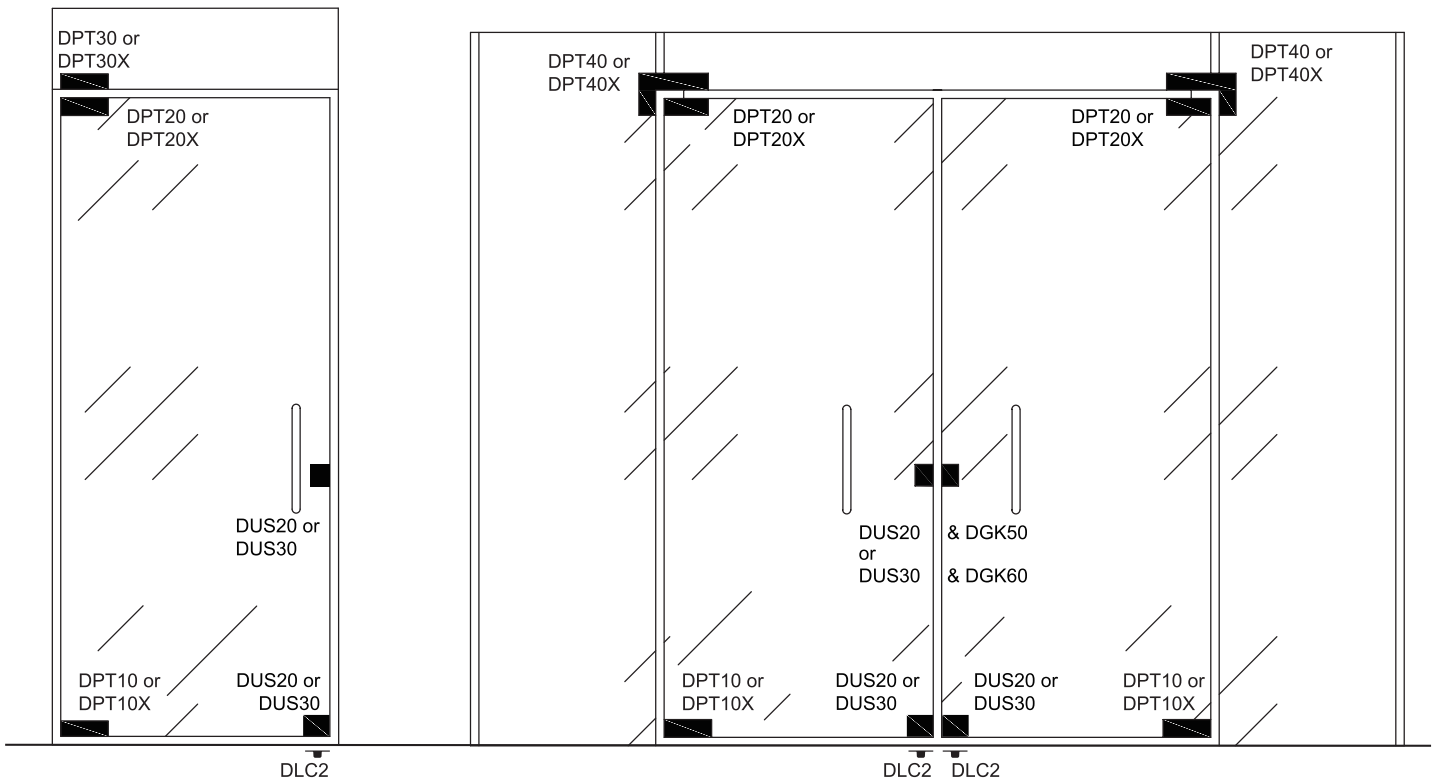
- Area of application: for glass doors
- Standard: Stainless steel EN 1.4301 (type SUS304)
- Optional: Stainless steel EN 1.4401 (type SUS316)
- Available design: Round (dia. 35 mm) and Rectangular (38x25 mm).
- Standard accessories: back-to-back.
- Standard available length: 1500 mm (Centre to centre 1125 mm). Optional lengths are available.
- Standard finish: Satin Stainless Steel (SSS). Other finishes are available upon request.

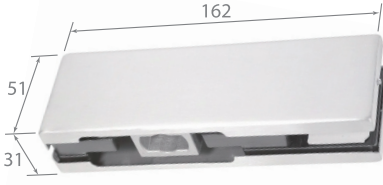
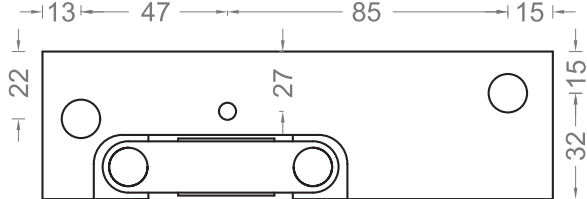
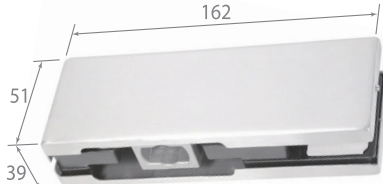
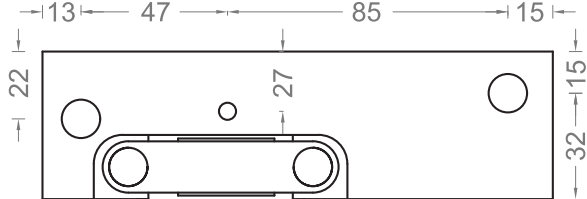
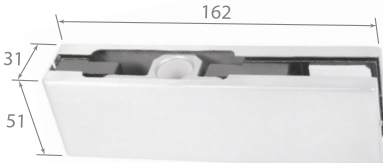
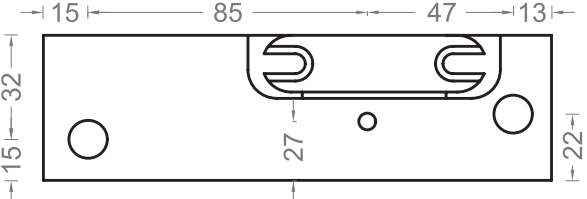
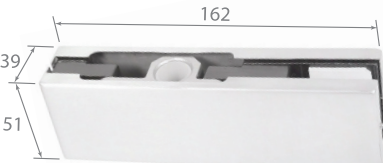
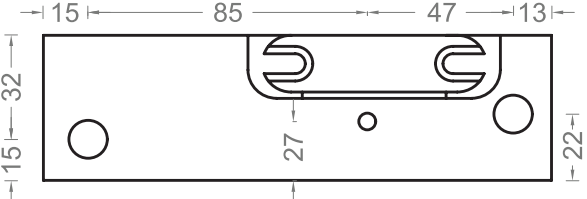
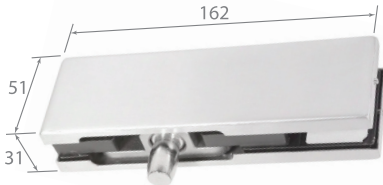
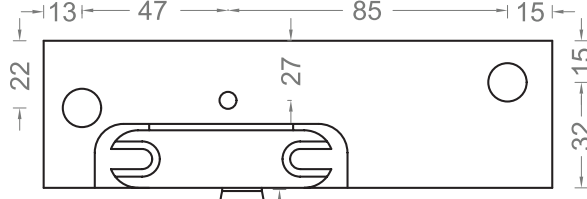
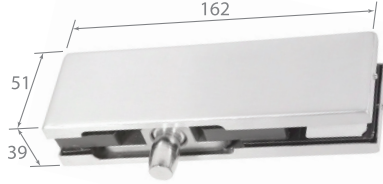
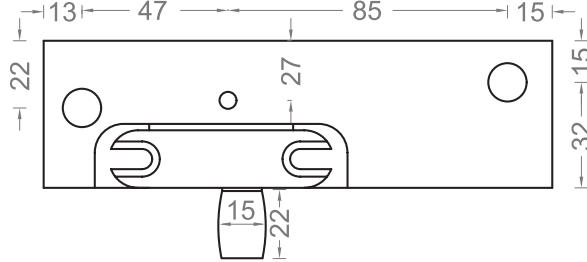


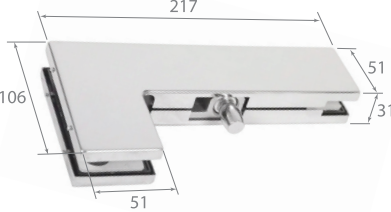
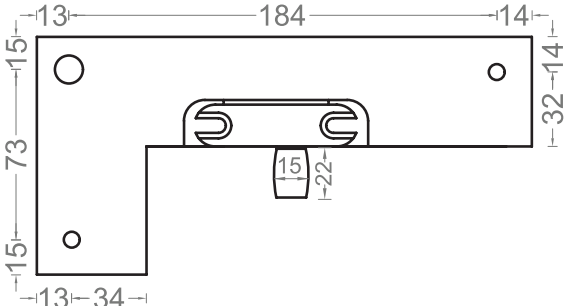
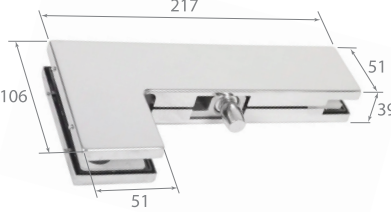
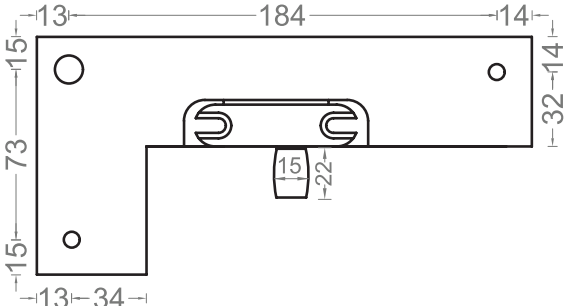
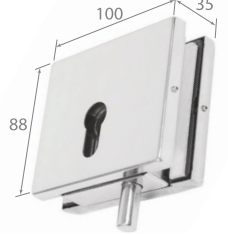
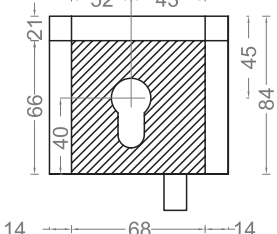
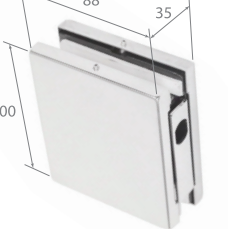
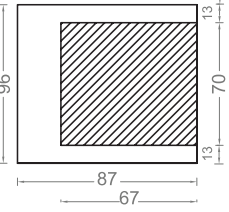
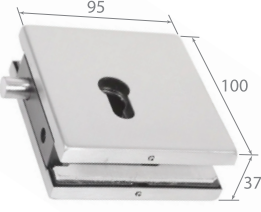
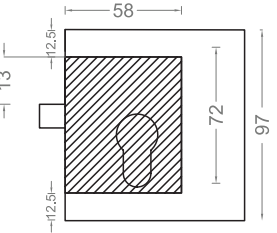
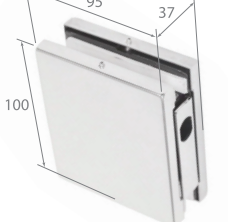
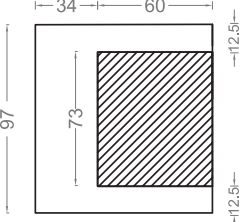
ITEM CODE: PATCH FITTINGS (DPT), LOCKS and CLAMPS (DX)

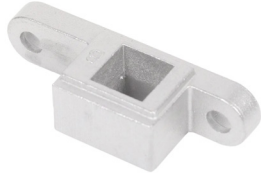
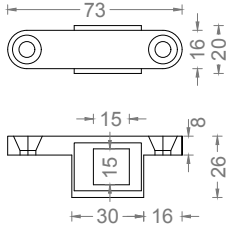

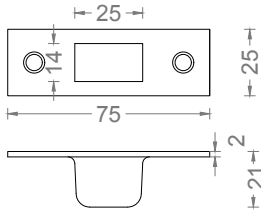

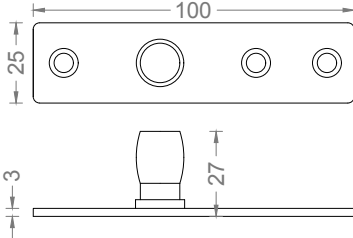

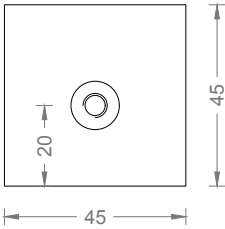

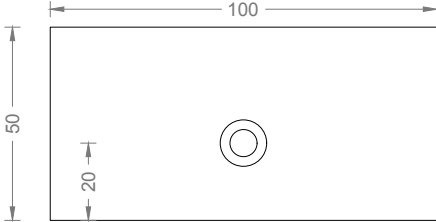

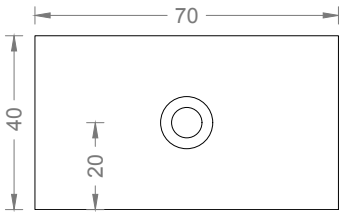
Features:


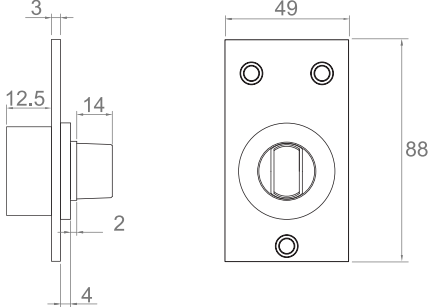

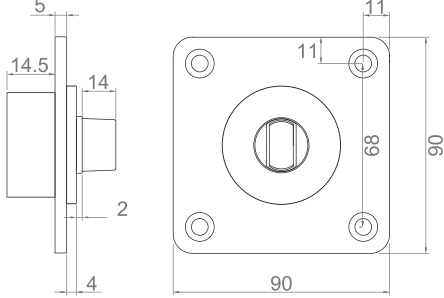

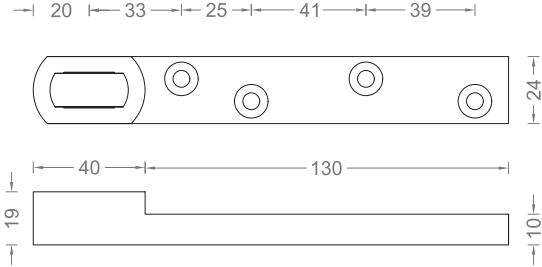
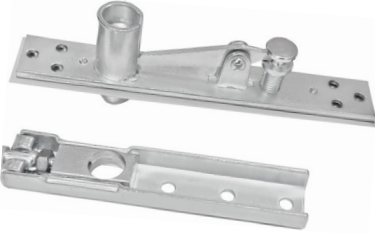
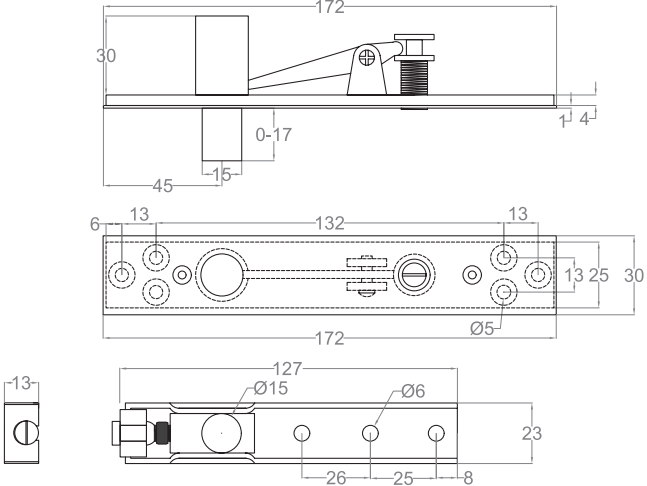
- DPT standard body material and thickness: Aluminum, 7 mm.
- DPT heavy-duty body material and thickness: Aluminum, 13 mm
- DPT standard cover: Satin or Polished Stainless steel EN 1.4401 (type 316), 0.8 mm thickness.
- DPT heavy-duty cover: Satin or Polished Stainless steel EN 1.4301 (type 304), 1 mm thickness.
- Middle locks (DUS20 or DUD30) and receivers/strikes (DGK50 or DGK60) cover thickness & body thickness: Aluminum, 0.6 mm.
- DPT is suitable for max door weight: 80 kg and maximum door width: 1100 mm.
- DPT heavy-duty is designed for max door weight: 150 kg.
- DPT, DUS20, DGK50 and DX are suitable for glass door thickness: 8-12 mm
- DPT heavy-duty is suitable for glass door thickness: up to 22 mm, supplied with longer screws.
- Complete with screws and cushion parts.
- Other finishes are available upon request.


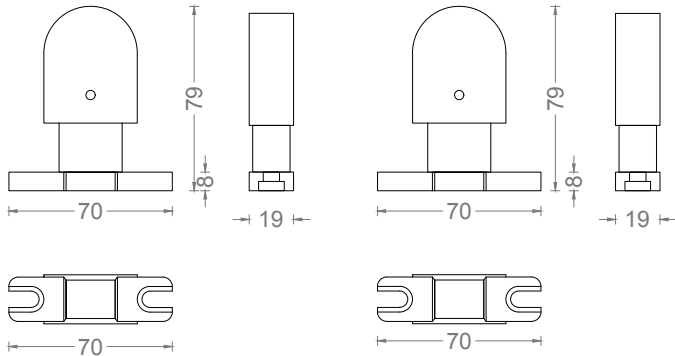

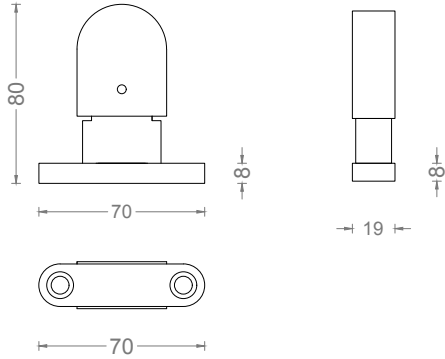

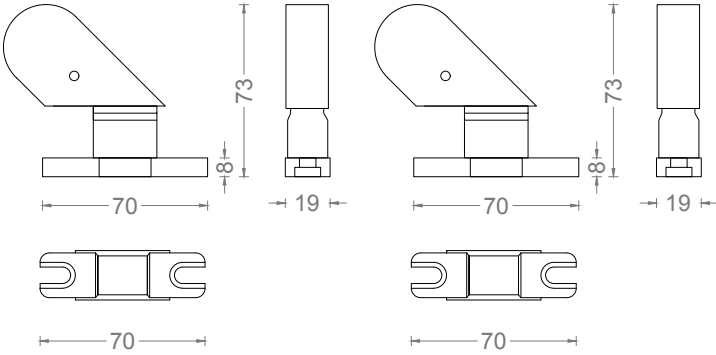

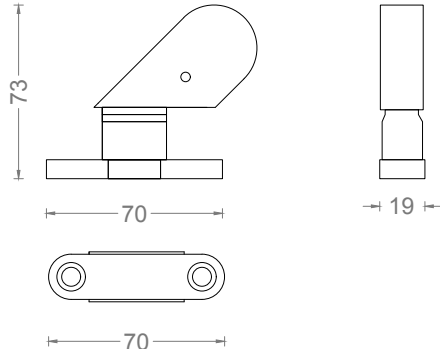


ITEM #	ITEM Photo	ITEM ILLUSTRATED AND DIMENSIONS
DPT10 BOTTOM CLAMP		
DPT10X BOTTOM CLAMP		
DPT20 UPPER CLAMP		
DPT20X UPPER CLAMP		
DPT30B TOP CLAMP WITH WALL PLATE		
DPT30X TOP CLAMP WITH WALL PLATE		

ITEM #	ITEM Photo	ITEM ILLUSTRATED AND DIMENSIONS
<p>DPT40 CORNER CLAMP</p>		
<p>DPT40X CORNER CLAMP</p>		
<p>DUS20 SQUARE LOCK</p>		
<p>DGK50 SQUARE RECEIVER FOR DUS20</p>		
<p>DUS30 SQUARE LOCK</p>		
<p>DGK60 SQUARE RECEIVER FOR DUS30</p>		

ITEM #	ITEM Photo	ITEM ILLUSTRATED AND DIMENSIONS
DG2 RECTANGULAR HEAD FOR DPT10 or DPT10X		
DLC2 LOCK CATCH FOR SQUARE LOCK DUS20		
DP2 TOP PIVOT FOR DPT20 or DPT20X		
DX1 CLAMP 45X45X4MM		
DX2 CLAMP 100X50X4MM		
DXX CLAMP 70X40X4MM		

ITEM #	ITEM Photo	ITEM ILLUSTRATED AND DIMENSIONS
<p>DP3 FLOOR MOUNTED PIVOT</p>		
<p>DP3-300 FLOOR MOUNTED PIVOT</p>		
<p>DP4 BOTTOM DOOR STRAP</p>		
<p>DP5 RETRACTABLE TOP PIVOT & ADJUSTABLE TOP CENTER</p>		

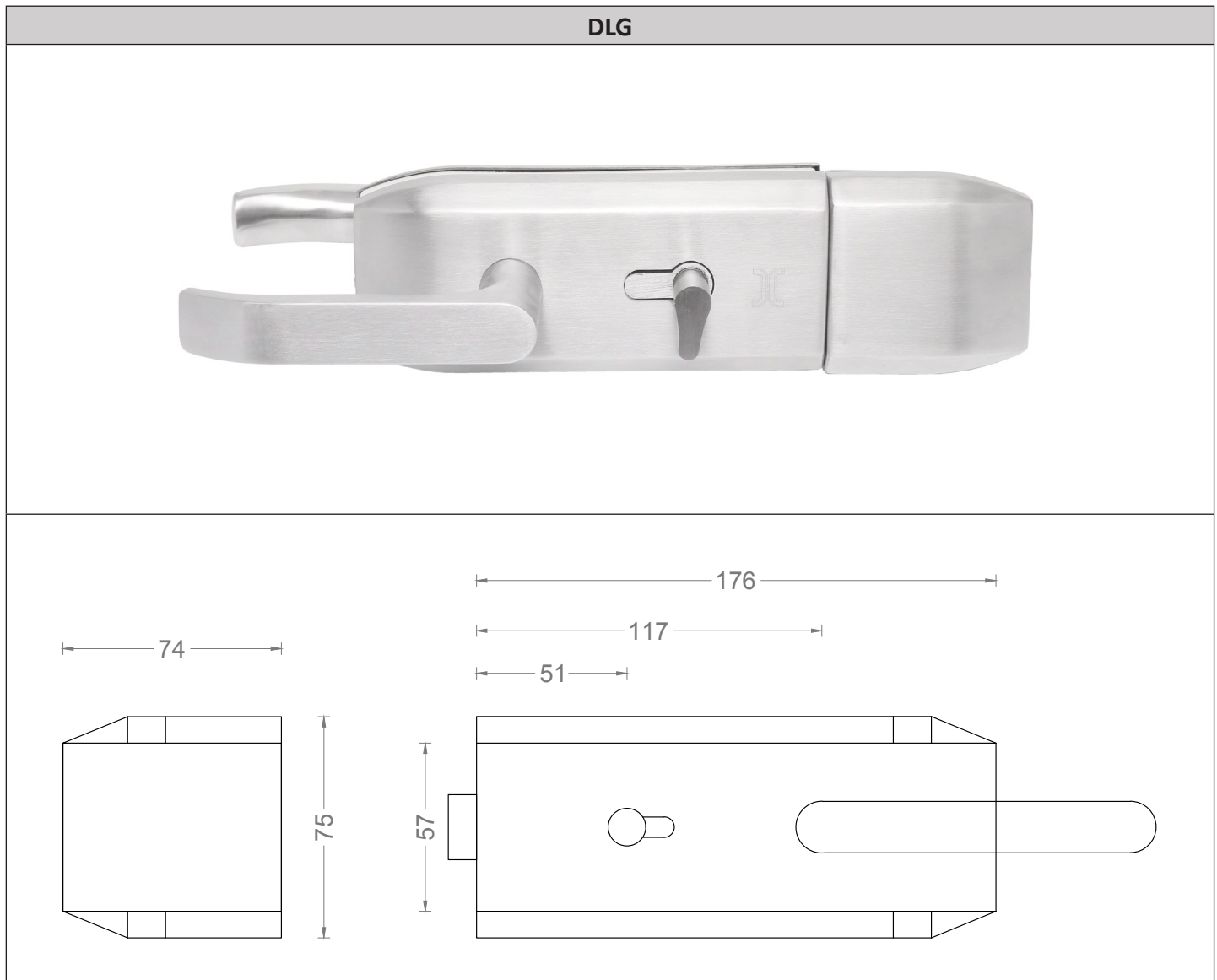
ITEM #	ITEM Photo	ITEM ILLUSTRATED AND DIMENSIONS
<p>DG3-90 TOP</p>		
<p>DG3-90 BOTTOM</p>		
<p>DG3-135 TOP</p>		
<p>DG3-135 BOTTOM</p>		

ITEM CODE: DLG

Glass door lock with handle and Europrofile cylinder

Features:

- Area of application: for glass doors
- Standard: Stainless steel EN 1.4301 (type SUS304)
- Optional: Stainless steel EN 1.4401 (type SUS316)
- Includes Euro Cylinder (thumb turn from inside and key from outside) and lever handle.
- Standard finish: Satin Stainless Steel (SSS). Other finishes are available upon request.

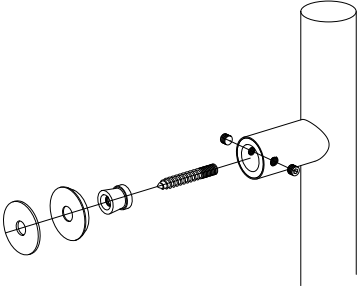
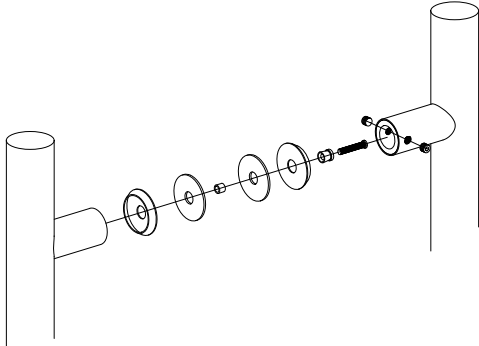
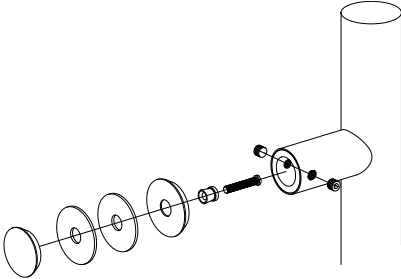
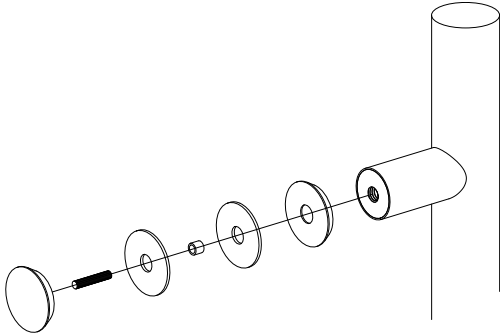


ITEM CODE: DPH PULL HANDLES SERIES

Features:

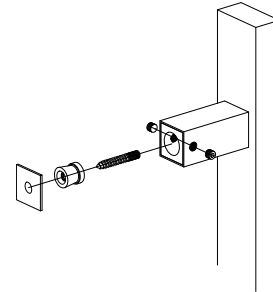
- Area of application: for wood, steel or glass doors
- Standard: Stainless steel EN 1.4301 (type SUS304). Optional: Stainless steel EN 1.4401 (type SUS316)
- Available in round and rectangular design
- Accessories are available in back-to-back, bolt fix and concealed fixing
- Standard available lengths: 1650 mm, 1200 mm, 900 mm and 600 mm for round design. 1500 mm, 1200 mm and 600 mm for rectangular design. Optional lengths are available.
- Standard finish: Satin Stainless Steel (SSS). Other finishes are available upon request.

DPH32X1650 DPH32X1200 DPH32X900 DPH32X600	DPH20X40X1500 DPH20X40X1200 DPH20X40X600
DPHUD32X1650 DPHUD32X1200 DPHUD32X900 DPHUD32X600	DPHUD20X40X1500 DPHUD20X40X1200 DPHUD20X40X600

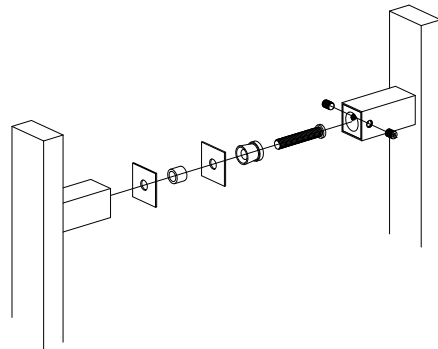
ACCESSORIES TYPE SUITABLE FOR ROUND PULL HANDLES	
<p>CONCEALED FIXING – ACC X FOR WOOD DOORS DRILLED PULL HANDLES</p>	
<p>BACK TO BACK – ACC D FOR WOOD, STEEL AND GLASS DOORS DRILLED AND UNDRILLED PULL HANDLES</p>	
<p>BOLT FIX – ACC 5B FOR WOOD AND STEEL DOORS DRILLED PULL HANDLES</p>	
<p>BOLT FIX – ACC 4B FOR WOOD, STEEL AND GLASS DOORS UNDRILLED PULL HANDLES</p>	

ACCESSORIES TYPE SUITABLE FOR RECTANGULAR PULL HANDLES

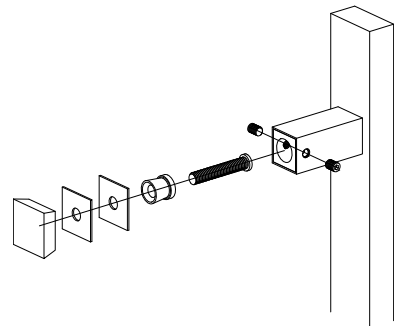
**CONCEALED FIXING – ACC X1
FOR WOOD DOORS
DRILLED PULL HANDLES**



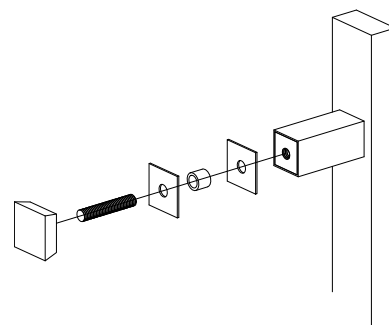
**BACK TO BACK – ACC A
FOR WOOD, STEEL AND GLASS DOORS
DRILLED AND UNDRILLED PULL HANDLES**



**BOLT FIX – ACC C
FOR WOOD AND STEEL DOORS
DRILLED PULL HANDLES**



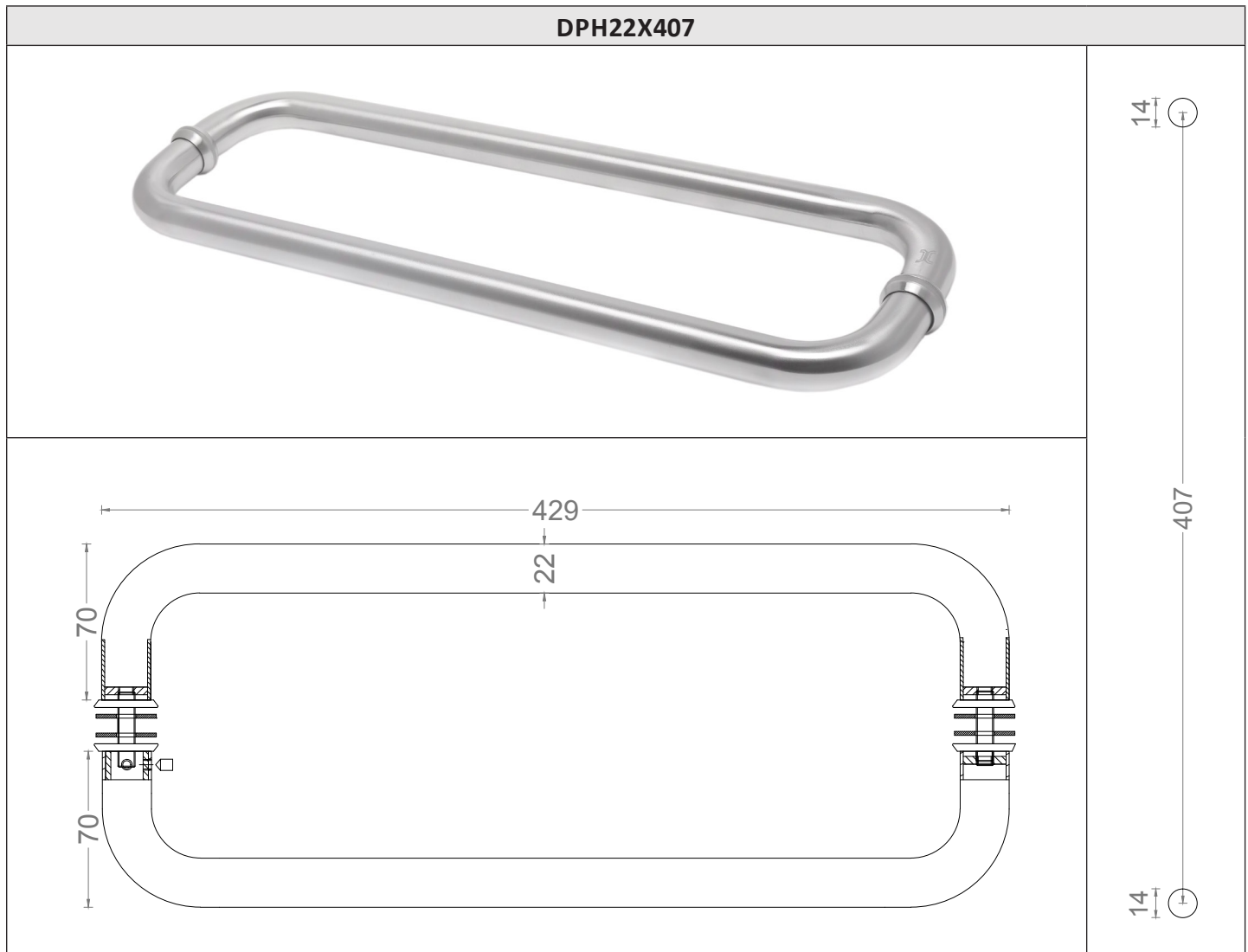
**BOLT FIX – ACC B
FOR WOOD, STEEL AND GLASS DOORS
UNDRILLED PULL HANDLES**



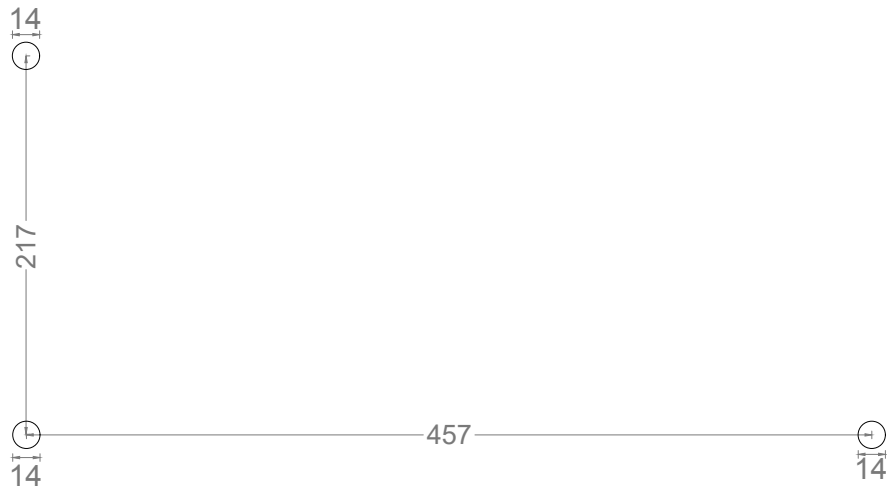
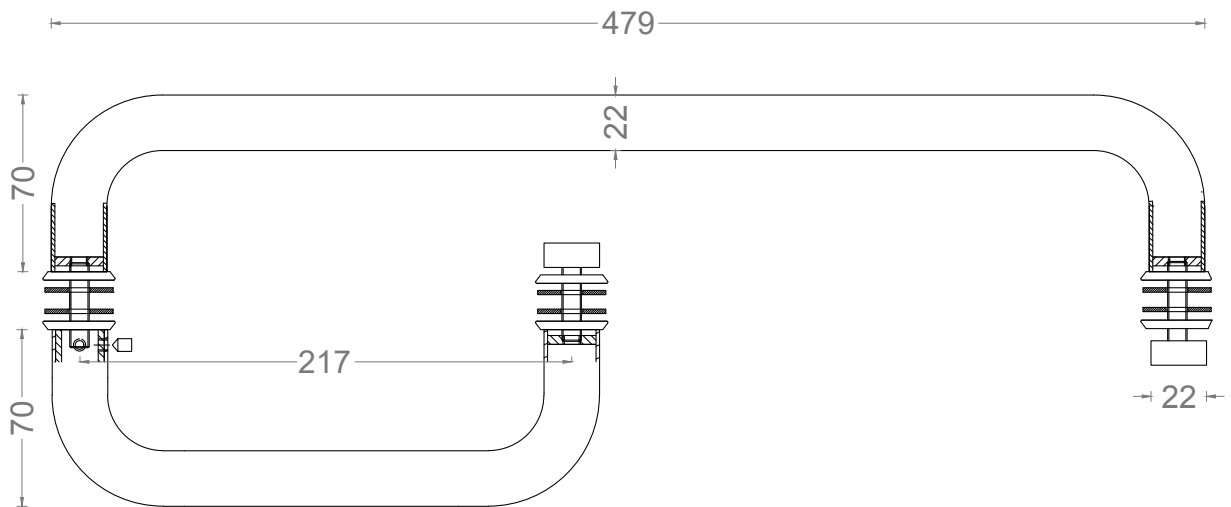
ITEM CODE: DPH22 SERIES
SHOWER FRAMELESS GLASS DOORS PULL HANDLES

Features:

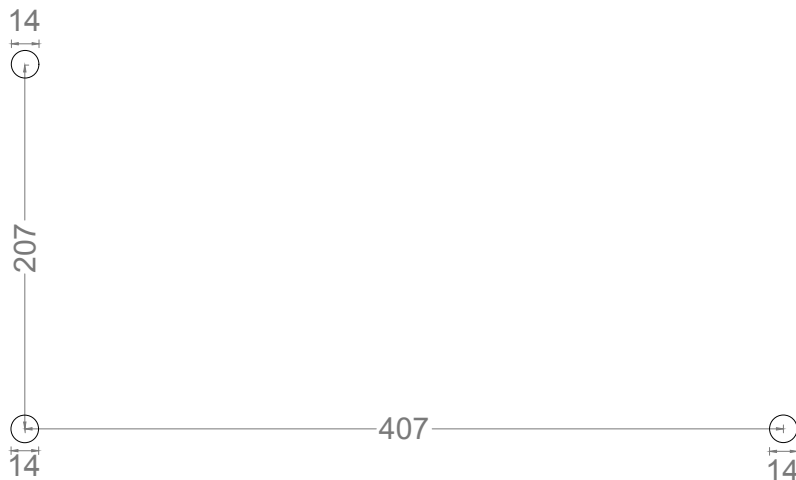
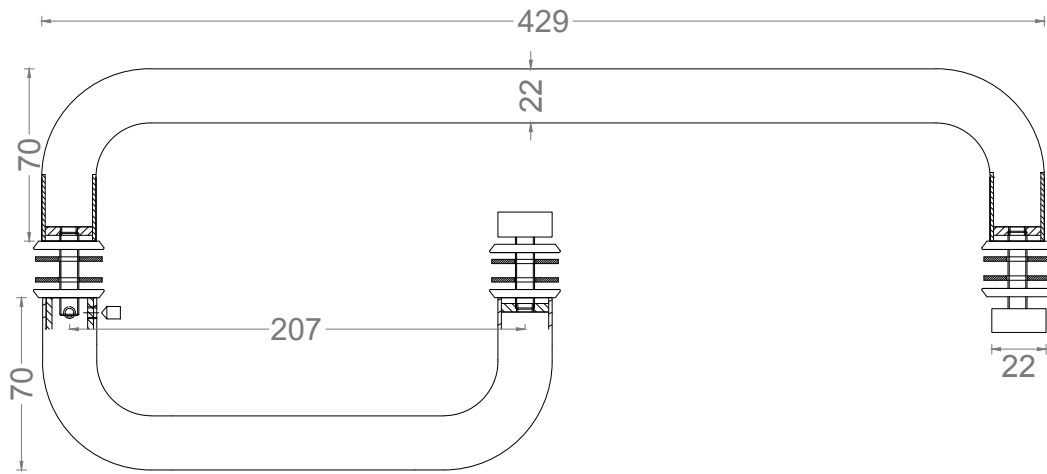
- Area of application: for shower frameless tempered glass doors.
- Standard: Stainless steel EN 1.4301 (type SUS304)
- Optional: Stainless steel EN 1.4401 (type SUS316)
- Complete with fixing screws, gasket and Allen key.
- Tube diameter 22mm, thickness 1.5mm
- Glass door thickness: 8 to 12 mm.
- Standard finish: Satin or Polished Stainless Steel. Other finishes are available upon request.



DPH22X457X217





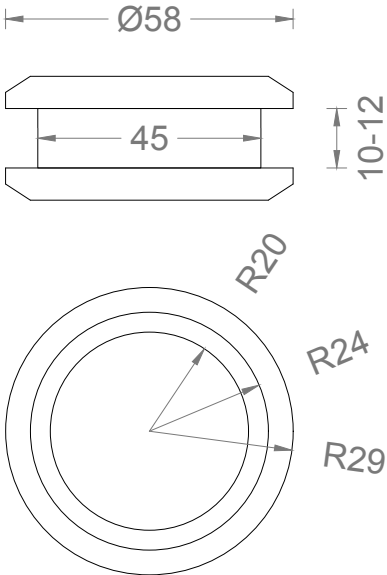
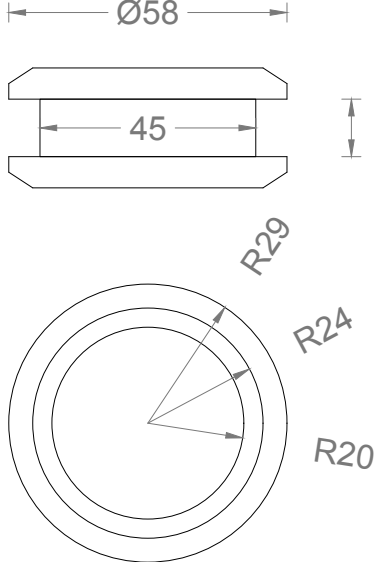
DPH22X407X207



ITEM CODE: DSFP SERIES
SLIDING SHOWER DOOR FINGER PULL

Features:



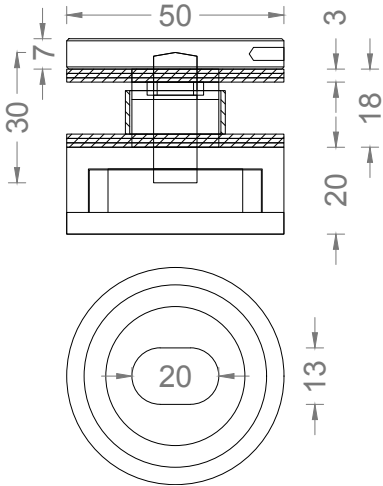
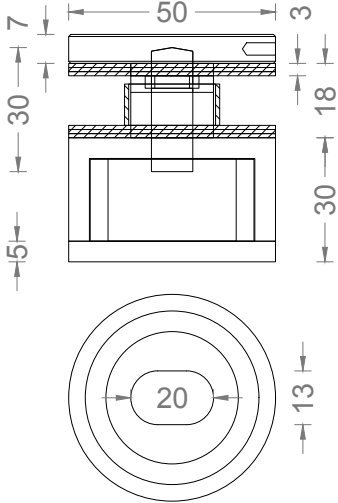
- Area of application: for glass doors.
- Standard: Stainless steel EN 1.4301 (type SUS304)
- Door thickness: 10 to 12 mm.
- Standard finish: Satin or Polished Stainless Steel. Other finishes are available upon request.

DSFP-1	DSFP-2
	
	

ITEM CODE: DGS-20 and DGS-30
MULTI DIRECTIONAL ADJUSTABLE GLASS STANDOFFS

Features:

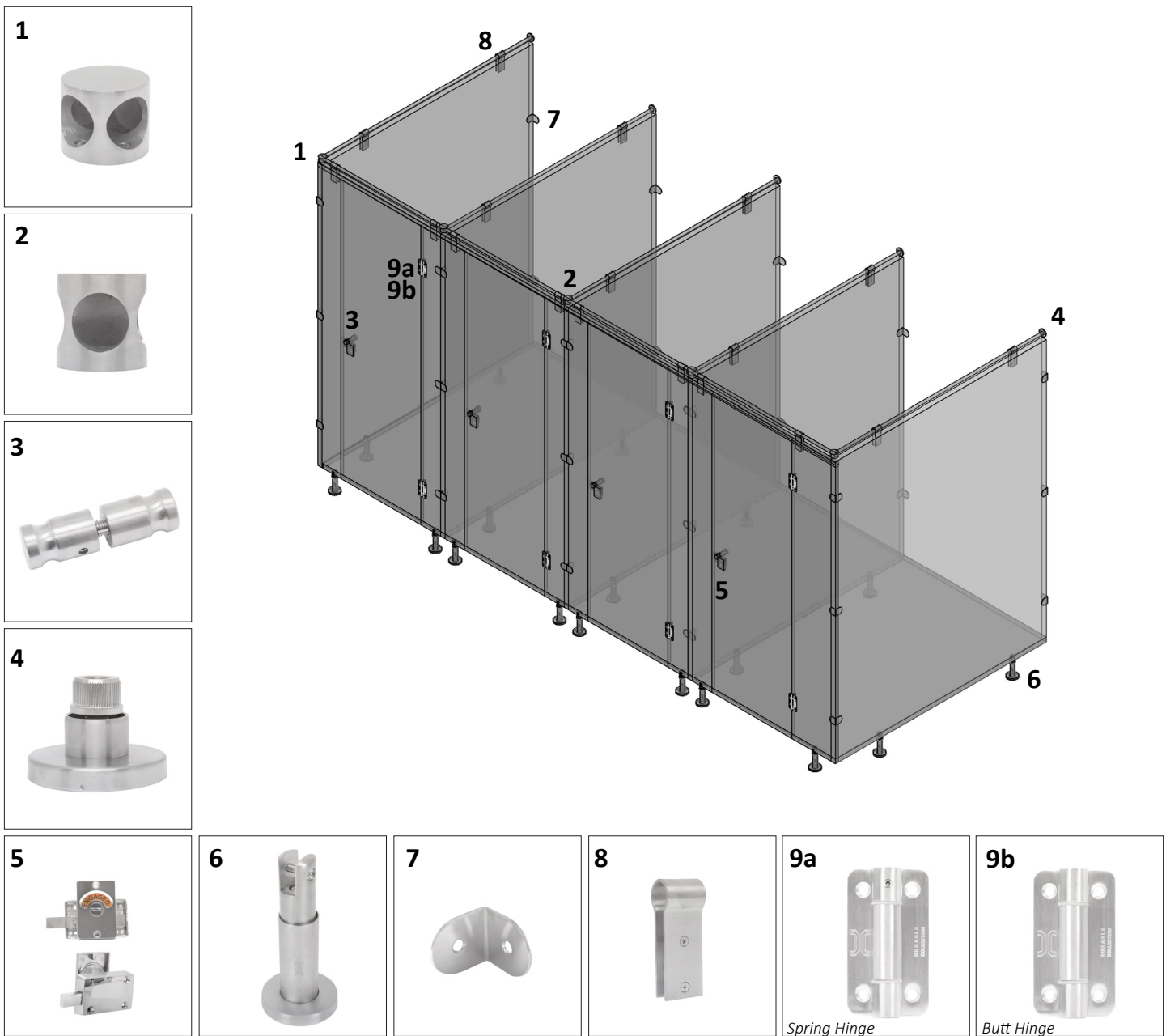
- Area of application: For glass panels.
- Standard: Stainless steel EN 1.4301 (type SUS304)
- Suitable for glass thickness: up to 18mm.
- Multi directional.
- Unique back fixing plate that can extend.
- No need for extra shims or spacers when the fixing surface is not in perfectly level condition.
- Standard finish: Satin Stainless Steel. Other finishes are available upon request.

DGS-20	DGS-30
	
	

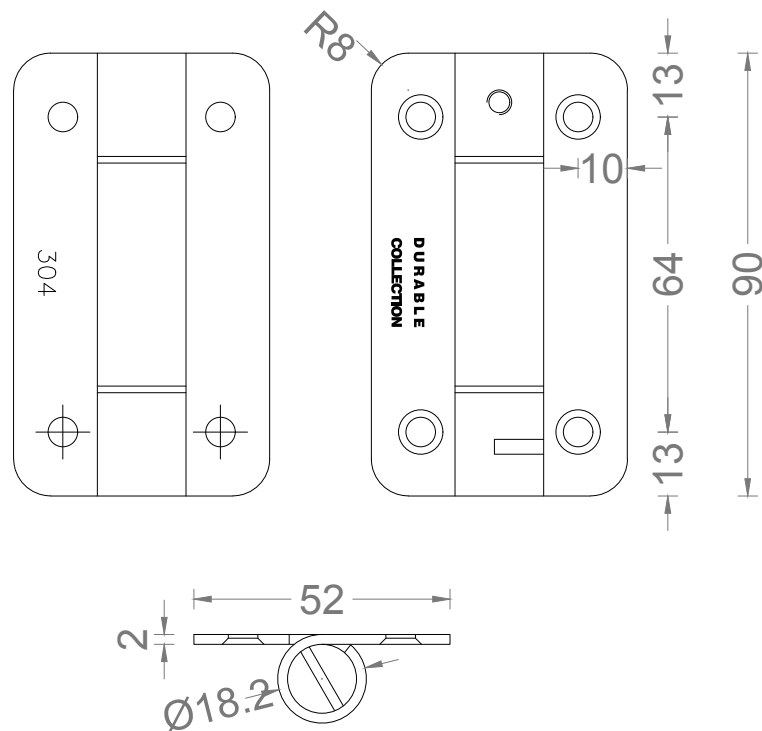
**ITEM CODE: DCPF SERIES
CUBICLE PARTITION FITTINGS**

Features:

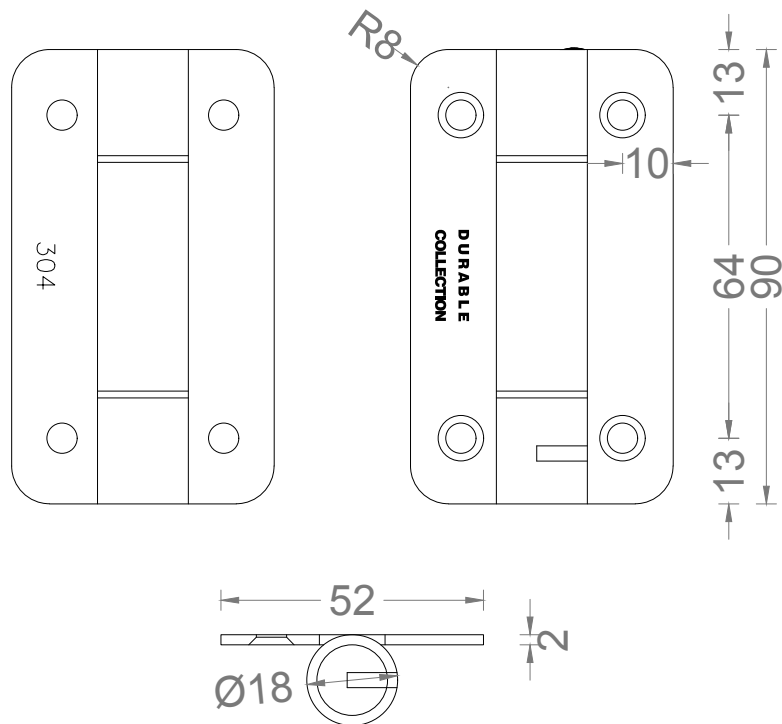
- Area of application: Cubicle partition.
- Standard: Stainless steel EN 1.4301 (type SUS304)
- Suitable for glass thickness: up to 14mm.
- Standard finish: Satin Stainless Steel. Other finishes are available upon request.



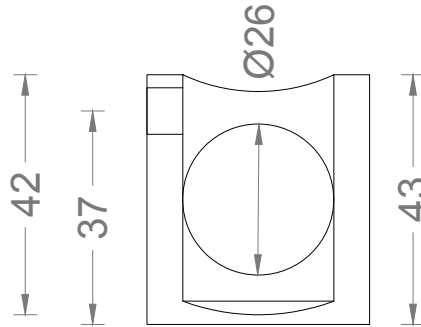
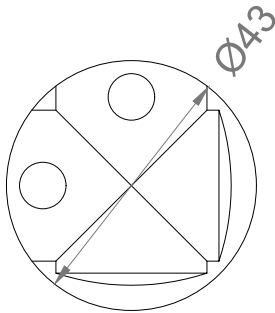
DSH3522



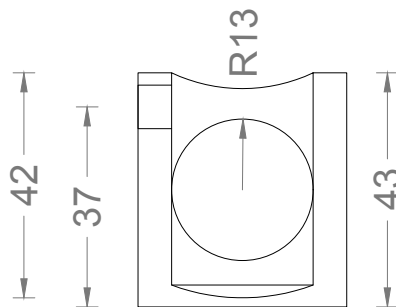
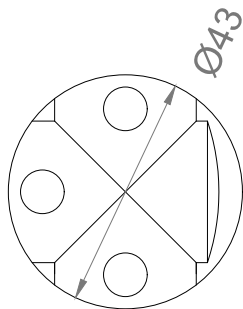
HG3.522SS304



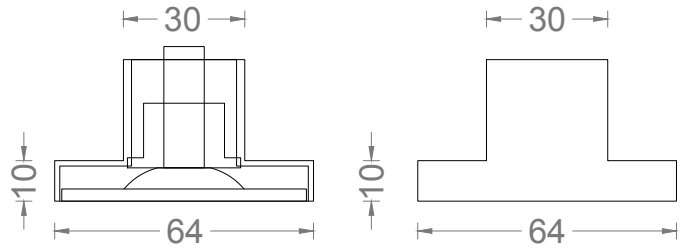
DCPF-1



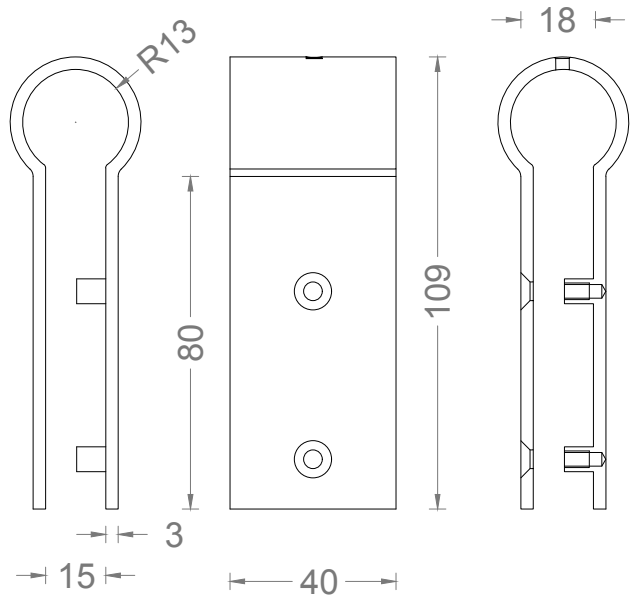
DCPF-2



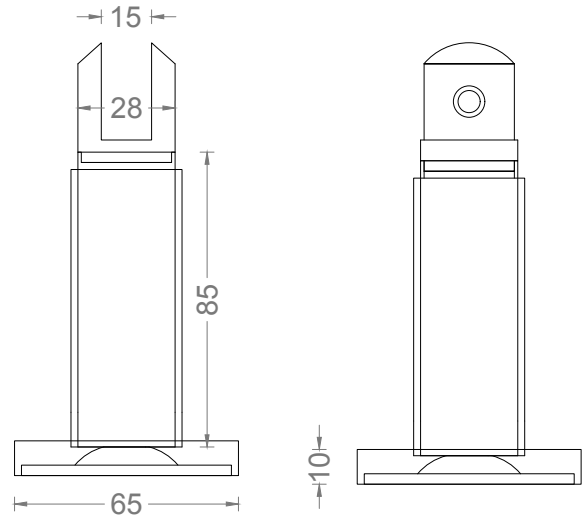
DCPF-3



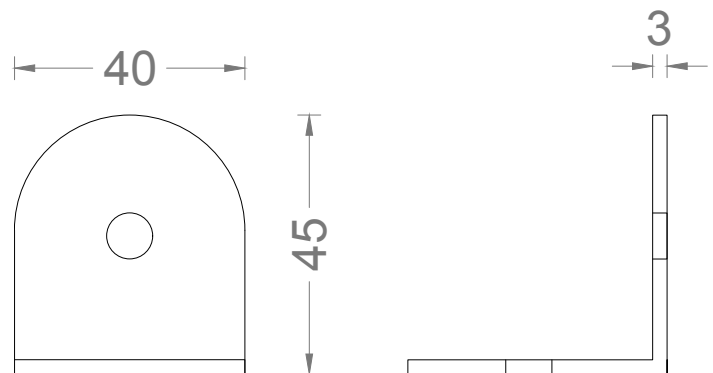
DCPF-4



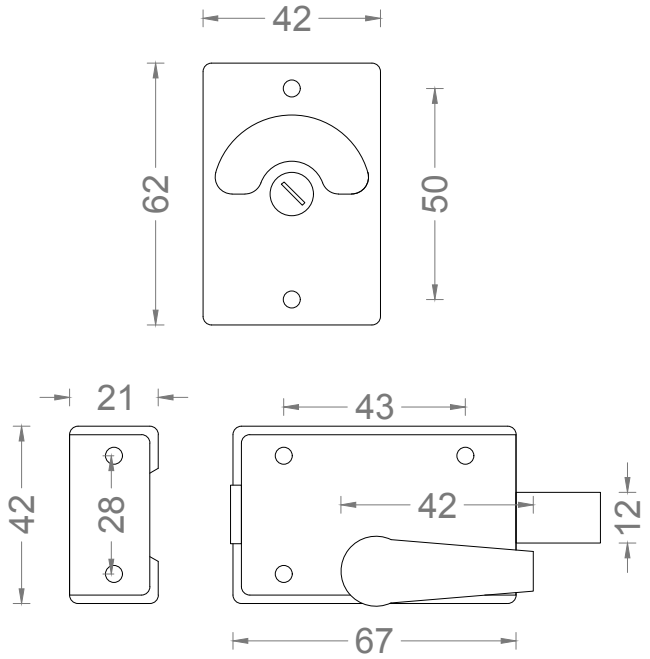
DCPF-5



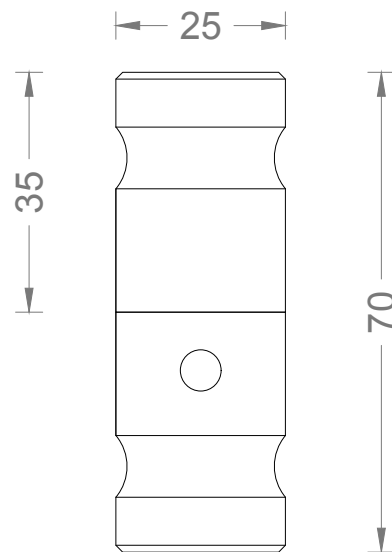
DCPF-6



DCPF-7



DCPF-8



ITEM CODE: DSH301 & DSH303
SHOWER HINGES FOR FRAMELESS GLASS DOORS

Features:

- Area of application: for frameless glass doors.
- Material: solid brass.
- Door thickness: 8 to 12 mm.
- Includes gasket, hexagon socket head screws and Allen key.
- Maximum glass doors: 30 kgs with 2 hinges.
- Automatic closing from opening angle 25°
- Wall to glass 90° (DSH301) and glass to glass 180° (DSH303).
- Standard finish: Satin or Bright Chrome.
- Other finishes are available upon request.

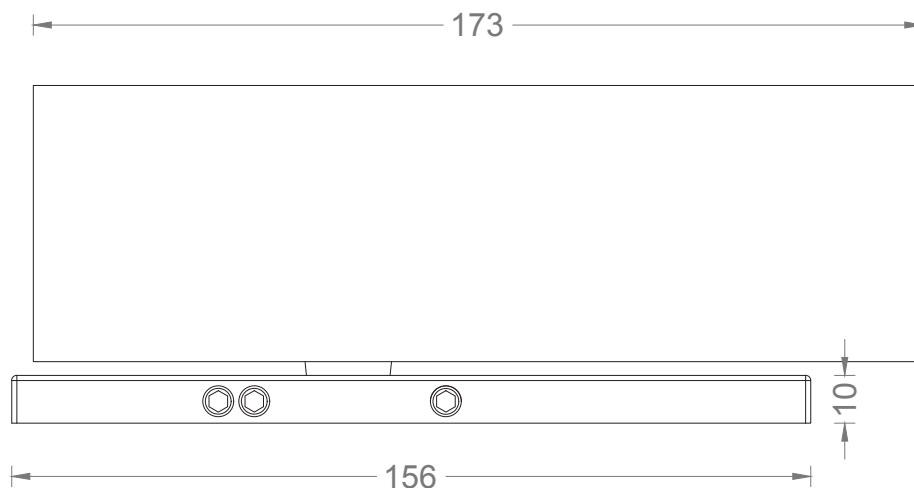
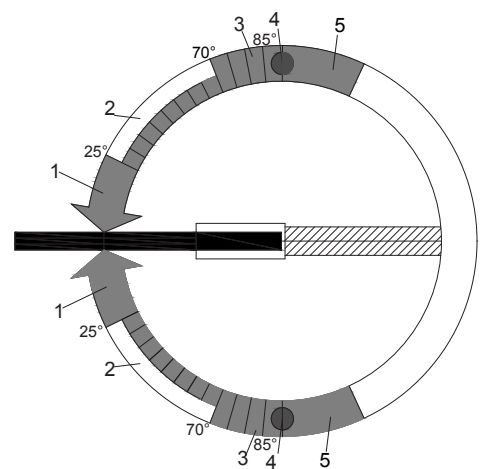
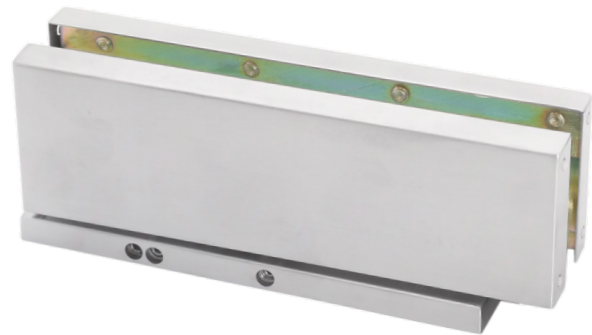


DSH301	DSH303

ITEM CODE: DPC109-100, DPC108-100, DTP101 & DTP100
DPC109-100

Features:

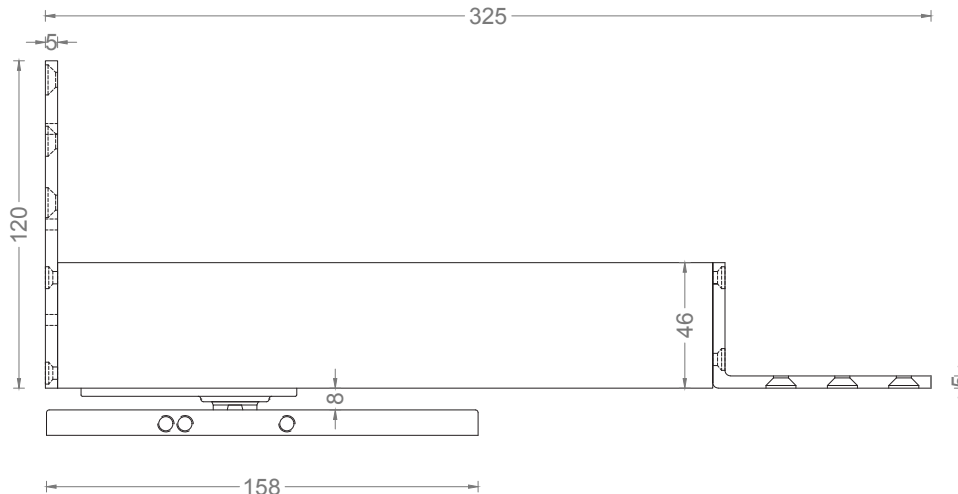
- Surface mounted pivot closer.
- Double action.
- Self-closing range when door is between 70°- 85°.
- Closing speed control via two independent adjustment valves (0°-25° and 25°-70°).
- Maximum door weight 100 kgs.
- Maximum door leaf width 1050 mm.
- Non handed.
- Hold open 90°.
- Maximum opening angle 125°.
- For glass door thickness (from 10 to 13.5 mm glass thickness).
- Simple final adjustment (3 mm backward/forward, 3 mm left/right).
- Complete with fixing screws for wood floor and anchors bolts for concrete floor.
- Complete with two types of gasket.
- Door stop is recommended to limit the opening angle.
- Refer to manual provided with the unit for notching glass details and installation instructions.
- Standard finish: Hairline.
- Other finishes available upon request.



DPC108-100

Features:

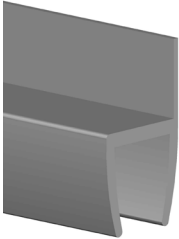
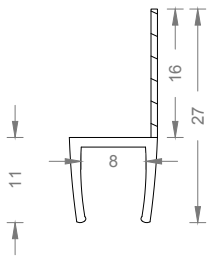

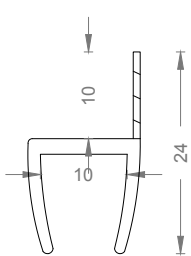

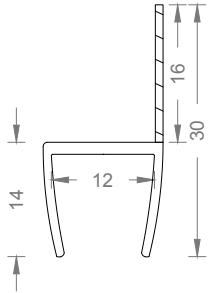
- Surface mounted pivot closer.
- Double action.
- Self-closing range when door is between 70°- 85°.
- Closing speed control via two independent adjustment valves (0°-25° and 25°-70°).
- Maximum door weight 100 kgs.
- Maximum door leaf width 1050 mm.
- Non handed.
- Hold open between 90°-125°, Maximum opening angle 125°.
- For wood door thickness (Minimum 40 mm thickness).
- Simple final adjustment (3 mm backward/forward, 3 mm left/right).
- Self-aligned when door reaches initial position.
- Complete with fixing screws for wood floor and anchors bolts for concrete floor.
- Doorstop is recommended to limit the opening angle.
- Refer to manual provided with the unit for notching glass details and installation instructions.
- Standard finish: Hairline
- Other finishes available upon request.

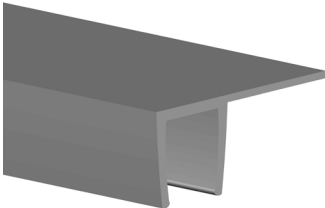
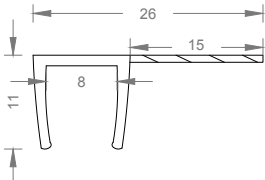
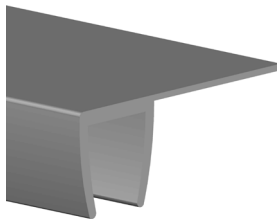
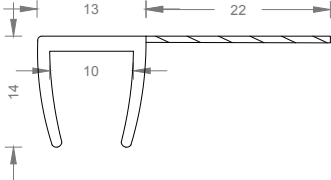


ITEM CODE: DSG SERIES

Features: SUPER-CLEAR GLASS DOORS SEALS

- Area of application: For sliding and swinging glass doors.
- Material: PC & PVC waterproof seals.
- Available: several lengths and thicknesses. Magnet seals for holding the doors in closed position.
- Snap-on easy to install.
- Standard finish: Super-clear seals

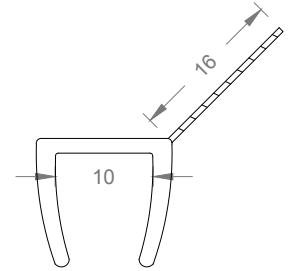
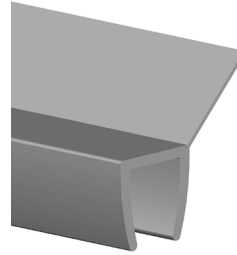
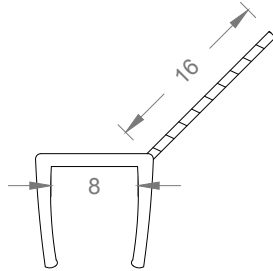
DSG0816SWD LENGTH 2500 MM GLASS THICKNESS 8 MM SOFT LIPPING 16 MM		DSG1010SWD LENGTH 2500 MM GLASS THICKNESS 10 MM SOFT LIPPING 10 MM		DSG1216SWD LENGTH 2500 MM GLASS THICKNESS 12 MM SOFT LIPPING 16 MM	
					

DSG0815SLD LENGTH 2500 MM GLASS THICKNESS 8 MM SOFT LIPPING 15 MM		DSG1022SLD LENGTH 2500 MM GLASS THICKNESS 10 MM SOFT LIPPING 22 MM	
			

STANDARD APPLICATION- SLIDING GLASS DOORS

DSG0816SLD | LENGTH 2500 MM | GLASS THICKNESS 8 MM
SOFT LIPPING 16 MM

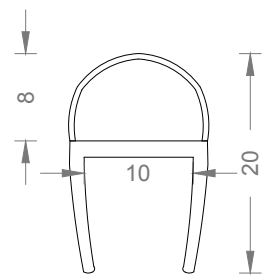
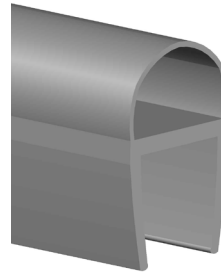
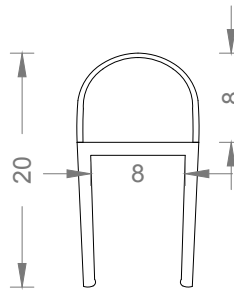
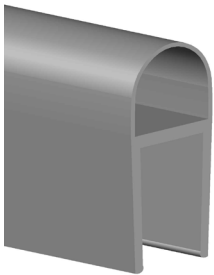
DSG1016SLD | LENGTH 2500 MM | GLASS THICKNESS 10 MM
SOFT LIPPING 16 MM



STANDARD APPLICATION- SWINGING & SLIDING GLASS DOORS

DSG08SLDSW | LENGTH 2500 MM | GLASS THICKNESS 8 MM

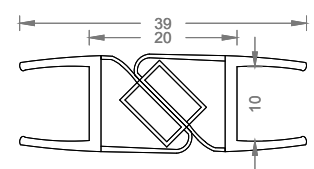
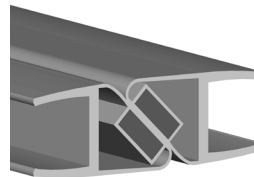
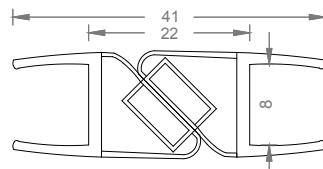
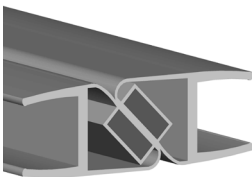
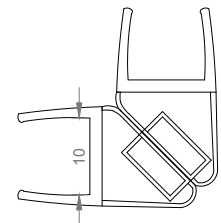
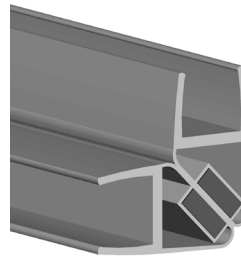
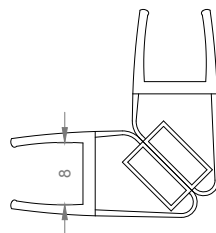
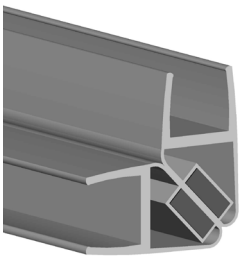
DSG10SLDSW | LENGTH 2500 MM | GLASS THICKNESS 10 MM



STANDARD APPLICATION- MAGNETIC SEALS

DSG08MB – BLACK MAGNETIC | DSG08MW- WHITE MAGNETIC
LENGTH 2400 MM | GLASS THICKNESS 8 MM

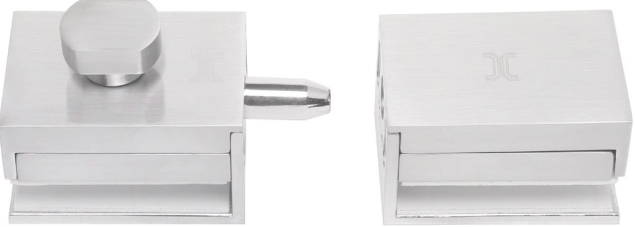

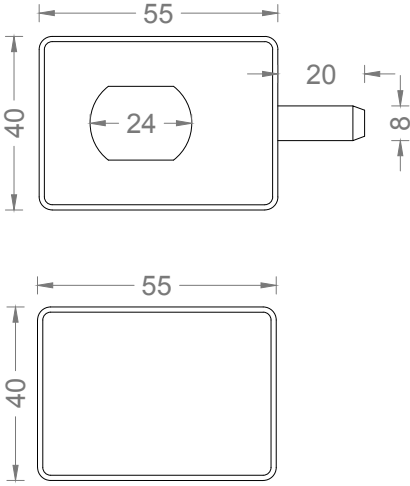
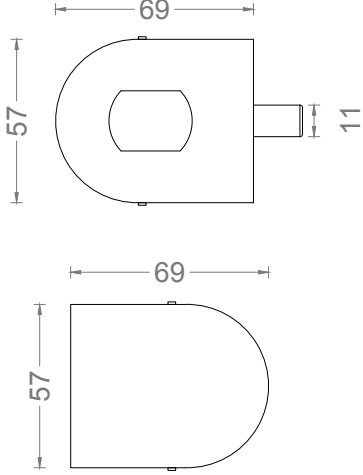
DSG10MB – BLACK MAGNETIC | DSG10MW- WHITE MAGNETIC
LENGTH 2400 MM | GLASS THICKNESS 10 MM



ITEM CODE: DSU21 & DUS21 SERIES

Features:

- Area of application: For sliding and swinging glass doors.
- Material: Zinc alloy.
- Glass thickness: 8 to 12 mm.
- Standard finish: Satin Nickel and polished Nickel.

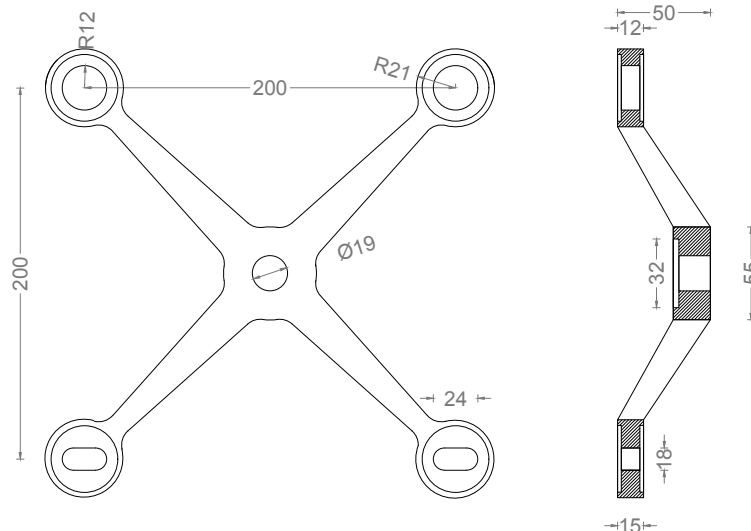
DSU21	DUS210
	
	

ITEM CODE: SPIDERS FITTINGS SERIES

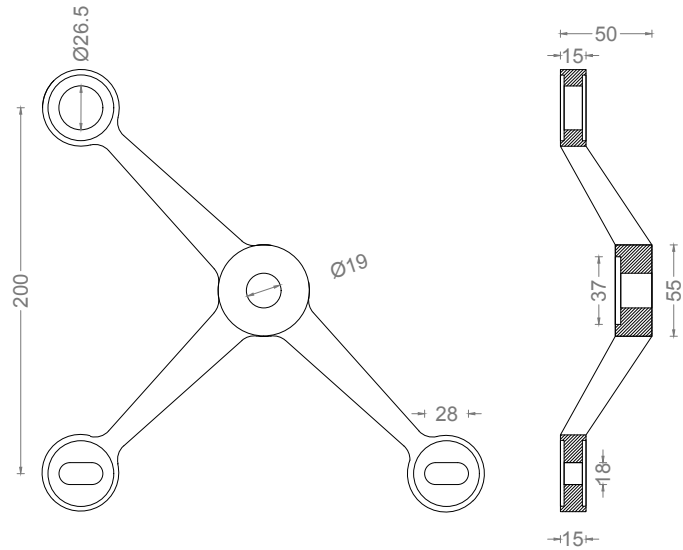
Features:

- Designed for mounting glass to wall or glass to glass
- Material: Stainless steel EN 1.4401 (type SUS316)
- Ideal for creating “all glass” look.
- Holes must be drilled in the glass for assembly.
- Available in 1, 2, 3 and 4 arm configurations.
- Accommodates glass thickness 19 to 26 mm.
- Suitable for interior and exterior use.
- Standard finish: Satin Stainless steel and polished stainless steel.

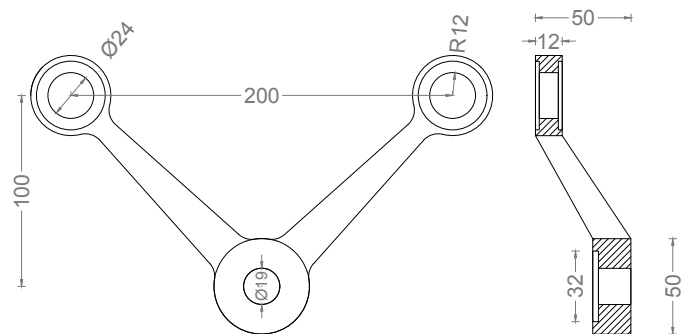
DS 4-200



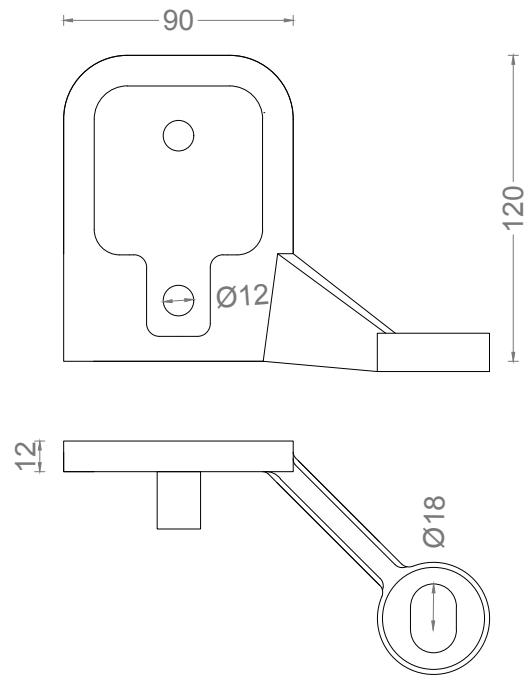
DS 3-200



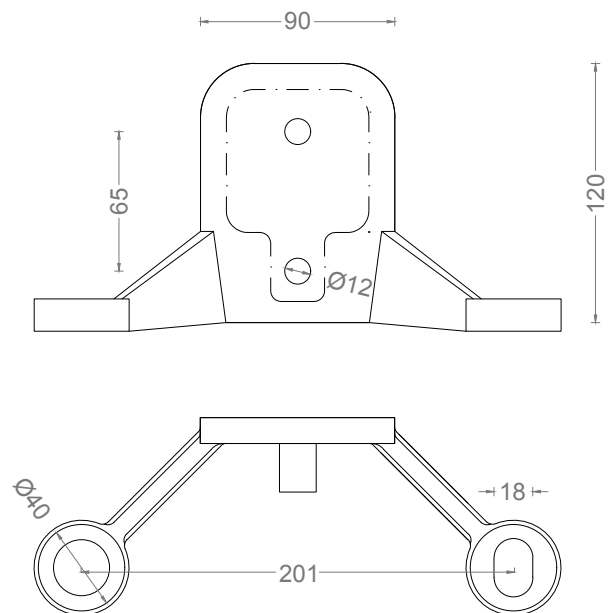
DS 2-200



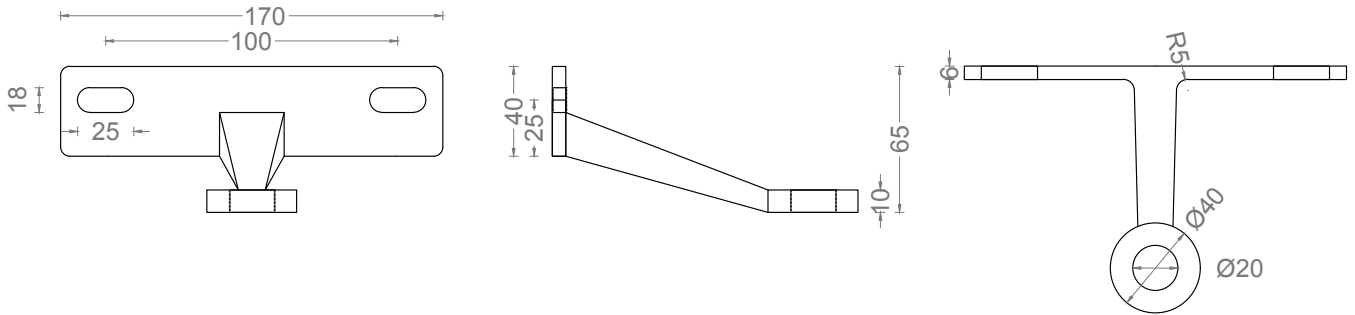
DFS 1-135E



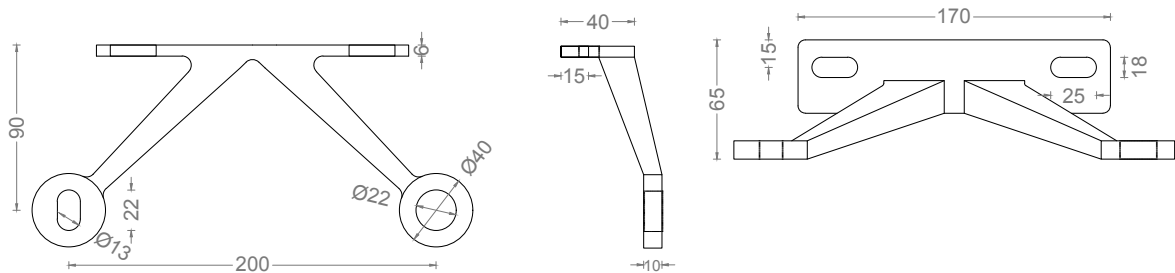
DFS 2-90E



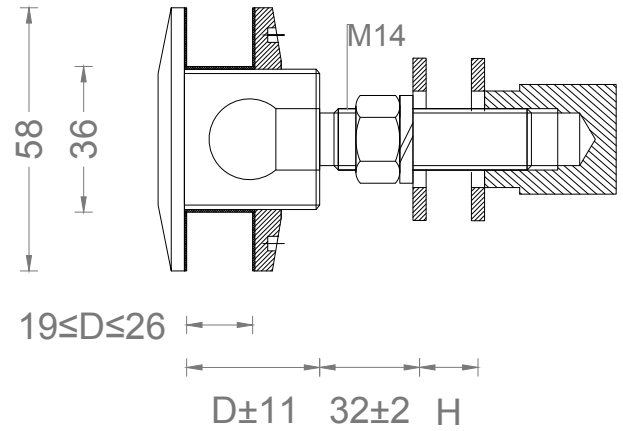
DFS 2-180M



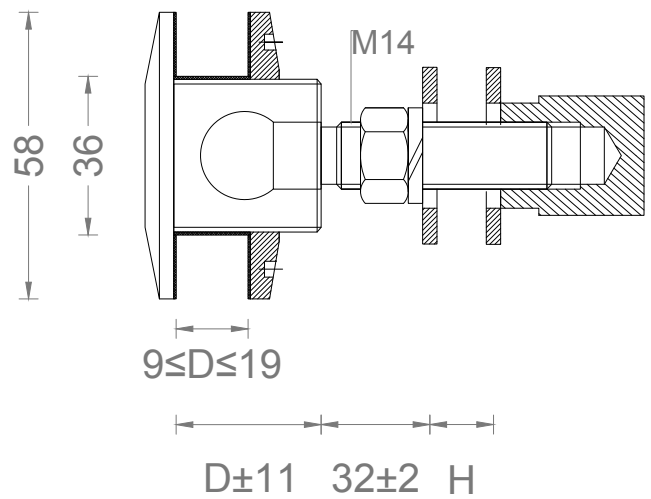
DFS 4-90M



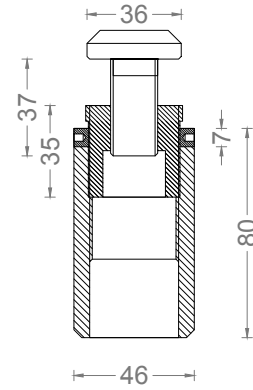
DFCR 22



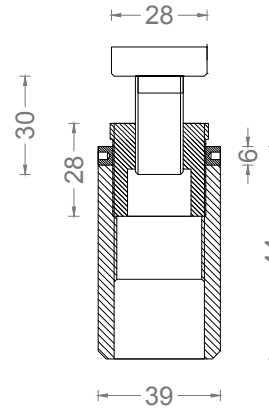
DFCR 12



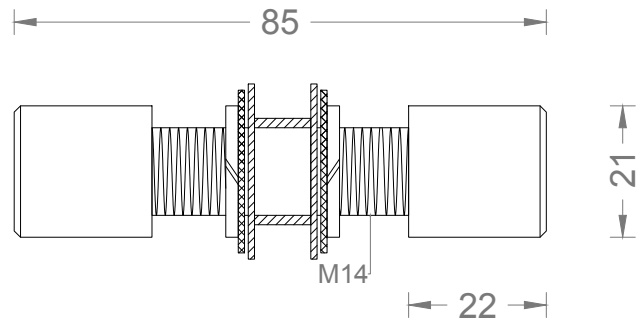
DC 80X36



DC 44X28



DSM14



ITEM CODE: DHG SERIES

Features:

- Area of application: For swinging glass doors.
- Material: Made of high-grade stainless steel EN 1.4401 (type 316).
- Maximum load bearing: 45 kgs.
- Glass thickness: 8 to 12 mm.
- Suitable for left and right.
- Standard finish: Satin or Polished Stainless Steel.

DHG 90 W-G	DHG 180 G-G
