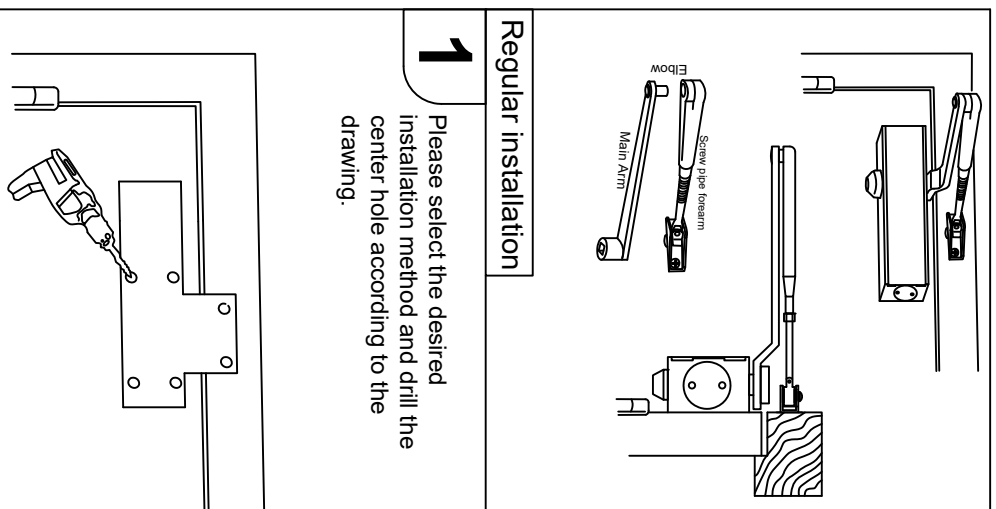


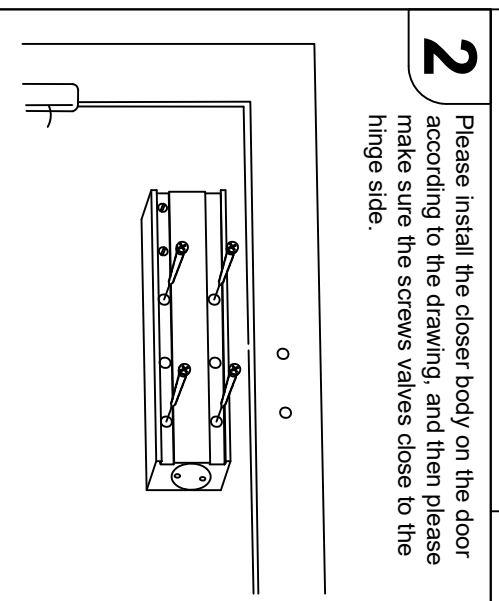


- 1-THE DOOR IS SELF-CLOSING. DO NOT APPLY EXCESSIVE FORCE, AS THIS MAY DAMAGE THE DOOR CLOSER.
- 2-INSTALL THE DOOR CLOSER STRICTLY IN ACCORDANCE WITH THE INSTALLATION INSTRUCTIONS.
- 3-FOR FIRE-RATED DOORS, ADJUST THE POWER SIZE TO EN 3 OR HIGHER.

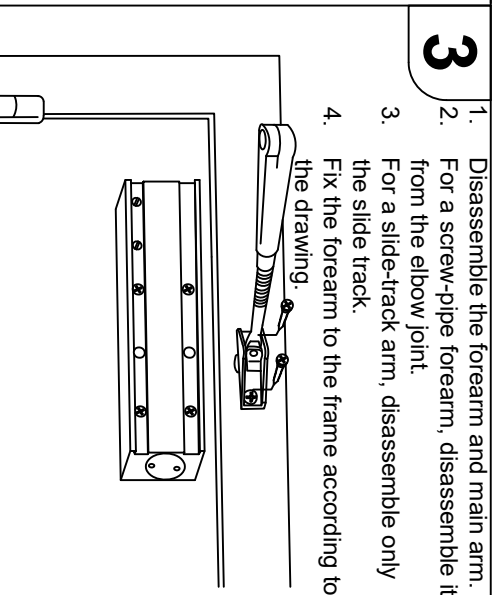


Regular installation

1 Please select the desired installation method and drill the center hole according to the drawing.

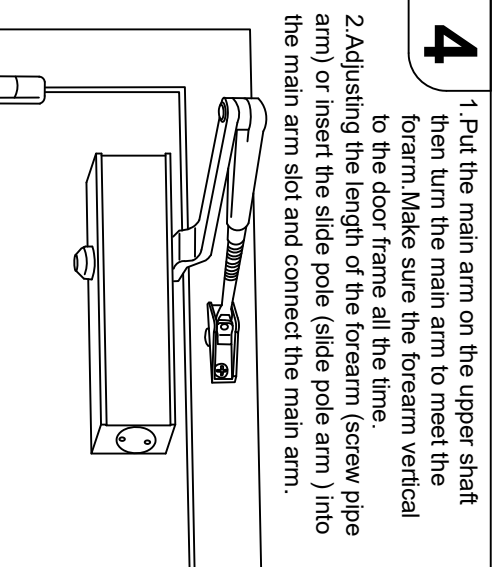


2 Please install the closer body on the door according to the drawing, and then please make sure the screws valves close to the hinge side.



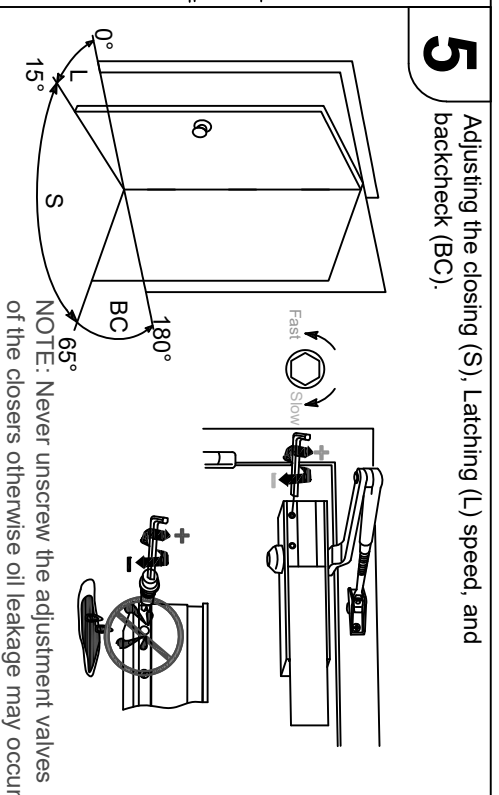
3

1. Disassemble the forearm and main arm.
2. For a screw-pipe forearm, disassemble it from the elbow joint.
3. For a slide-track arm, disassemble only the slide track.
4. Fix the forearm to the frame according to the drawing.



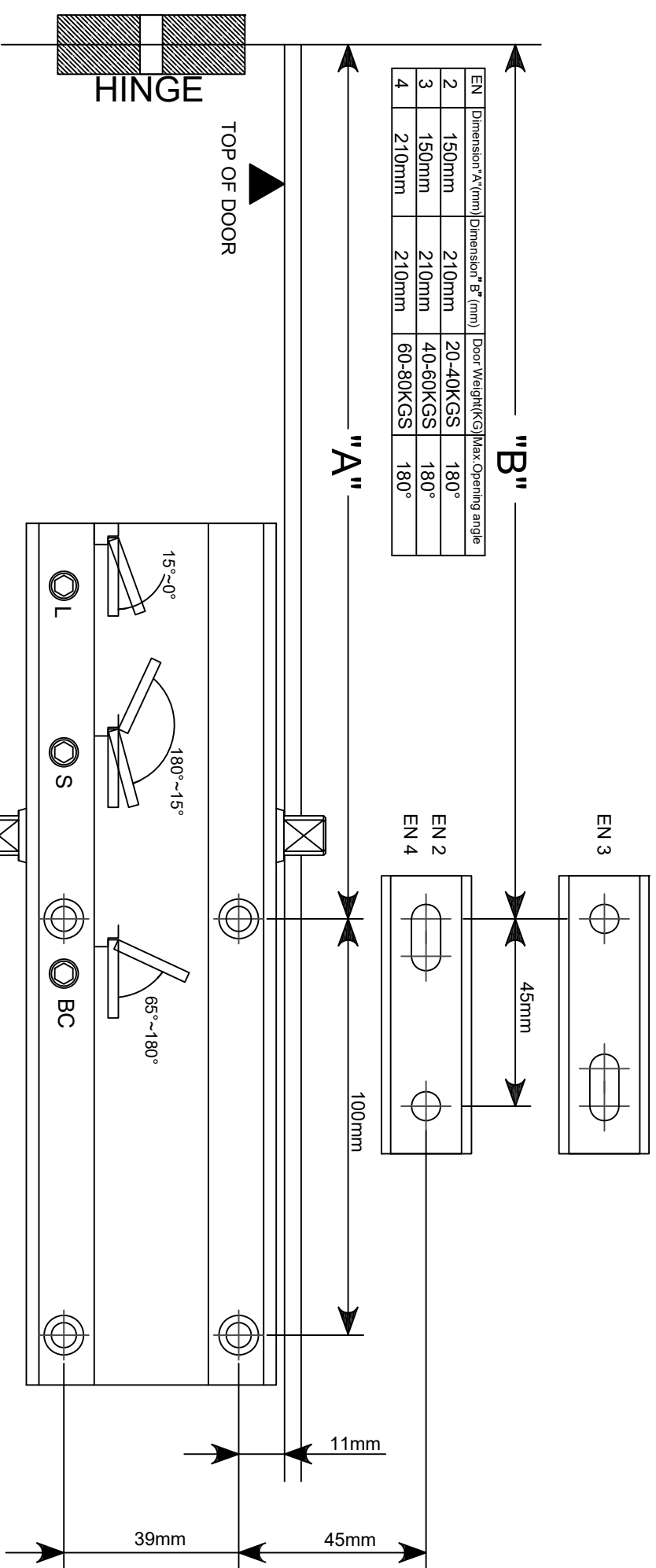
4

1. Put the main arm on the upper shaft then turn the main arm to meet the forearm. Make sure the forearm vertical to the door frame all the time.
2. Adjusting the length of the forearm (screw pipe arm) or insert the slide pole (slide pole arm) into the main arm slot and connect the main arm.



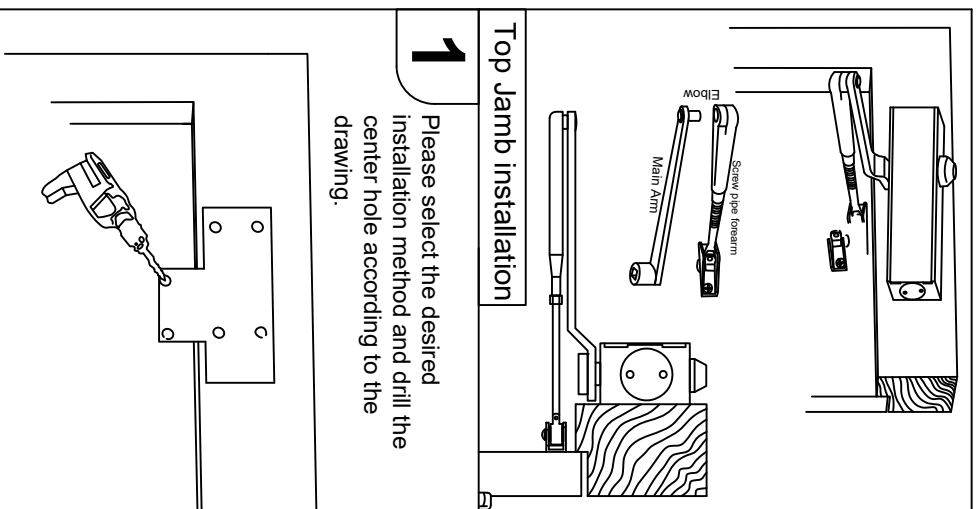
5 Adjusting the closing (S), Latching (L) speed, and backcheck (BC).

NOTE: Never unscrew the adjustment valves of the closers otherwise oil leakage may occur.



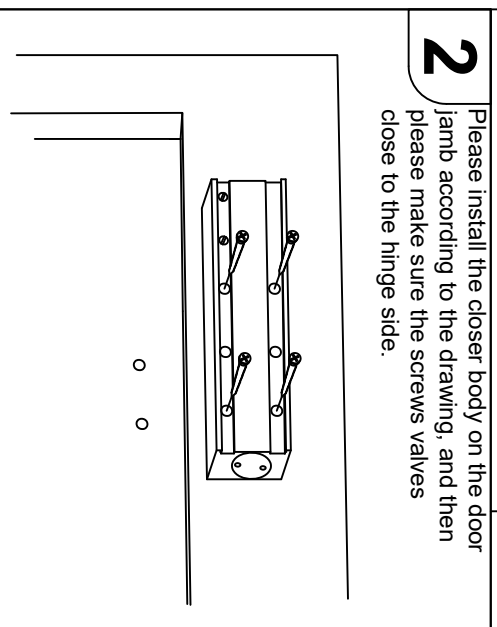


1-THE DOOR IS SELF-CLOSING. DO NOT APPLY EXCESSIVE FORCE, AS THIS MAY DAMAGE THE DOOR CLOSER.
2-INSTALL THE DOOR CLOSER STRICTLY IN ACCORDANCE WITH THE INSTALLATION INSTRUCTIONS.
3-FOR FIRE-RATED DOORS, ADJUST THE POWER SIZE TO EN 3 OR HIGHER.

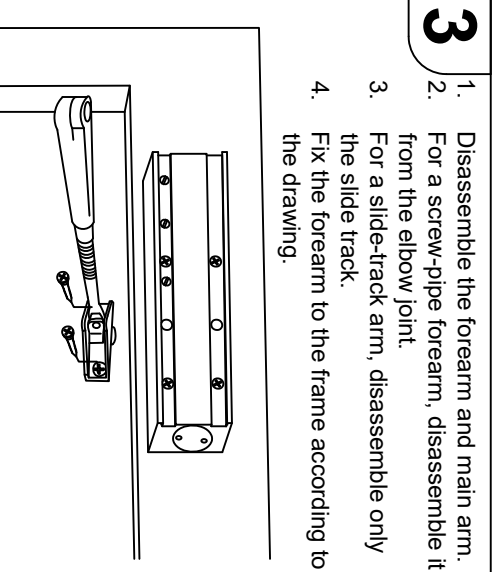


Top jamb installation

1 Please select the desired installation method and drill the center hole according to the drawing.

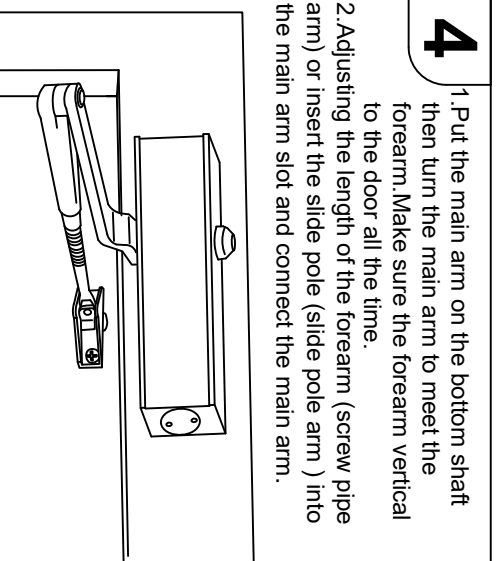


2 Please install the closer body on the door jamb according to the drawing, and then please make sure the screws valves close to the hinge side.



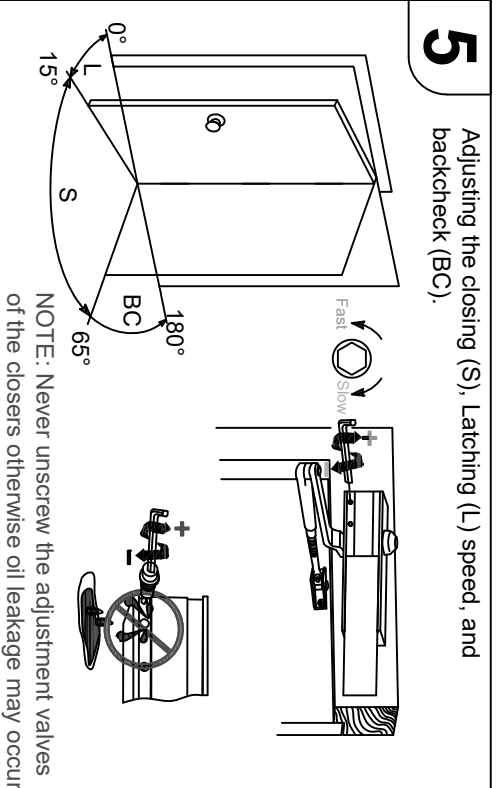
3

1. Disassemble the forearm and main arm. For a screw-pipe forearm, disassemble it from the elbow joint.
2. For a slide-track arm, disassemble only the slide track.
3. Fix the forearm to the frame according to the drawing.

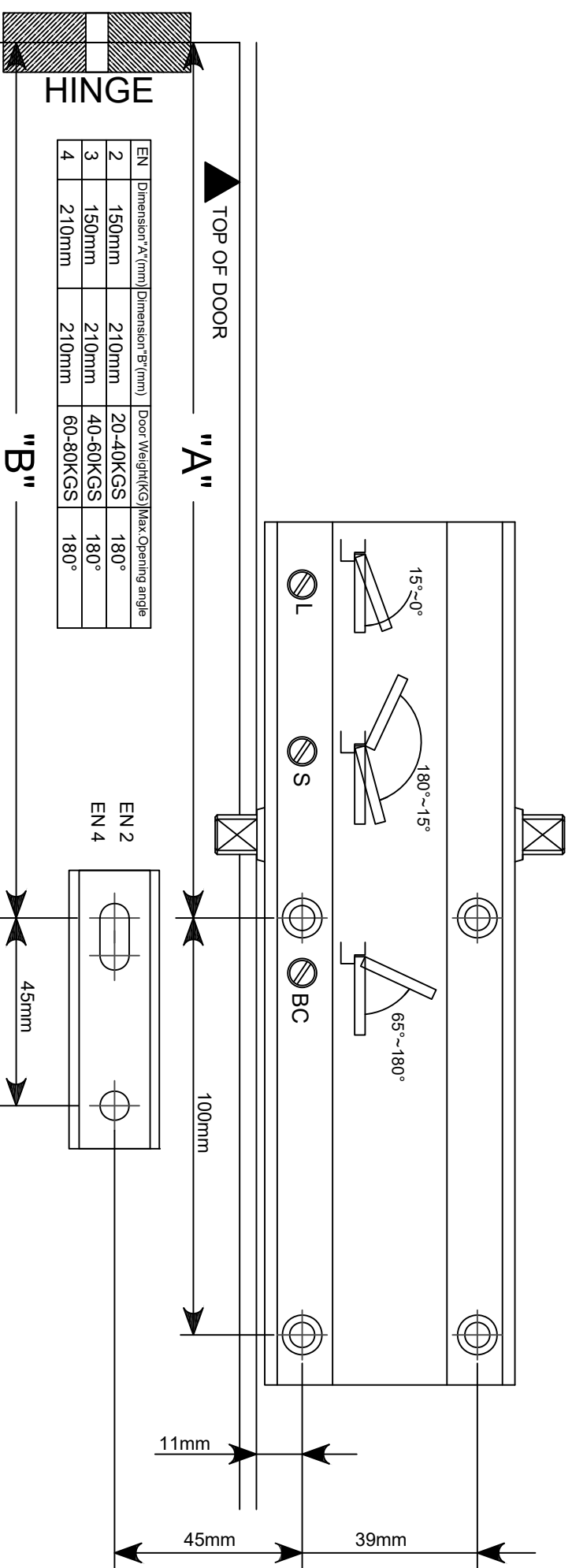


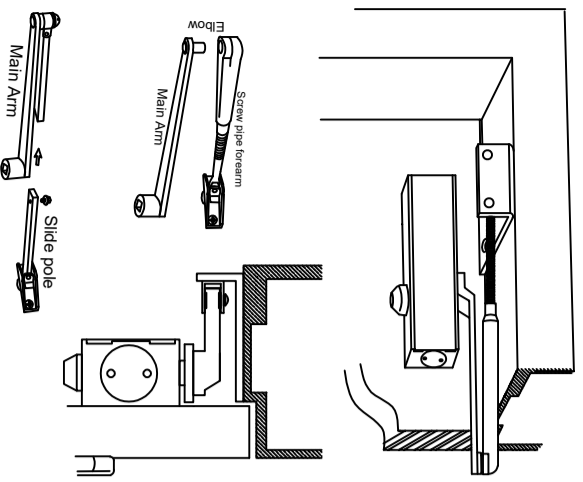
4

1. Put the main arm on the bottom shaft then turn the main arm to meet the forearm. Make sure the forearm vertical to the door all the time.
2. Adjusting the length of the forearm (screw pipe arm) or insert the slide pole (slide pole arm) into the main arm slot and connect the main arm.



5 Adjusting the closing (S), Latching (L) speed, and backcheck (BC).

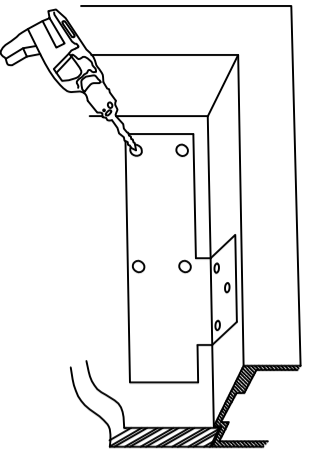




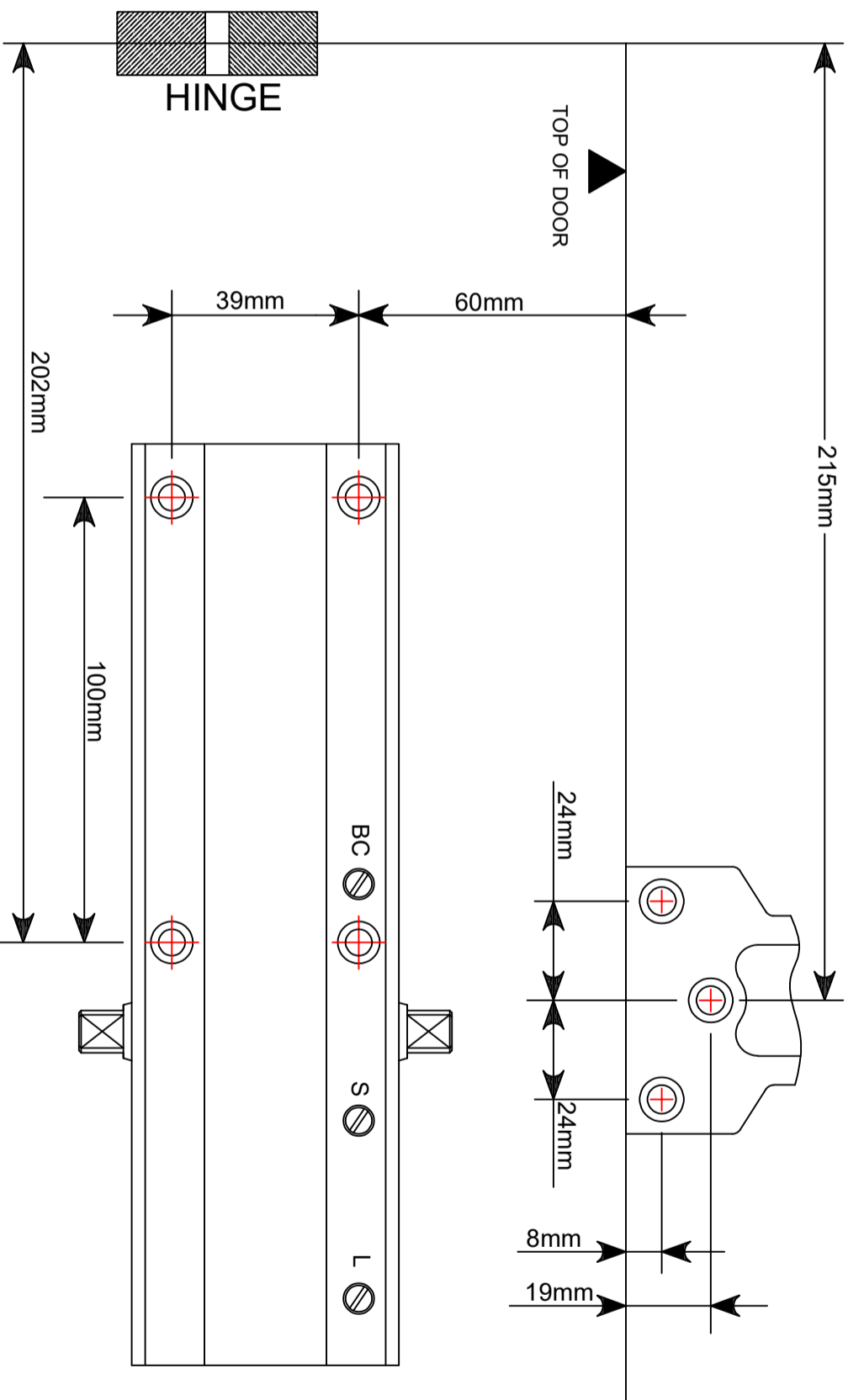
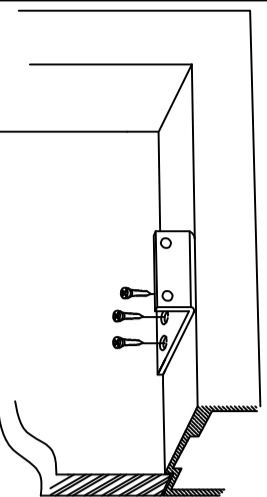
- 1-THE DOOR IS SELF-CLOSING. DO NOT APPLY EXCESSIVE FORCE, AS THIS MAY DAMAGE THE DOOR CLOSER.
- 2-INSTALL THE DOOR CLOSER STRICTLY IN ACCORDANCE WITH THE INSTALLATION INSTRUCTIONS.
- 3-FOR FIRE-RATED DOORS, ADJUST THE POWER SIZE TO EN 3 OR HIGHER.

Parallel installation

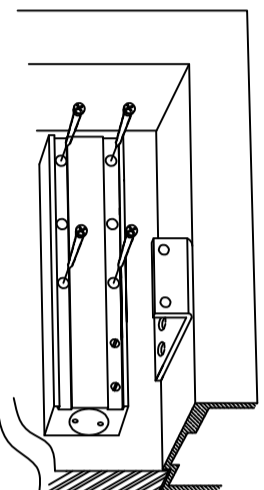
- 1** Please select the desired installation method and drill the center hole according to the drawing.



- 2** Please install the Parallel bracket under the frame soffit.

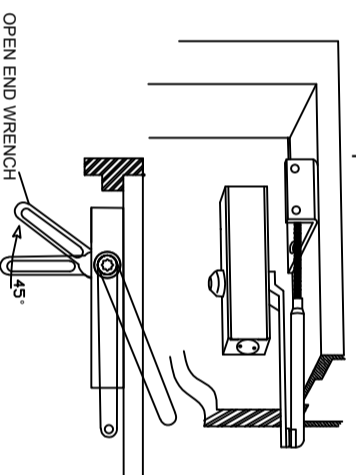


- 3** 1- Please install the door closer body on the door in accordance with the drawing.



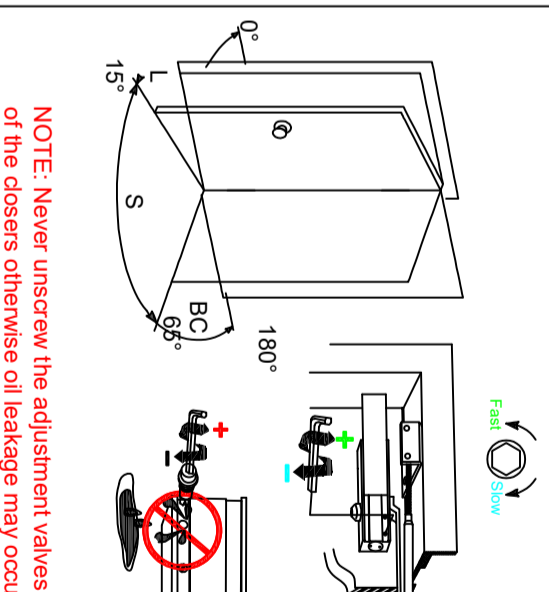
- 2-** Disassemble the forearm and main arm for the next step preparation. (if it is a screw-type forearm, please disassemble it from the elbow joint of the arm. If it is a slide rail arm, simply remove the slide rail.) ensure that the speed valves are positioned away from the hinge side.

- 4** 1- Fix the forearm bracket onto the PA bracket.



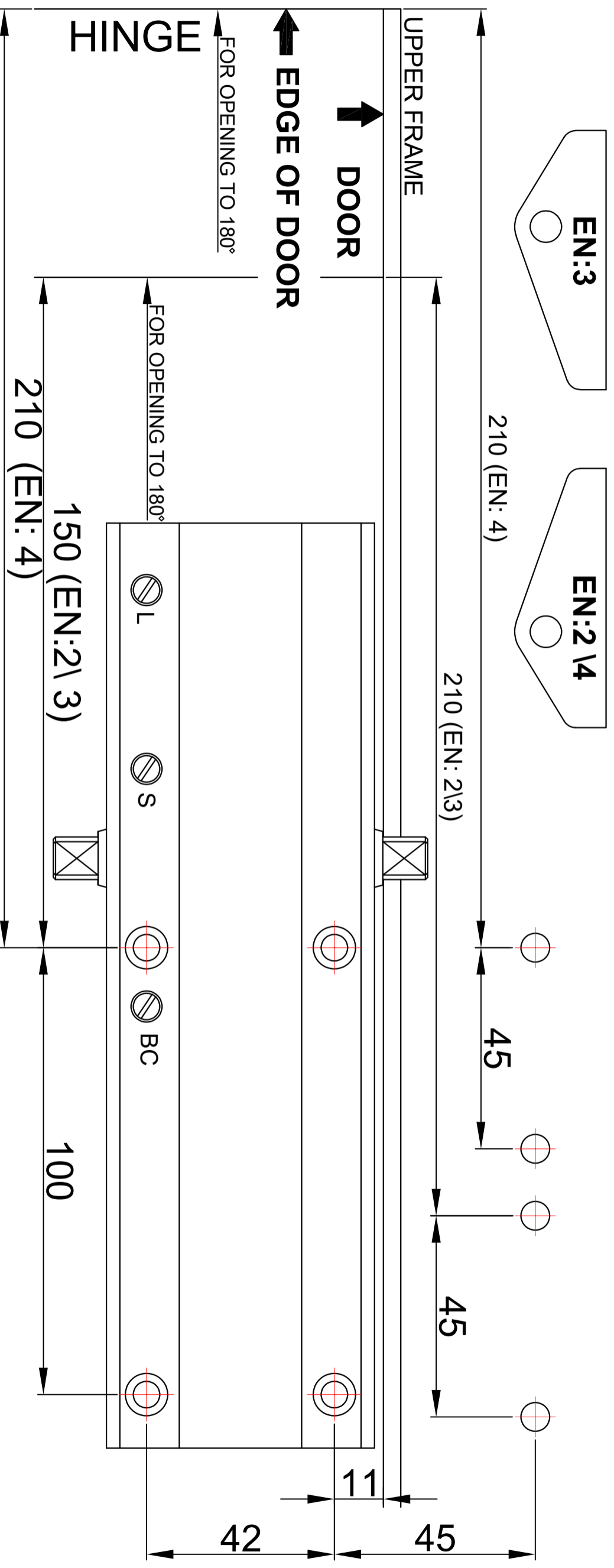
- 2-** Using a wrench, hold the lower shaft of the closer pinion and turn it 45° toward the hinge side. Install the main arm onto the upper shaft and secure it. Make sure the main arm is parallel to the door.
- 3-** Adjust the length of the forearm (screw-type arm) or insert the slide rail into the slot (slide rail arm) and secure it with the provided screw.

- 5** Adjusting the closing (S), Latching (L) speed, and backcheck (BC).

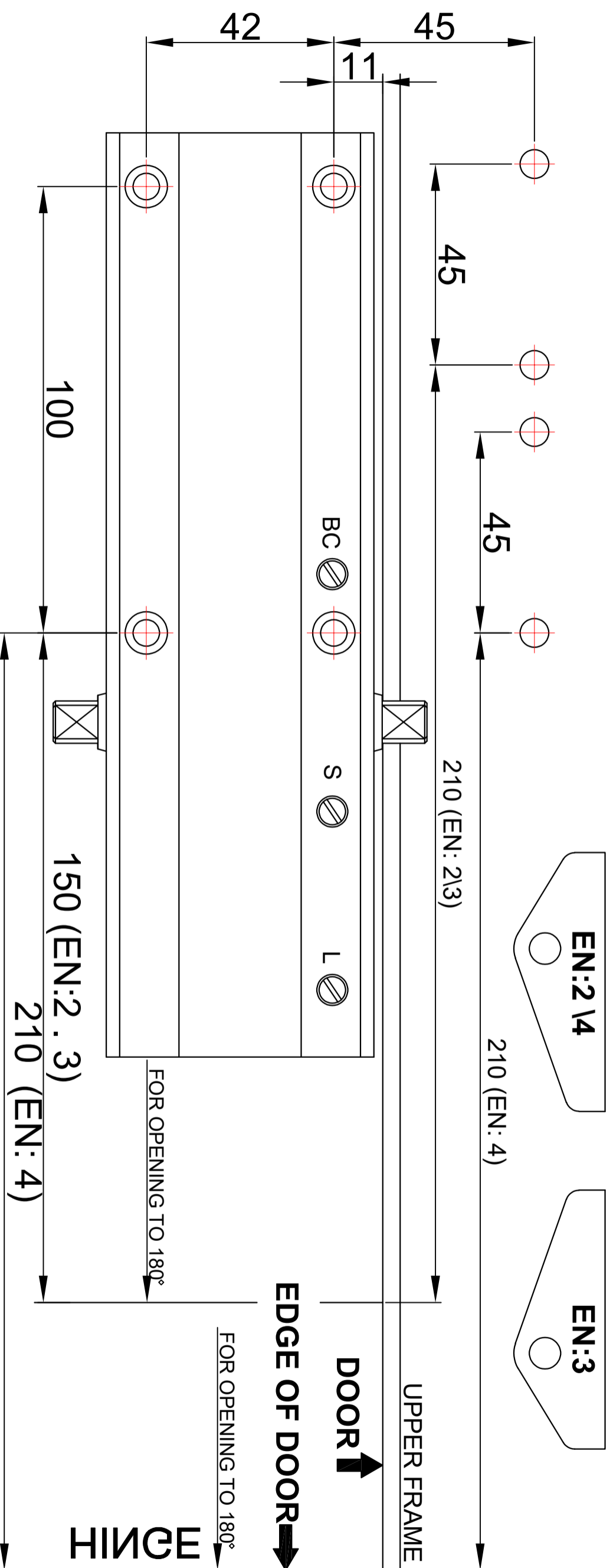


NOTE: Never unscrew the adjustment valves of the closers otherwise oil leakage may occur.

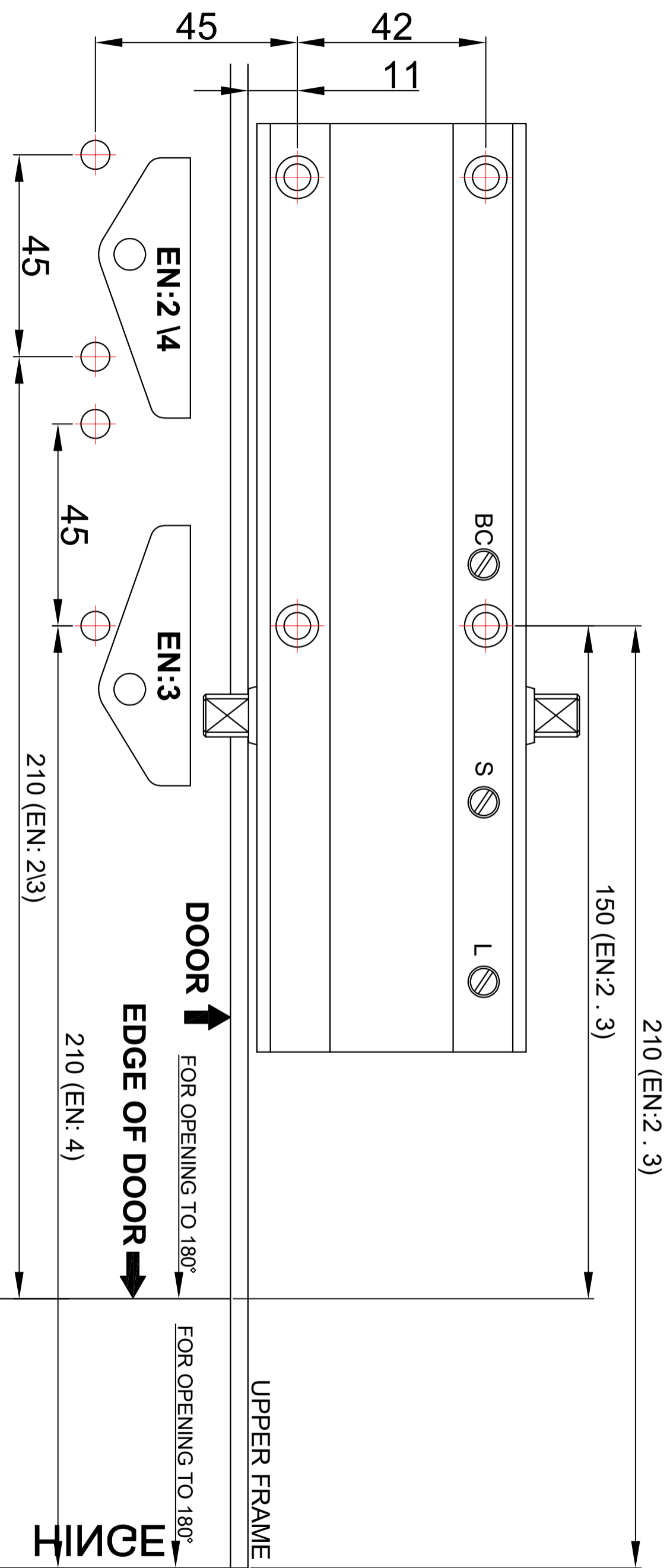
WARNING:
PLEASE PRINT AT ACTUAL SIZE,
DO NOT SCALE TO FIT



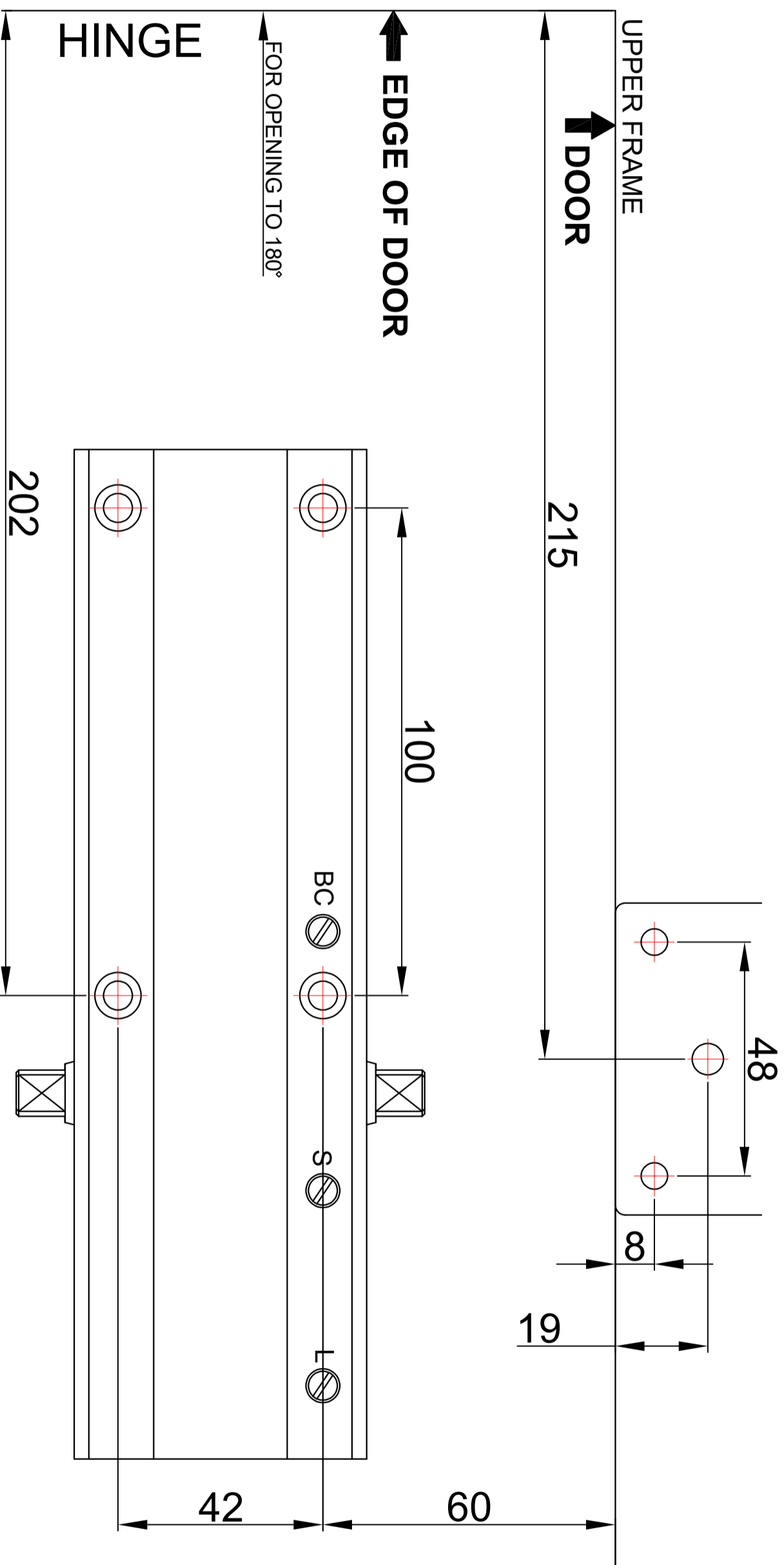
WARNING:
PLEASE PRINT AT ACTUAL SIZE,
DO NOT SCALE TO FIT



WARNING:
PLEASE PRINT AT ACTUAL SIZE,
DO NOT SCALE TO FIT



WARNING:
PLEASE PRINT AT ACTUAL SIZE,
DO NOT SCALE TO FIT



WARNING:
PLEASE PRINT AT ACTUAL SIZE,
DO NOT SCALE TO FIT

