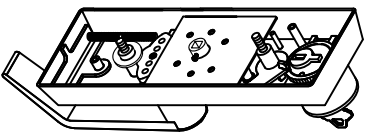


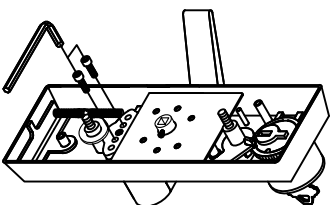
INSTALLATION MANUAL DT110M ANSI OR DT009M ANSI SERIES - CHANGE HANDING

Step 1.
Trim shipped with lever in the neutral
(non-handed) position.



(Neutral Position)

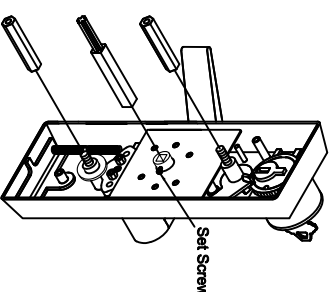
Step 2.
Rotate lever to desired hand. Insert (2) lever
handing hex screws together before tighten.
Tighten these (2) screws with hex wrench.



(RHR)

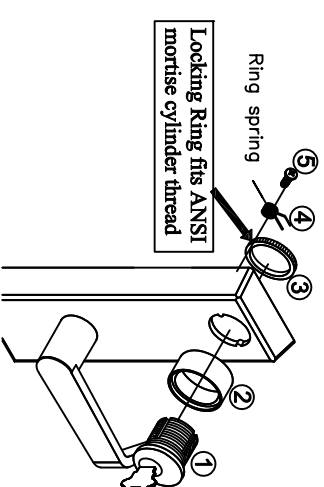
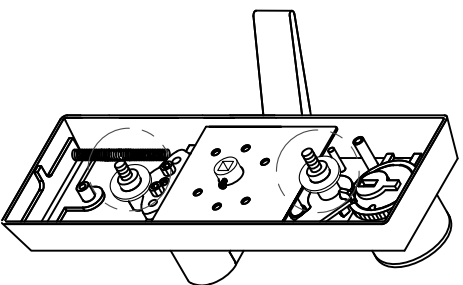
The two hex-wrench screws are
already tightened for the DT110M
ANSI Series.

Step 3.
Install (2) thru-bolts. Insert spindle base on
door thickness and fix set screw.
※ Suitable for door thickness
1- $\frac{3}{4}$ "-2- $\frac{3}{8}$ " (45~60mm)



(RHR)

※ After setting, please ensure the (2)
lever handing screws are tighten to
avoid lever operating problems.



Cylinder installation:
(follow ①⇒②⇒③⇒④⇒⑤)
※ Standard collar height fits
1- $\frac{1}{4}$ "~1- $\frac{3}{8}$ " mortise cylinder.

Locking Ring fits ANSI
mortise cylinder thread

Ring spring

Set Screw