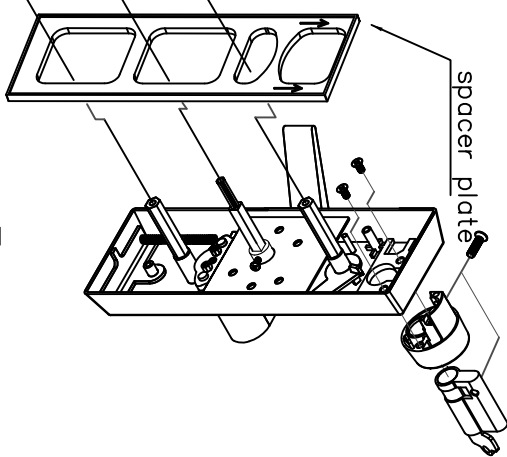


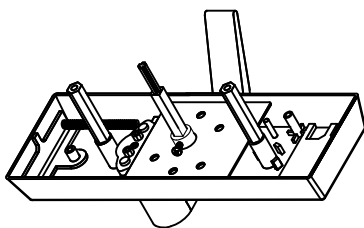
(ANSI Function 08)



spacer plate

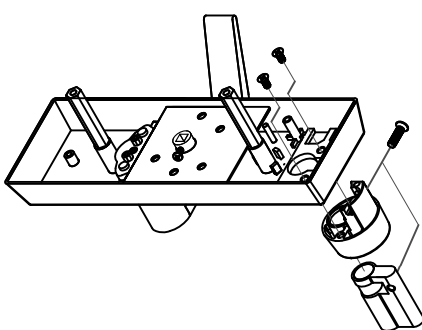
Entrance -  
Key Locks/Unlocks Lever

(ANSI Function 14)



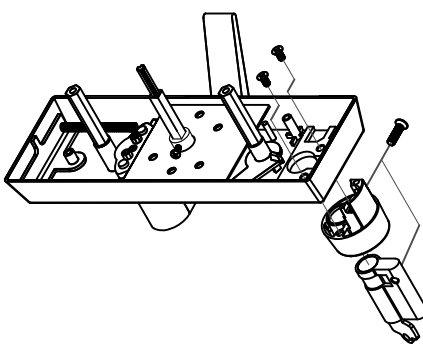
Passage - No Cylinder  
Lever Always Active

(ANSI Function 02)



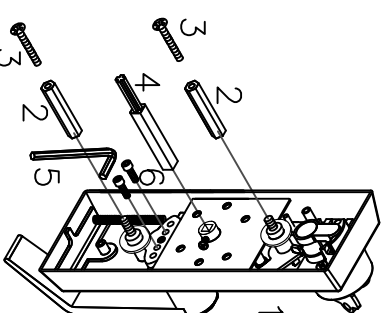
Dummy -  
With Dummy Cylinder

(ANSI Function 03)

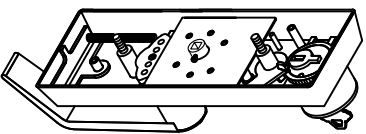


Storeroom -  
Key Unlocks Lever

Parts List		Q'ty
No	Parts	
1	Trim	1
2	Thru. bolts	2
3	10#-24x1-1/4" Screw	2
4	Spindle	1
5	Hex wrench	1
6	M5x12 Hex screw	2

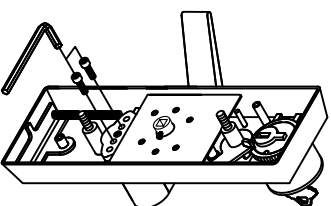


**Step 1.**  
Trim shipped with lever in the neutral  
(non-handed) position.



(Neutral Position)

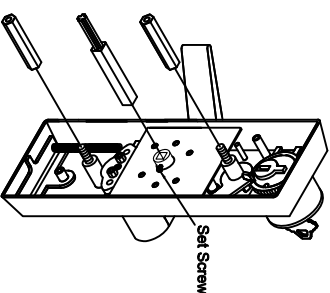
**Step 2.**  
Rotate lever to desired hand. Insert (2) lever  
handing hex screws together before tighten.  
Tighten these (2) screws with hex wrench.



(RHR)

The two hex-wrench screws are  
already tightened for the DT110M  
EURO Series.

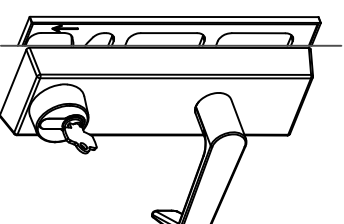
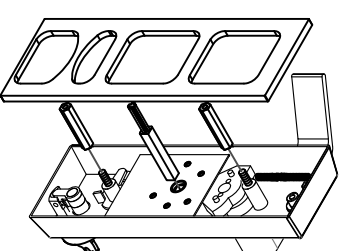
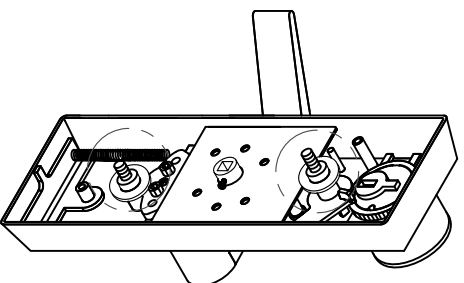
**Step 3.**  
Install (2) thru-bolts. Insert spindle base on  
door thickness and fix set screw.  
※ Suitable for door thickness  
1- $\frac{3}{4}$ "-2- $\frac{3}{8}$ " (45~60mm)

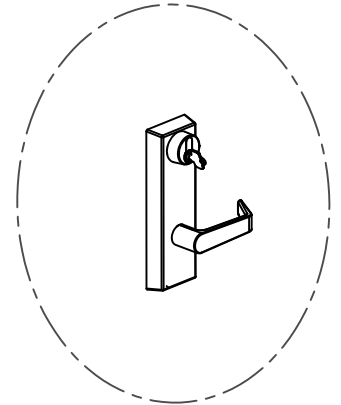
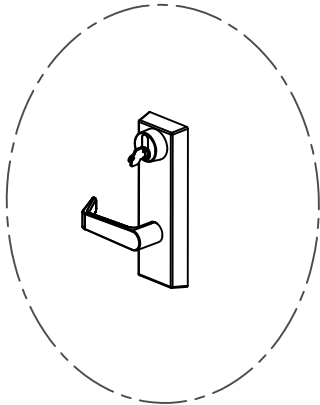


(RHR)

※ After setting, please ensure the (2)  
lever handing screws are tighten to  
avoid lever operating problems.


※ NOTE: Trim can be also installed as  
below reversed direction. Template is  
same as attached.

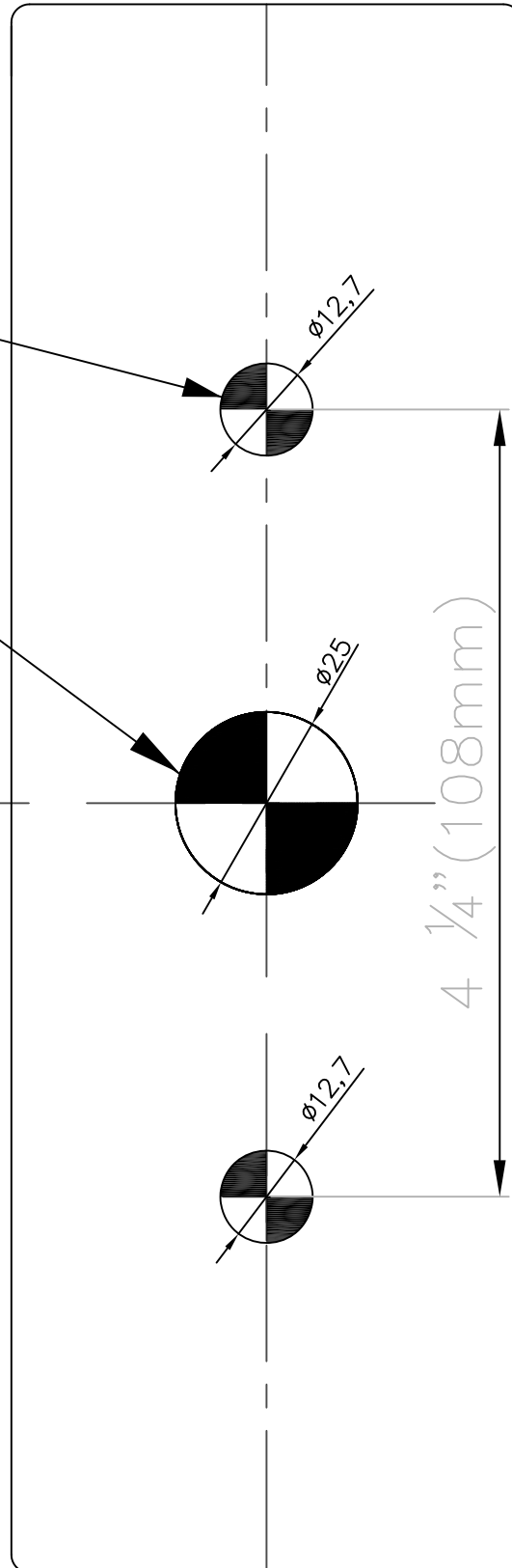




[ For Standard Type ]  
Mounting Holes \*2 Drill 1/2"  
( $\varnothing$ 12 mm) Hole On  
Outside Face Of Door

[ For Standard Type ]  
Dill 1" ( $\varnothing$ 25mm)  
Through Hole

  
↑  
Refer To Exit Device  
Template For  
Horizontal Center Line



TRIM 

**OUTSIDE FACE OF DOOR**