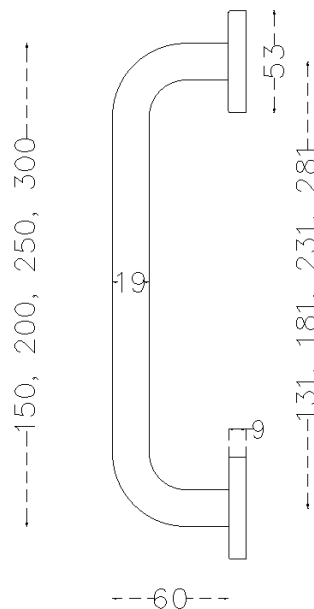
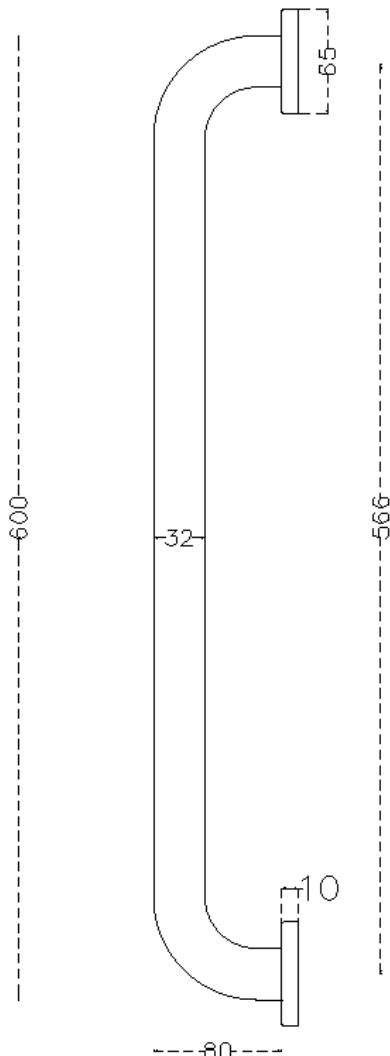


ITEM CODE: PH01BT-19X131 R, PH01BT-19X181 R, PH01BT-19X231 R, PH01BT-19X281 R, PH01BT-32X568 R

Features:

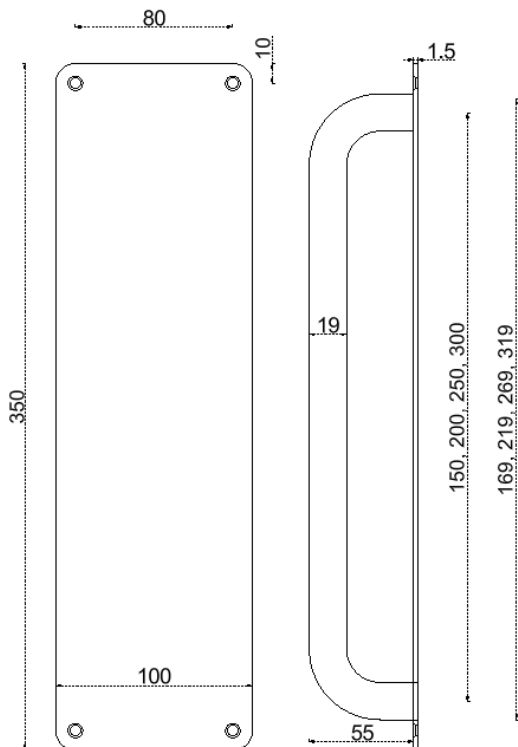
- Area of application: for wood or steel doors.
- Standard material: Stainless steel EN 1.4301 (type SUS304). optional in stainless steel EN 1.4401 (type SUS316).
- Available options:
 - 1) PH01BT-19X131 R: Tube dia. 19mm, Full length 150mm, C/C 131, Projection 69mm.
 - 2) PH01BT-19X181 R: Tube dia. 19mm, Full length 200mm, C/C 181, Projection 69mm.
 - 3) PH01BT-19X231 R: Tube dia. 19mm, Full length 250mm, C/C 231, Projection 69mm.
 - 4) PH01BT-19X281 R: Tube dia. 19mm, Full length 230mm, C/C 281, Projection 69mm.
 - 5) PH01BT-32X568 R: Tube dia. 32mm, Full length 600mm, C/C 568, Projection 90mm.
- Due to varieties of types and fixing method, we provide any length, diameter and size according to design requirement. Final drawing will be provided for approval.
- PH01BT-32X568 R is compliant to document M of the UK building regulations (accessible toilet).
- Standard accessories: concealed fixing.
- Standard finish: Satin Stainless steel (SSS). Other finishes are available upon request.



ITEM CODE: PH01BT-19X150/SP350X100, PH01BT-19X200/SP350X100, PH01BT-19X250/SP350X100, PH01BT-19X300/SP350X100, SP350X100-W/FEET, SP350X100-W/HOLE

Features:

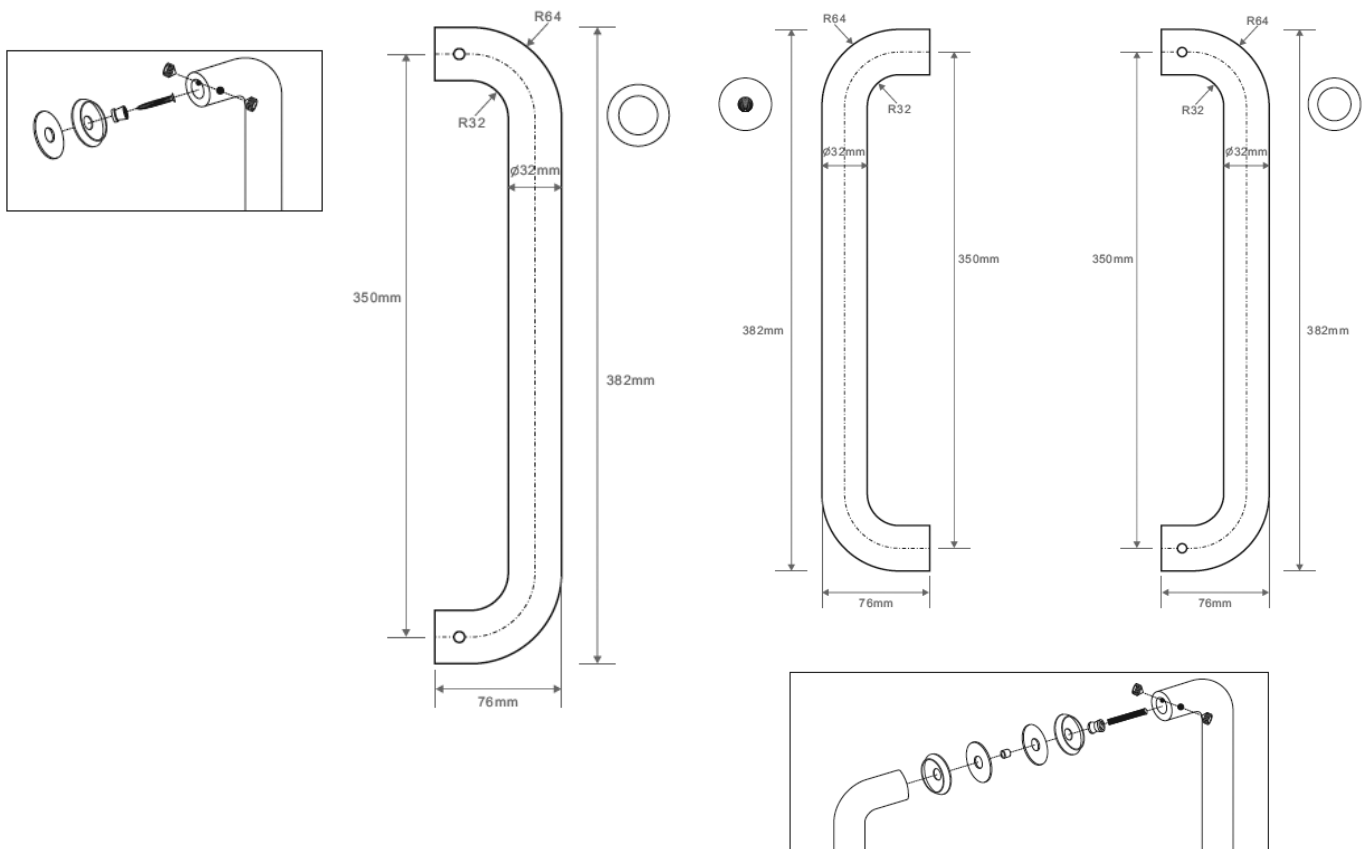
- Area of application: for wood or steel doors.
- Standard material: Stainless steel EN 1.4301 (type SUS304). optional in stainless steel EN 1.4401 (type SUS316).
- Available options:
 - 1) PH01BT-19X150/SP350X100: Tube dia. 19mm, Full length 169mm, C/C 150, Projection 55mm, mounted on flat push plate with size 350x100x1.5mm.
 - 2) PH01BT-19X200/SP350X100: Tube dia. 19mm, Full length 219mm, C/C 200, Projection 55mm, mounted on flat push plate with size 350x100x1.5mm.
 - 3) PH01BT-19X250/SP350X100: Tube dia. 19mm, Full length 269mm, C/C 250, Projection 55mm, mounted on flat push plate with size 350x100x1.5mm.
 - 4) PH01BT-19X300/SP350X100: Tube dia. 19mm, Full length 319mm, C/C 300, Projection 55mm, mounted on flat push plate with size 350x100x1.5mm.
 - 5) SP350X100-W/FEET: Flat push plate with size 350x100x1.5mm with feet, ideal solution with SP350X100-W/HOLE (back to back-push/push operation) or any PH01BT-19XXXX/SP350X100 series (back to back-push/pull operation).
 - 6) SP350X100-W/HOLE: Flat push plate with size 350x100x1.5mm with hole, ideal solution with SP350X100-W/FEET (back to back-push/push operation).
- Due to varieties of types and fixing method, we provide any length, diameter and size according to design requirement. Final drawing will be provided for approval.
- Standard finish: Satin Stainless steel (SSS). Other finishes are available upon request.



ITEM CODE: PH01BT-32X350 R & PH01BTB-32X350 R

Features:

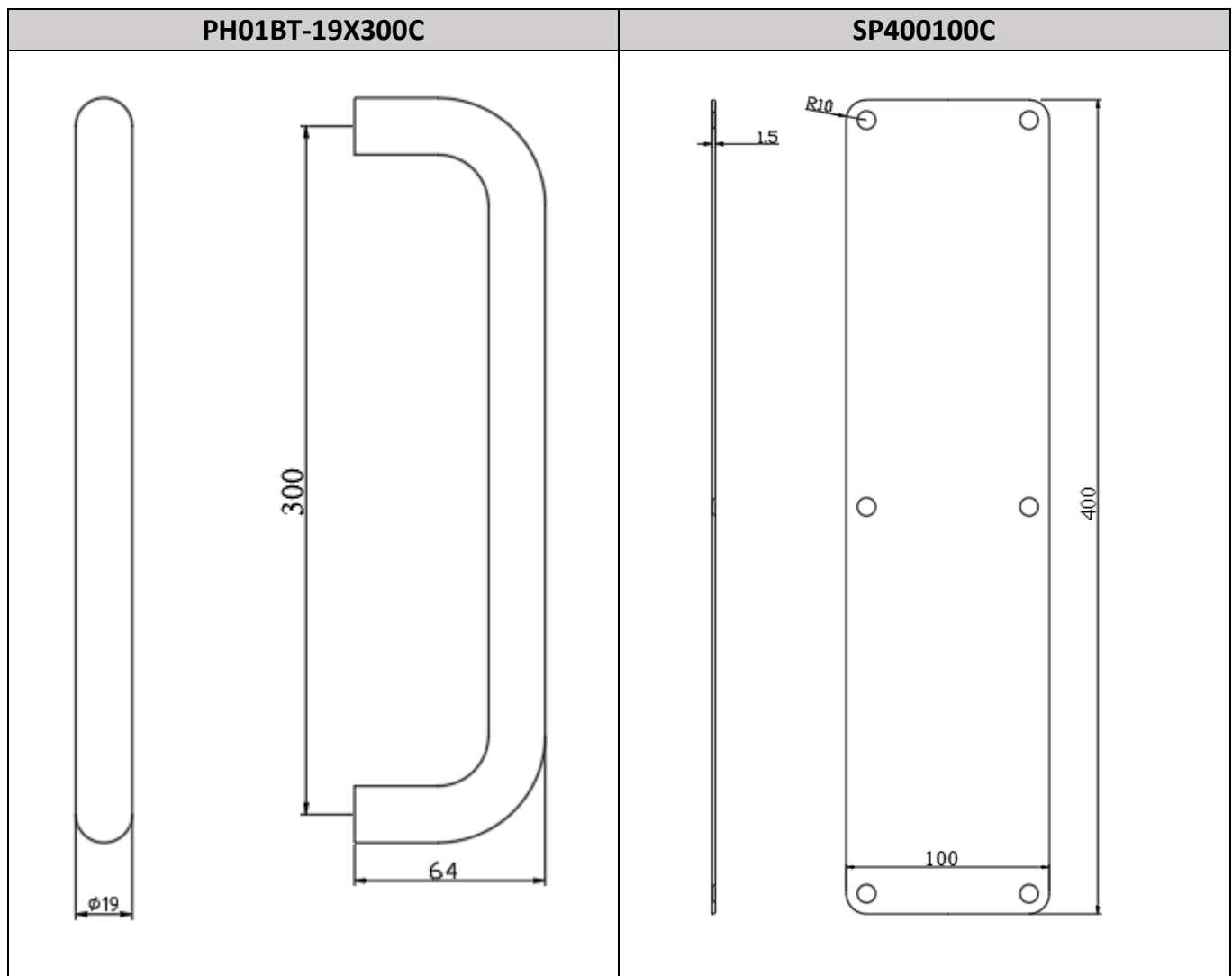
- Area of application: for wood, glass or steel doors.
- Standard material: Stainless steel EN 1.4301 (type SUS304). optional in stainless steel EN 1.4401 (type SUS316).
- Available options:
 - 1) PH01BT-35X382 R: Tube dia. 32mm, Full length 382mm, C/C 350 and Projection 67mm.
 - 2) PH01BTB-35X382 R: Back to back, Tube dia. 32mm, Full length 382mm, C/C 350 and Projection 67mm.
- Due to varieties of types and fixing method, we provide any length, diameter and size according to design requirement. Final drawing will be provided for approval.
- Standard finish: Satin Stainless steel (SSS). Other finishes are available upon request.



ITEM CODE: PH01BT-19X300C & SP400100C

Features:

- Area of application: for wood or steel doors.
- Standard in stainless steel EN 1.4301 (type SUS304), optional in stainless steel EN 1.4401 (type SUS316).
- Round pull design. Flat push plate.
- Standard pull/push (PH01BT-19X300C + SP400100C), optional pull handle with concealed fixing.
- Due to varieties of types and fixing types, Durable Collection provides any length, diameter and sizes according to design requirement. Final drawing will be provided for approval.
- Standard pull handle: 300 x 64 x dia. 19 mm, standard push plate: 400 x 100 x 1.5 mm.
- Standard finish: Satin Stainless steel (SSS). Other finishes are available upon request.



ITEM CODE: PH01BT-19X231 & PH01BTB-19X231

Features:

- Area of application: for wood, steel or glass doors
- Standard: Stainless steel EN 1.4301 (type SUS304). Optional: Stainless steel EN 1.4401 (type SUS316)
- Available in round design.
- Due to varieties of types and fixing method, Durable Collection provides any length, diameter and size according to design requirement. Final drawing will be provided for approval.
- Standard accessories back-to-back and bolt fix. Optional concealed fixing.
- Standard available size: full length 250 mm, C/C 231 mm, projection 60 mm.
- Standard finish: PVD satin brass. Other finishes are available upon request.



PH01BT-19X231	PH01BTB-19X231

ITEM CODE: PH01BT-32X600 & SP700100

Features:

- Area of application: for wood or steel doors.
- Standard in stainless steel EN 1.4301 (type SUS304), optional in stainless steel EN 1.4401 (type SUS316).
- Round pull design. Flat push plate.
- Standard pull/push (PH01BT-32X600 + SP700100), optional pull handle with concealed fixing.
- Due to varieties of types and fixing types, Durable Collection provides any length, diameter and sizes according to design requirement. Final drawing will be provided for approval.
- Standard pull handle: 600 x 70 x dia. 32 mm, standard push plate: 700 x 100 x 1.5 mm.
- Standard finish: Satin Stainless steel (SSS). Other finishes are available upon request.

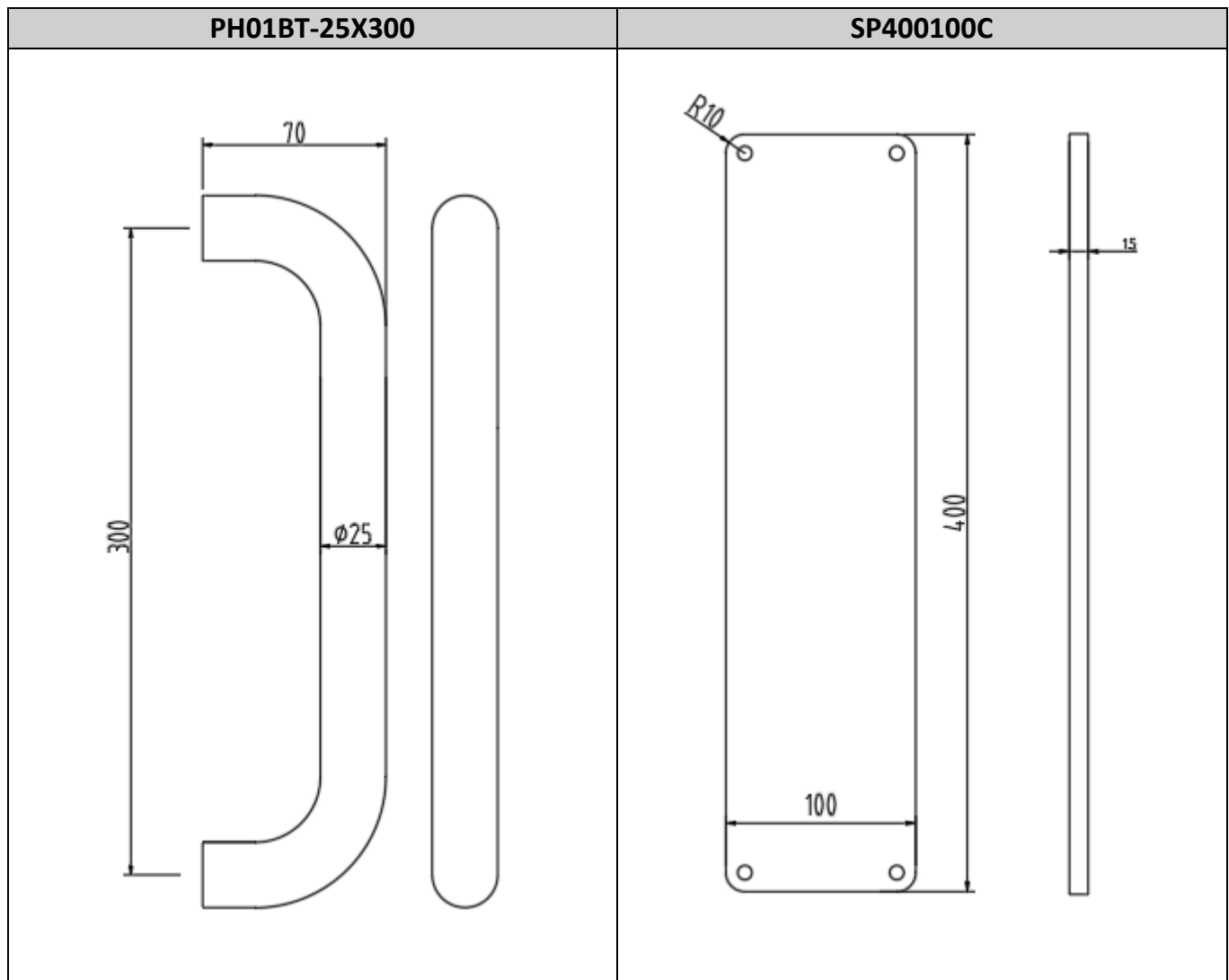


PH01BT-32X600	SP700100

ITEM CODE: PH01BT-25X300, SP400100, PH01BTB-25X300 & PD-3515

Features:


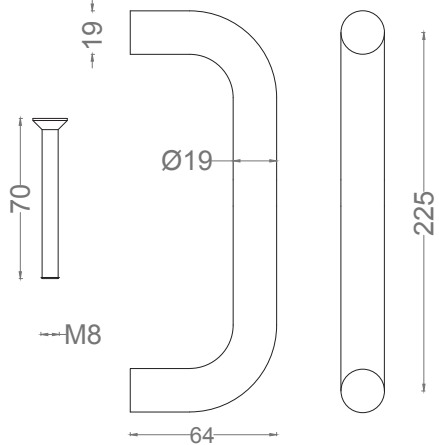

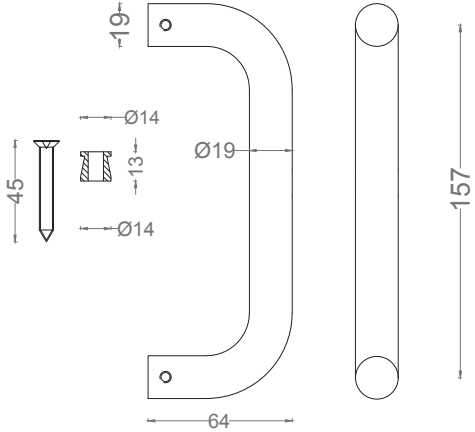
- Area of application: for wood or steel doors.
- Standard in stainless steel EN 1.4301 (type SUS304), optional in stainless steel EN 1.4401 (type SUS316).
- Round pull design. Flat push plate.
- Standard pull/push (PH01BT-25X300 + SP400100), optional pull handle with concealed fixing.
- Due to varieties of types and fixing types, Durable Collection provides any length, diameter and sizes according to design requirement. Final drawing will be provided for approval.
- Available (pull handle, BTB): **PH01BTB-25X300** and push plate **PD-3515** in SUS316 with size 350x150x1.5mm
- Standard pull handle: 300 x 70 x dia. 25 mm, standard push plate: 400 x 100 x 1.5 mm.
- Standard finish: Satin Stainless steel (SSS). Other finishes are available upon request.



ITEM CODE: PH01BT-19X225, SP300150B & PH01BT-19X225 CF

Features:

- Area of application: for wood or steel doors.
- Standard in stainless steel EN 1.4301 (type SUS304), optional in stainless steel EN 1.4401 (type SUS316).
- Round pull design. Flat push plate.
- Standard pull/push (PH01BT-19X225 + SP300150B), optional PULL/PULL (PH01BT-19X225 CF + PH01BT-19x225)
- Due to varieties of types and fixing types, Durable Collection provides any length, diameter and sizes according to design requirement. Final drawing will be provided for approval.
- Standard pull handle: 225 x 64 x dia. 19 mm, standard push plate: 300 x 150 x 1.5 mm.
- Standard finish: Satin Stainless steel (SSS). Other finishes are available upon request.

PH01BT-19X225	
	
PH01BT-19X225 CF	
	

SP300150B

